

เอกสารอ้างอิง

- (1) รัชณี รักวีระธรรม. ทัศนศาสตร์เชิงเรขาคณิต. กรุงเทพมหานคร : ภาควิชาฟิสิกส์ คณะวิทยาศาสตร์ จุฬาลงกรณ์มหาวิทยาลัย, (ม.ป.ป.)
- (2) ศักดา ศิริพันธุ์. เทคนิคและศิลปการถ่ายภาพ. พิมพ์ครั้งที่ 1 . พระนคร : บริษัทสำนักพิมพ์ ไทยวัฒนาพานิช จำกัด, 2521.
- (3) Brown, R.C. Light. London : Longmans, Green and Co., 1955.
- (4) Hardy, A.C., and Perrin, F.H. The principles of Optics. 1 st ed. New York : McGraw - Hill Book Co., 1976.
- (5) Houstoun, R.A. A Treatise on Light. London : Longmans, Green and Co., 1952.
- (6) James, J.F., and Sterberg R.S. The Design of Optical Spectrometers. London : Chapman and Hall Ltd., 1969.
- (7) Jenkins, F.A., and White, H.E. Fundamentals of Optics. 4 th ed. New York : McGraw - Hill Book Co., 1976.
- (8) Johnson, B.K. Optics and Optical Instruments. New York : Dover Publications, 1960.
- (9) Longhurst, R.S. Geometrical and Physical Optics. 2 nd ed. London : Longmans, 1967.
- (10) Martin, L.C. An Introduction to Applied Optics. London : Sir Isac Pitman & Sons, 1932.
- (11) Sawyer, R.A. Experimental Spectroscopy. 2 nd ed., New York : Prentics - Hall Inc., 1951.

- (12) Scott, R.M. " Optical Manufacturing ". In Applied Optics and Optical Engineering, pp. 83 - 84. Edited by Rudolf Kingslake. New York : Academic Press, 1965.
- (13) Sears, F.W. Optics. 3 rd ed. London : Addison - Wesley Publishing Co., 1964.
- (14) Shanon, R.R. " The Testing of Complete Object ". In Applied Optics and Optical Engineering, pp. 200 - 202. Edited by Rudolf Kingslake. New York : Academic Press, 1965.
- (15) Strong, J. Concepts of Classical Optics. San Francisco and London : W.H. Freeman and Co., 1958.
- (16) Strong, J. Procedures in Experimental Physics. Englewood Cliffs, N.J. : Prentics - Hall, 1938.
- (17) Valasek, J. Introduction to Theoretical and Experimental Optics. New York : John Willey & Sons, 1949.
- (18) Van Heel, A.C.S. Advanced Optical Techniques. Amsterdam : North - Holland Publishing Co., 1967.
- (19) Wheadon, R.A. The principle of Light and Optics. London : Longmans, Green and Co., 1968.

ภาคผนวก ก

โปรแกรม คอมพิวเตอร์

ชุดค่าความโค้งของผิวเลนส์, ค่าสัมประสิทธิ์ของความคลาดทรงกลม และของโคมา ในบทที่ 3 เป็นผลที่ได้จากการคำนวณด้วยเครื่องคอมพิวเตอร์ ใช้โปรแกรมที่เขียนเป็นภาษา โฟแทรน 4 ในภาคผนวกนี้ จะได้กล่าวถึงโปรแกรมที่ใช้ในการคำนวณ, ผังงาน, และผลจากการคำนวณด้วยเครื่องคอมพิวเตอร์ในลำดับต่อไป

ก 1. โปรแกรมหลัก

ค่าต่าง ๆ ที่สำคัญ ซึ่งจะคำนวณด้วยเครื่องคอมพิวเตอร์ ได้แก่ ชุดค่าความโค้งทั้ง 3 ของผิวเลนส์, ค่ารูปร่างของเลนส์, ค่าสัมประสิทธิ์ของความคลาดทรงกลมและของโคมา ล่มการที่ใช้คำนวณหาค่าต่าง ๆ ดังกล่าวข้างต้นสามารถใส่ให้อยู่ในโปรแกรมหลัก (main program) เพียงโปรแกรมเดียวได้ และเปลี่ยนตัวแปรต่าง ๆ ในล่มการดังกล่าวเป็นสัญลักษณ์ในโปรแกรมที่เขียนเป็นภาษาโฟแทรน ดังนี้

ตัวแปร	สัญลักษณ์ในโปรแกรม
C_i	C(I)
n_i	N(I)
k_i	K(I)
h_i	H1(I)
\bar{h}_i	H2(I)
A_i	A(I)
\bar{A}_i	B(I)
U_i	U1(I)
\bar{U}_i	U2(I)
$\Delta_i (U/n)$	DUN(I)

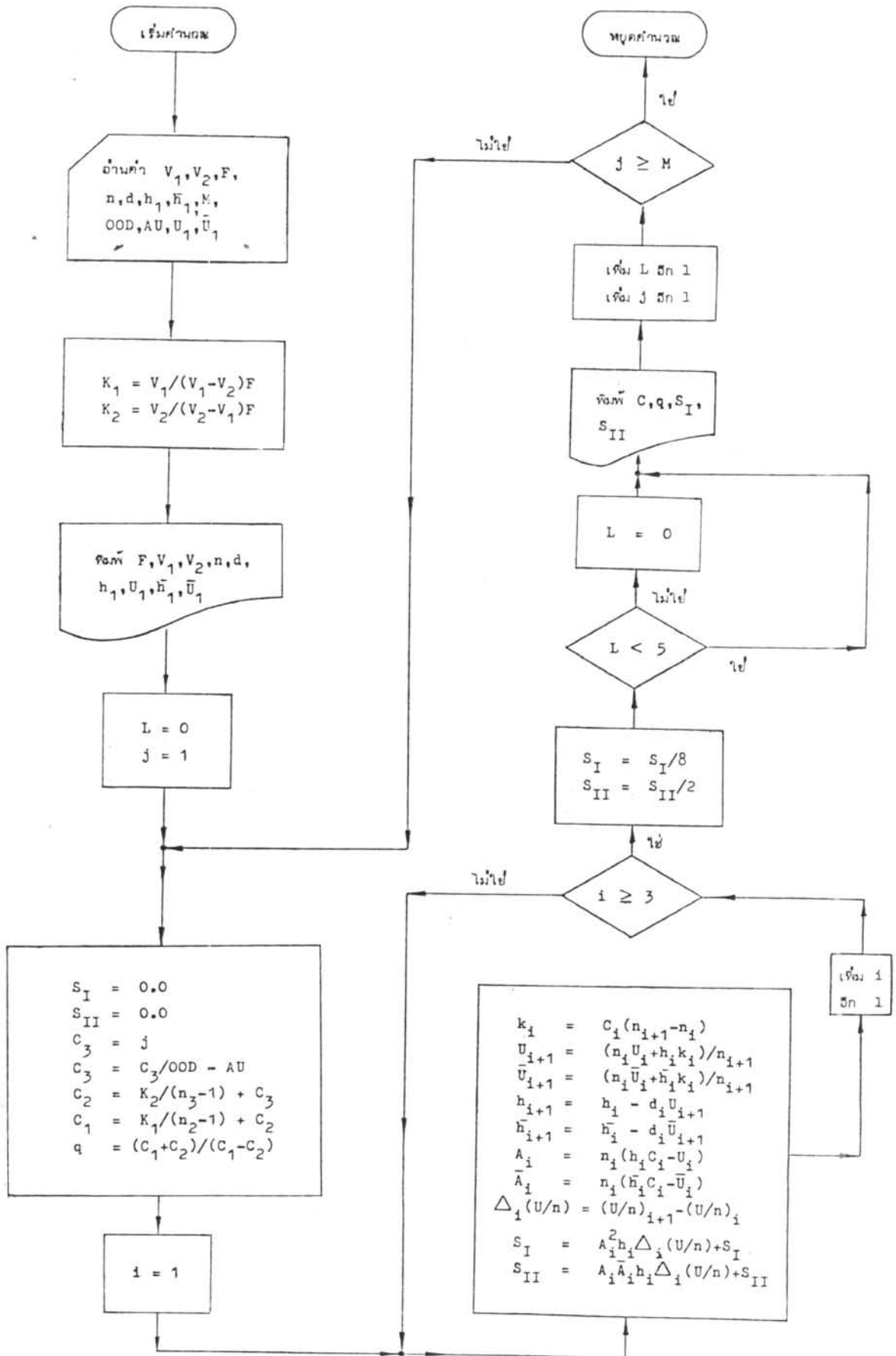
โปรแกรมที่ใช้คำนวณ แสดงได้ดังต่อไปนี้

```

DIMENSION H1(4),H2(4),U1(4),U2(4),N(4),K(3),A(3),B(3),C(3)
REAL N,K,K1,K2
5 READ(5,100,END=111)V1,V2,F,N,D,H1(1),H2(1),M,ØØD,AU,S,U1(1)
U2(1) = -S/F
K1 = V1/(V1-V2)/F
K2 = V2/(V2-V1)/F
WRITE(6,200)F,V1,V2,N,D,H1(1),U1(1),H2(1),U2(1)
L = 0
DØ 99 J = 1,M
SI =0.0
SII=0.0
C(3) = J
C(3) = C(3)/ØØD-AU
C(2) = K2/(N(3)-1.0)+C(3)
C(1) = K1/(N(2)-1.0)+C(2)
Q = (C(1)+C(2))/(C(1)-C(2))
DØ 10 I=1,3
K(I) = C(I)*(N(I+1)-N(I))
U1(I+1) = (N(I)*U1(I)+H1(I)*K(I))/N(I+1)
U2(I+1) = (N(I)*U2(I)+H2(I)*K(I))/N(I+1)
H1(I+1) = H1(I)-D*U1(I+1)
H2(I+1) = H2(I)-D*U2(I+1)
A(I) = N(I)*(H1(I)*C(I)-U1(I))
B(I) = N(I)*(H2(I)*C(I)-U2(I))
DUN = U1(I+1)/N(I+1)-U1(I)/N(I)
SI = A(I)**2*H1(I)*DUN+BI
SII= A(I)*B(I)*H(I)*DUN+SII
10 CØNTINUE
SI = SI/8
SII= SII/2
IF(L.LT.5)GØ TØ 88
WRITE(6,400)
L = 0
88 WRITE(6,300)C,Q,SI,SII
L = L+1
99 CØNTINUE
GØ TØ 5
100 FØRMAT(2F4.2,F2.0,4F6.5,3F2.1,I4,F5.0,F5.4,F3.2,F5.2)
200 FØRMAT('1',9X,'FØCAL LENGTH',3X,F6.2,2X,'CMS',//10X,'V-VALUES',
*'CRØWN GLASS',3X,'V(1)=' ,F6.2,/19X,'FLINT GLASS',3X,'V(2)=' ,
*F6.2,/10X,'INDEX ØF REFRACTION',4X,'N(1)=' ,F8.5,/33X,'N(2)=' ,
*F8.5,/33X,'N(3)=' ,F8.5,/33X,'N(4)=' ,F8.5,/10X,'THICKS ØF LENS',
*9X,'D(1)=' ,F6.2,4X,'CMS',/10X,'DIVERGENCE ANGLE',6X,'H1(1)=' ,
*F6.2,/32X,'U1(1)=' ,F6.2,/32X,'H2(1)=' ,F6.2,/32X,'U2(1)=' ,F6.2,//
*39X,'CURVATURE',39X'SPHERICAL',/23X,'SURFACE 1',7X,'SURFACE 2',
*7X,'SURFACE 3',5X,'SHAPE FACTØR',6X,'ABERRATION',8X,'CØMA',//)
300 FØRMAT(' ',18X,6(E14.7,2X))
400 FØRMAT(' ')
111 STØP
END

```

ก 2. ผังงาน



ก 3.1 ผลการคำนวณสำหรับการออกแบบรูปร่างของเลนส์คอลลิเมเตอร์

FOCAL LENGTH	25.00	CMS	
V=VALUES, CROWN GLASS	V(1)	=	56.90
FLINT GLASS	V(2)	=	32.02
INDEX OF REFRACTION	N(1)	=	1.00000
	N(2)	=	1.62280
	N(3)	=	1.69865
	N(4)	=	1.00000
THICKS OF LENS	D(1)	=	.50
DIVERGENCE ANGLE	H1(1)	=	2.00
	U1(1)	=	-.08
	H2(1)	=	.00
	U2(1)	=	-.02

SURFACE 1	CURVATURE SURFACE 2	SURFACE 3	SHAPE FACTOR	SPHERICAL ABERRATION	COMA
-.7680009-01	-.2236837 00	-.1500000 00	-.2045727 01	.1902206-02	-.4530981-03
-.7580009-01	-.2226837 00	-.1490000 00	-.2032111 01	.1853452-02	-.4466278-03
-.7480009-01	-.2216837 00	-.1480000 00	-.2018495 01	.1805505-02	-.4401718-03
-.7380009-01	-.2206837 00	-.1470000 00	-.2004879 01	.1758359-02	-.4337299-03
-.7280009-01	-.2196837 00	-.1460000 00	-.1991262 01	.1712006-02	-.4273021-03
-.7180009-01	-.2186837 00	-.1450000 00	-.1977646 01	.1666439-02	-.4208882-03
-.7080009-01	-.2176837 00	-.1440000 00	-.1964030 01	.1621653-02	-.4144885-03
-.6980009-01	-.2166837 00	-.1430000 00	-.1950414 01	.1577641-02	-.4081026-03
-.6880009-01	-.2156837 00	-.1420000 00	-.1936797 01	.1534396-02	-.4017306-03
-.6780009-01	-.2146837 00	-.1410000 00	-.1923181 01	.1491912-02	-.3953724-03
-.6680009-01	-.2136837 00	-.1400000 00	-.1909565 01	.1450182-02	-.3890279-03
-.6580009-01	-.2126837 00	-.1390000 00	-.1895949 01	.1409202-02	-.3826972-03
-.6480009-01	-.2116837 00	-.1380000 00	-.1882333 01	.1368964-02	-.3763800-03
-.6380009-01	-.2106837 00	-.1370000 00	-.1868716 01	.1329462-02	-.3700765-03
-.6280009-01	-.2096837 00	-.1360000 00	-.1855100 01	.1290690-02	-.3637864-03
-.6180009-01	-.2086837 00	-.1350000 00	-.1841484 01	.1252642-02	-.3575098-03
-.6080009-01	-.2076837 00	-.1340000 00	-.1827868 01	.1215312-02	-.3512466-03
-.5980009-01	-.2066837 00	-.1330000 00	-.1814251 01	.1178695-02	-.3449967-03
-.5880009-01	-.2056837 00	-.1320000 00	-.1800635 01	.1142784-02	-.3387601-03
-.5780009-01	-.2046837 00	-.1310000 00	-.1787019 01	.1107574-02	-.3325366-03
-.5680009-01	-.2036837 00	-.1300000 00	-.1773403 01	.1073059-02	-.3263264-03
-.5580009-01	-.2026837 00	-.1290000 00	-.1759787 01	.1039233-02	-.3201291-03
-.5480009-01	-.2016837 00	-.1280000 00	-.1746170 01	.1006091-02	-.3139448-03
-.5380009-01	-.2006837 00	-.1270000 00	-.1732554 01	.9736274-03	-.3077735-03
-.5280009-01	-.1996837 00	-.1260000 00	-.1718938 01	.9418363-03	-.3016150-03
-.5180009-01	-.1986837 00	-.1250000 00	-.1705322 01	.9107125-03	-.2954693-03
-.5080009-01	-.1976837 00	-.1240000 00	-.1691705 01	.8802506-03	-.2893364-03
-.4980009-01	-.1966837 00	-.1230000 00	-.1678089 01	.8504453-03	-.2832160-03
-.4880009-01	-.1956837 00	-.1220000 00	-.1664473 01	.8212913-03	-.2771082-03
-.4780009-01	-.1946837 00	-.1210000 00	-.1650857 01	.7927836-03	-.2710130-03
-.4680009-01	-.1936837 00	-.1200000 00	-.1637240 01	.7649167-03	-.2649301-03
-.4580009-01	-.1926837 00	-.1190000 00	-.1623624 01	.7376861-03	-.2588597-03
-.4480009-01	-.1916837 00	-.1180000 00	-.1610008 01	.7110863-03	-.2528015-03
-.4380009-01	-.1906837 00	-.1170000 00	-.1596392 01	.6851123-03	-.2467555-03
-.4280009-01	-.1896837 00	-.1160000 00	-.1582776 01	.6597593-03	-.2407216-03
-.4180009-01	-.1886837 00	-.1150000 00	-.1569159 01	.6350224-03	-.2346998-03
-.4080009-01	-.1876837 00	-.1140000 00	-.1555543 01	.6108969-03	-.2286900-03
-.3980009-01	-.1866837 00	-.1130000 00	-.1541927 01	.5873778-03	-.2226921-03
-.3880009-01	-.1856837 00	-.1120000 00	-.1528311 01	.5644607-03	-.2167060-03
-.3780009-01	-.1846837 00	-.1110000 00	-.1514694 01	.5421408-03	-.2107316-03

SURFACE 1	CURVATURE SURFACE 2	SURFACE 3	SHAPE FACTOR	SPHERICAL ABERRATION	COMA
-.3680009-01	-.1836837 00	-.1100000 00	-.1501078 01	.5204135-03	-.2047689-03
-.3580009-01	-.1826837 00	-.1090000 00	-.1487462 01	.4992741-03	-.1988178-03
-.3480009-01	-.1816837 00	-.1080000 00	-.1473846 01	.4787183-03	-.1928781-03
-.3380009-01	-.1806837 00	-.1070000 00	-.1460230 01	.4587417-03	-.1869500-03
-.3280009-01	-.1796837 00	-.1060000 00	-.1446613 01	.4393398-03	-.1810331-03
-.3180009-01	-.1786837 00	-.1050000 00	-.1432997 01	.4205083-03	-.1751275-03
-.3080009-01	-.1776837 00	-.1040000 00	-.1419381 01	.4022429-03	-.1692331-03
-.2980009-01	-.1766837 00	-.1030000 00	-.1405765 01	.3845394-03	-.1633497-03
-.2880009-01	-.1756837 00	-.1020000 00	-.1392148 01	.3673935-03	-.1574773-03
-.2780009-01	-.1746837 00	-.1010000 00	-.1378532 01	.3508013-03	-.1516159-03
-.2680009-01	-.1736837 00	-.1000000 00	-.1364916 01	.3347585-03	-.1457653-03
-.2580009-01	-.1726837 00	-.9900000-01	-.1351300 01	.3192613-03	-.1399255-03
-.2480009-01	-.1716837 00	-.9800000-01	-.1337684 01	.3043055-03	-.1340963-03
-.2380009-01	-.1706837 00	-.9700000-01	-.1324067 01	.2898873-03	-.1282777-03
-.2280009-01	-.1696837 00	-.9600000-01	-.1310451 01	.2760028-03	-.1224695-03
-.2180009-01	-.1686837 00	-.9500000-01	-.1296835 01	.2626482-03	-.1166718-03
-.2080009-01	-.1676837 00	-.9400000-01	-.1283219 01	.2498196-03	-.1108843-03
-.1980009-01	-.1666837 00	-.9300000-01	-.1269602 01	.2375135-03	-.1051071-03
-.1880009-01	-.1656837 00	-.9200000-01	-.1255986 01	.2257261-03	-.9933999-04
-.1780009-01	-.1646837 00	-.9100000-01	-.1242370 01	.2144537-03	-.9358291-04
-.1680009-01	-.1636837 00	-.9000000-01	-.1228754 01	.2036929-03	-.8783578-04
-.1580009-01	-.1626837 00	-.8900000-01	-.1215138 01	.1934400-03	-.8209846-04
-.1480009-01	-.1616837 00	-.8800000-01	-.1201521 01	.1836917-03	-.7637091-04
-.1380009-01	-.1606837 00	-.8700000-01	-.1187905 01	.1744445-03	-.7065304-04
-.1280009-01	-.1596837 00	-.8600000-01	-.1174289 01	.1656949-03	-.6494470-04
-.1180009-01	-.1586837 00	-.8500000-01	-.1160673 01	.1574398-03	-.5924587-04
-.1080009-01	-.1576837 00	-.8400000-01	-.1147056 01	.1496757-03	-.5355639-04
-.9800086-02	-.1566837 00	-.8300000-01	-.1133440 01	.1423994-03	-.4787618-04
-.8800087-02	-.1556837 00	-.8200000-01	-.1119824 01	.1356078-03	-.4220518-04
-.7800087-02	-.1546837 00	-.8100000-01	-.1106208 01	.1292977-03	-.3654325-04
-.6800087-02	-.1536837 00	-.8000000-01	-.1092592 01	.1234661-03	-.3089030-04
-.5800087-02	-.1526837 00	-.7900000-01	-.1078975 01	.1181097-03	-.2524623-04
-.4800087-02	-.1516837 00	-.7800000-01	-.1065359 01	.1132259-03	-.1961098-04
-.3800087-02	-.1506837 00	-.7700000-01	-.1051743 01	.1088114-03	-.1398439-04
-.2800087-02	-.1496837 00	-.7600000-01	-.1038127 01	.1048635-03	-.8366401-05
-.1800086-02	-.1486837 00	-.7500000-01	-.1024510 01	.1013791-03	-.2756892-05
-.8000862-03	-.1476837 00	-.7400000-01	-.1010894 01	.9835565-04	.2844219-05
.1999140-03	-.1466837 00	-.7300000-01	-.9972779 00	.9579025-04	.8437048-05
.1199914-02	-.1456837 00	-.7200000-01	-.9836617 00	.9368017-04	.1402169-04
.2199912-02	-.1446837 00	-.7100000-01	-.9700455 00	.9202280-04	.1959823-04
.3199913-02	-.1436837 00	-.7000000-01	-.9564293 00	.9081542-04	.2516682-04
.4199913-02	-.1426837 00	-.6900000-01	-.9428130 00	.9005547-04	.3072753-04
.5199913-02	-.1416837 00	-.6800000-01	-.9291968 00	.8974044-04	.3628046-04
.6199913-02	-.1406837 00	-.6700000-01	-.9155806 00	.8986782-04	.4182572-04
.7199913-02	-.1396837 00	-.6600000-01	-.9019644 00	.9043510-04	.4736344-04
.8199913-02	-.1386837 00	-.6500000-01	-.8883481 00	.9143992-04	.5289369-04
.9199914-02	-.1376837 00	-.6400000-01	-.8747319 00	.9287989-04	.5841660-04
.1019990-01	-.1366837 00	-.6300000-01	-.8611157 00	.9475272-04	.6393226-04
.1119991-01	-.1356837 00	-.6200000-01	-.8474994 00	.9705611-04	.6944079-04
.1219991-01	-.1346837 00	-.6100000-01	-.8338832 00	.9978780-04	.7494229-04
.1319991-01	-.1336837 00	-.6000000-01	-.8202670 00	.1029456-04	.8043687-04
.1419991-01	-.1326837 00	-.5900000-01	-.8066508 00	.1065274-04	.8592464-04
.1519991-01	-.1316837 00	-.5800000-01	-.7930346 00	.1105310-04	.9140572-04
.1619991-01	-.1306837 00	-.5700000-01	-.7794183 00	.1149544-04	.9688021-04
.1719991-01	-.1296837 00	-.5600000-01	-.7658021 00	.1197957-03	.1023482-03

SURFACE 1	CURVATURE SURFACE 2	SURFACE 3	SHAPE FACTOR	SPHERICAL ABERRATION	COMA
.1819991-01	-.1286837 00	-.5500000-01	-.7521859 00	.1250527-03	.1078098-03
.1919991-01	-.1276837 00	-.5400000-01	-.7385697 00	.1307236-03	.1132652-03
.2019991-01	-.1266837 00	-.5300000-01	-.7249534 00	.1368064-03	.1187145-03
.2119991-01	-.1256837 00	-.5200000-01	-.7113372 00	.1432993-03	.1241577-03
.2219991-01	-.1246837 00	-.5100000-01	-.6977210 00	.1502005-03	.1295949-03
.2319991-01	-.1236837 00	-.5000000-01	-.6841047 00	.1575082-03	.1350264-03
.2419991-01	-.1226837 00	-.4900000-01	-.6704885 00	.1652207-03	.1404522-03
.2519991-01	-.1216837 00	-.4800000-01	-.6568723 00	.1733362-03	.1458724-03
.2619991-01	-.1206837 00	-.4700000-01	-.6432561 00	.1818532-03	.1512871-03
.2719991-01	-.1196837 00	-.4600000-01	-.6296399 00	.1907701-03	.1566965-03
.2819991-01	-.1186837 00	-.4500000-01	-.6160236 00	.2000852-03	.1621006-03
.2919991-01	-.1176837 00	-.4400000-01	-.6024074 00	.2097970-03	.1674996-03
.3019991-01	-.1166837 00	-.4300000-01	-.5887912 00	.2199040-03	.1728937-03
.3119991-01	-.1156837 00	-.4200000-01	-.5751750 00	.2304049-03	.1782838-03
.3219991-01	-.1146837 00	-.4100000-01	-.5615587 00	.2412980-03	.1836672-03
.3319991-01	-.1136837 00	-.4000000-01	-.5479425 00	.2525822-03	.1890469-03
.3419991-01	-.1126837 00	-.3900000-01	-.5343263 00	.2642561-03	.1944221-03
.3519991-01	-.1116837 00	-.3800000-01	-.5207100 00	.2763183-03	.1997929-03
.3619991-01	-.1106837 00	-.3700000-01	-.5070938 00	.2887677-03	.2051593-03
.3719991-01	-.1096837 00	-.3600000-01	-.4934776 00	.3016029-03	.2105216-03
.3819991-01	-.1086837 00	-.3500000-01	-.4798614 00	.3148229-03	.2158799-03
.3919991-01	-.1076837 00	-.3400000-01	-.4662452 00	.3284264-03	.2212342-03
.4019991-01	-.1066837 00	-.3300000-01	-.4526289 00	.3424124-03	.2265847-03
.4119991-01	-.1056837 00	-.3200000-01	-.4390127 00	.3567799-03	.2319315-03
.4219991-01	-.1046837 00	-.3100000-01	-.4253965 00	.3715277-03	.2372747-03
.4319991-01	-.1036837 00	-.3000000-01	-.4117802 00	.3866549-03	.2426145-03
.4419991-01	-.1026837 00	-.2900000-01	-.3981640 00	.4021606-03	.2479510-03
.4519991-01	-.1016837 00	-.2800000-01	-.3845478 00	.4180438-03	.2532842-03
.4619991-01	-.1006837 00	-.2700000-01	-.3709316 00	.4343037-03	.2586144-03
.4719991-01	-.9968367-01	-.2600000-01	-.3573153 00	.4509394-03	.2639416-03
.4819991-01	-.9868368-01	-.2500000-01	-.3436991 00	.4679500-03	.2692660-03
.4919991-01	-.9768368-01	-.2400000-01	-.3300829 00	.4853350-03	.2745876-03
.5019991-01	-.9668368-01	-.2300000-01	-.3164667 00	.5030934-03	.2799067-03
.5119991-01	-.9568368-01	-.2200000-01	-.3028505 00	.5212246-03	.2852233-03
.5219991-01	-.9468368-01	-.2100000-01	-.2892342 00	.5397281-03	.2905376-03
.5319991-01	-.9368367-01	-.2000000-01	-.2756180 00	.5586030-03	.2958497-03
.5419991-01	-.9268367-01	-.1900000-01	-.2620018 00	.5778489-03	.3011597-03
.5519991-01	-.9168367-01	-.1800000-01	-.2483855 00	.5974652-03	.3064674-03
.5619991-01	-.9068367-01	-.1700000-01	-.2347693 00	.6174513-03	.3117740-03
.5719991-01	-.8968367-01	-.1600000-01	-.2211531 00	.6378069-03	.3170785-03
.5819991-01	-.8868367-01	-.1500000-01	-.2075369 00	.6585314-03	.3223815-03
.5919991-01	-.8768368-01	-.1400000-01	-.1939207 00	.6796243-03	.3276830-03
.6019991-01	-.8668368-01	-.1300000-01	-.1803044 00	.7010855-03	.3329832-03
.6119991-01	-.8568368-01	-.1200000-01	-.1666882 00	.7229144-03	.3382822-03
.6219991-01	-.8468368-01	-.1100000-01	-.1530720 00	.7451104-03	.3435801-03
.6319991-01	-.8368368-01	-.1000000-01	-.1394558 00	.7676745-03	.3488771-03
.6419991-01	-.8268367-01	-.9000001-02	-.1258395 00	.7906052-03	.3541734-03
.6519991-01	-.8168367-01	-.8000001-02	-.1122233 00	.8139026-03	.3594689-03
.6619991-01	-.8068367-01	-.7000001-02	-.9860707-01	.8375666-03	.3647639-03
.6719991-01	-.7968367-01	-.6000001-02	-.8499085-01	.8615970-03	.3700586-03
.6819991-01	-.7868367-01	-.5000001-02	-.7137462-01	.8859938-03	.3753529-03
.6919991-01	-.7768367-01	-.4000001-02	-.5775839-01	.9107568-03	.3806471-03
.7019991-01	-.7668368-01	-.3000002-02	-.4411219-01	.9358860-03	.3859413-03
.7119991-01	-.7568368-01	-.2000002-02	-.3052596-01	.9613814-03	.3912356-03
.7219991-01	-.7468368-01	-.1000002-02	-.1690974-01	.9872431-03	.3965302-03

SURFACE 1	CURVATURE SURFACE 2	SURFACE 3	SHAPE FACTOR	SPHERICAL ABERRATION	COMA
.7319991-01	-.7368368-01	-.1862645-08	-.3293509-02	.1013471-02	.4018251-03
.7419991-01	-.7268268-01	.9999983-03	.1032272-01	.1040065-02	.4071206-03
.7519991-01	-.7168368-01	.1999998-02	.2393895-01	.1067026-02	.4124168-03
.7619991-01	-.7068367-01	.2999999-02	.3755517-01	.1094354-02	.4177137-03
.7719991-01	-.6968367-01	.3999999-02	.51117140-01	.1122048-02	.4230115-03
.7819991-01	-.6868367-01	.4999999-02	.6478763-01	.1150109-02	.4283105-03
.7919991-01	-.6768367-01	.5999999-02	.7840385-01	.1178538-02	.4336106-03
.8019991-01	-.6668367-01	.6999999-02	.9202008-01	.1207334-02	.4389120-03
.8119991-01	-.6568367-01	.7999999-02	.1056363 00	.1236498-02	.4442149-03
.8219991-01	-.6468368-01	.8999998-02	.1192525 00	.1266030-02	.4495194-03
.8319991-01	-.6368368-01	.9999998-02	.1328687 00	.1295931-02	.4548256-03
.8419991-01	-.6268368-01	.1100000-01	.1464850 00	.1326200-02	.4601337-03
.8519991-01	-.6168368-01	.1200000-01	.1601012 00	.1356839-02	.4654439-03
.8619991-01	-.6068368-01	.1300000-01	.1737174 00	.1387848-02	.4707562-03
.8719991-01	-.5968367-01	.1400000-01	.1873336 00	.1419227-02	.4760707-03
.8819991-01	-.5868367-01	.1500000-01	.2009499 00	.1450977-02	.4813877-03
.8919991-01	-.5768367-01	.1600000-01	.2145661 00	.1483099-02	.4867073-03
.9019991-01	-.5668367-01	.1700000-01	.2281823 00	.1515592-02	.4920295-03
.9119991-01	-.5568367-01	.1800000-01	.2417986 00	.1548458-02	.4973546-03
.9219991-01	-.5468367-01	.1900000-01	.2554148 00	.1581697-02	.5026826-03
.9319991-01	-.5368368-01	.2000000-01	.2690310 00	.1615310-02	.5080138-03
.9419991-01	-.5268368-01	.2100000-01	.2826472 00	.1649298-02	.5133482-03
.9519991-01	-.5168368-01	.2200000-01	.2962634 00	.1683661-02	.5186681-03
.9619991-01	-.5068368-01	.2300000-01	.3098797 00	.1718400-02	.5240274-03
.9719991-01	-.4968368-01	.2400000-01	.3234959 00	.1753516-02	.5293725-03
.9819991-01	-.4868368-01	.2500000-01	.3371121 00	.1789009-02	.5347213-03
.9919991-01	-.4768367-01	.2600000-01	.3507283 00	.1824881-02	.5400740-03
.1001999 00	-.4668367-01	.2700000-01	.3643446 00	.1861132-02	.5454311-03
.1011999 00	-.4568367-01	.2800000-01	.3779608 00	.1897764-02	.5507922-03
.1021999 00	-.4468367-01	.2900000-01	.3915770 00	.1934776-02	.5561577-03
.1031999 00	-.4368367-01	.3000000-01	.4051933 00	.1972171-02	.5615278-03
.1041999 00	-.4268368-01	.3100000-01	.4188095 00	.2009948-02	.5669025-03
.1051999 00	-.4168368-01	.3200000-01	.4324257 00	.2048110-02	.5722821-03
.1061999 00	-.4068368-01	.3300000-01	.4460419 00	.2086657-02	.5776665-03
.1071999 00	-.3968368-01	.3400000-01	.4596581 00	.2125590-02	.5830561-03
.1081999 00	-.3868368-01	.3500000-01	.4732744 00	.2164910-02	.5884509-03
.1091999 00	-.3768368-01	.3600000-01	.4868906 00	.2204619-02	.5938511-03
.1101999 00	-.3668367-01	.3700000-01	.5005068 00	.2244717-02	.5992568-03
.1111999 00	-.3568367-01	.3800000-01	.5141231 00	.2285205-02	.6046682-03
.1121999 00	-.3468367-01	.3900000-01	.5277393 00	.2326086-02	.6100854-03
.1131999 00	-.3368367-01	.4000000-01	.5413555 00	.2367359-02	.6155085-03
.1141999 00	-.3268367-01	.4100000-01	.5549717 00	.2409027-02	.6209378-03
.1151999 00	-.3168367-01	.4200000-01	.5685880 00	.2451090-02	.6263733-03
.1161999 00	-.3068368-01	.4300000-01	.5822042 00	.2493550-02	.6318151-03
.1171999 00	-.2968368-01	.4400000-01	.5958204 00	.2536409-02	.6372635-03
.1181999 00	-.2868368-01	.4500000-01	.6094366 00	.2579666-02	.6427186-03
.1191999 00	-.2768368-01	.4600000-01	.6230528 00	.2623325-02	.6481805-03
.1201999 00	-.2668368-01	.4700000-01	.6366691 00	.2667386-02	.6536494-03
.1211999 00	-.2568367-01	.4800000-01	.6502853 00	.2711850-02	.6591254-03
.1221999 00	-.2468367-01	.4900000-01	.6639015 00	.2756719-02	.6646087-03
.1231999 00	-.2368367-01	.5000000-01	.6775177 00	.2801995-02	.6700993-03
.1241999 00	-.2268367-01	.5100000-01	.6911340 00	.2847680-02	.6755976-03
.1251999 00	-.2168367-01	.5200000-01	.7047502 00	.2893773-02	.6811035-03
.1261999 00	-.2068367-01	.5300000-01	.7183664 00	.2940278-02	.6866172-03
.1271999 00	-.1968368-01	.5400000-01	.7319826 00	.2987195-02	.6921390-03

SURFACE 1	CURVATURE SURFACE 2	SURFACE 3	SHAPE FACTOR	SPHERICAL ABERRATION	COMA
.1281999 00	-.1868368-01	.5500000-01	.7455989 00	.3034527-02	.6976689-03
.1291999 00	-.1768368-01	.5600000-01	.7592151 00	.3082274-02	.7032071-03
.1301999 00	-.1668368-01	.5700000-01	.7728313 00	.3130439-02	.7087538-03
.1311999 00	-.1568368-01	.5800000-01	.7864475 00	.3179023-02	.7143090-03
.1321999 00	-.1468368-01	.5900000-01	.8000638 00	.3228028-02	.7198729-03
.1331999 00	-.1368367-01	.6000000-01	.8136800 00	.3277455-02	.7254458-03
.1341999 00	-.1268367-01	.6100000-01	.8272962 00	.3327306-02	.7310277-03
.1351999 00	-.1168367-01	.6200000-01	.8409125 00	.3377584-02	.7366187-03
.1361999 00	-.1068367-01	.6300000-01	.8545287 00	.3428289-02	.7422191-03
.1371999 00	-.9683674-02	.6400000-01	.8681449 00	.3479424-02	.7478289-03
.1381999 00	-.8683676-02	.6500000-01	.8817611 00	.3530990-02	.7534484-03
.1391999 00	-.7683676-02	.6600000-01	.8953773 00	.3582989-02	.7590776-03
.1401999 00	-.6683676-02	.6700000-01	.9089936 00	.3635423-02	.7647169-03
.1411999 00	-.5683675-02	.6800000-01	.9226098 00	.3688294-02	.7703661-03
.1421999 00	-.4683675-02	.6900000-01	.9362260 00	.3741604-02	.7760256-03
.1431999 00	-.3683675-02	.7000000-01	.9498422 00	.3795355-02	.7816954-03
.1441999 00	-.2683675-02	.7100000-01	.9634585 00	.3849549-02	.7873758-03
.1451999 00	-.1683675-02	.7200000-01	.9770747 00	.3904187-02	.7930668-03
.1461999 00	-.6836746-03	.7300000-01	.9906909 00	.3959272-02	.7987687-03
.1471999 00	.3163256-03	.7400000-01	.1004307 01	.4014805-02	.8044816-03
.1481999 00	.1316326-02	.7500000-01	.1017923 01	.4070789-02	.8102055-03
.1491999 00	.2316326-02	.7600000-01	.1031540 01	.4127226-02	.8159408-03
.1501999 00	.3316324-02	.7700000-01	.1045156 01	.4184117-02	.8216874-03
.1511999 00	.4316324-02	.7800000-01	.1058772 01	.4241466-02	.8274457-03
.1521999 00	.5316325-02	.7900000-01	.1072388 01	.4299274-02	.8332157-03
.1531999 00	.6316325-02	.8000000-01	.1086004 01	.4357542-02	.8389975-03
.1541999 00	.7316325-02	.8100000-01	.1099621 01	.4416274-02	.8447914-03
.1551999 00	.8316325-02	.8200000-01	.1113237 01	.4475472-02	.8505975-03
.1561999 00	.9316325-02	.8300000-01	.1126853 01	.4535137-02	.8564159-03
.1571999 00	.1031633-01	.8400000-01	.1140469 01	.4595272-02	.8622468-03
.1581999 00	.1131633-01	.8500000-01	.1154086 01	.4655879-02	.8680903-03
.1591999 00	.1231633-01	.8600000-01	.1167702 01	.4716960-02	.8739467-03
.1601999 00	.1331633-01	.8700000-01	.1181318 01	.4778519-02	.8798159-03
.1611999 00	.1431632-01	.8800000-01	.1194934 01	.4840555-02	.8856983-03
.1621999 00	.1531632-01	.8900000-01	.1208551 01	.4903074-02	.8915939-03
.1631999 00	.1631632-01	.9000000-01	.1222167 01	.4966076-02	.8975029-03
.1641999 00	.1731632-01	.9100000-01	.1235783 01	.5029563-02	.9034254-03
.1651999 00	.1831632-01	.9200000-01	.1249399 01	.5093539-02	.9093617-03
.1661999 00	.1931632-01	.9300000-01	.1263015 01	.5158006-02	.9153118-03
.1671999 00	.2031633-01	.9400000-01	.1276632 01	.5222966-02	.9212760-03
.1681999 00	.2131633-01	.9500000-01	.1290248 01	.5288421-02	.9272543-03
.1691999 00	.2231633-01	.9600000-01	.1303864 01	.5354374-02	.9332468-03
.1701999 00	.2331633-01	.9700000-01	.1317480 01	.5420828-02	.9392539-03
.1711999 00	.2431633-01	.9800000-01	.1331097 01	.5487784-02	.9452756-03
.1721999 00	.2531633-01	.9900000-01	.1344713 01	.5555246-02	.9513121-03
.1731999 00	.2631632-01	.1000000 00	.1358329 01	.5623215-02	.9573635-03
.1741999 00	.2731632-01	.1010000 00	.1371945 01	.5691695-02	.9634300-03
.1751999 00	.2831632-01	.1020000 00	.1385561 01	.5760688-02	.9695117-03
.1761999 00	.2931632-01	.1030000 00	.1399178 01	.5830197-02	.9756088-03
.1771999 00	.3031632-01	.1040000 00	.1412794 01	.5900223-02	.9817219-03
.1781999 00	.3131632-01	.1050000 00	.1426410 01	.5970770-02	.9878499-03
.1791999 00	.3231633-01	.1060000 00	.1440026 01	.6041841-02	.9939941-03
.1801999 00	.3331632-01	.1070000 00	.1453643 01	.6113438-02	.1000154-02
.1811999 00	.3431633-01	.1080000 00	.1467259 01	.6185563-02	.1006331-02
.1821999 00	.3531632-01	.1090000 00	.1480875 01	.6258219-02	.1012523-02

SURFACE 1	CURVATURE SURFACE 2	SURFACE 3	SHAPE FACTOR	SPHERICAL ABERRATION	COMA
.1831999 00	.3631632-01	.1100000 00	.1494491 01	.6331410-02	.1018732-02
.1841999 00	.3731632-01	.1110000 00	.1508107 01	.6405136-02	.1024958-02
.1851999 00	.3831632-01	.1120000 00	.1521724 01	.6479402-02	.1031201-02
.1861999 00	.3931632-01	.1130000 00	.1535340 01	.6554211-02	.1037460-02
.1871999 00	.4031632-01	.1140000 00	.1548956 01	.6629564-02	.1043737-02
.1881999 00	.4131632-01	.1150000 00	.1562572 01	.6705465-02	.1050031-02
.1891999 00	.4231632-01	.1160000 00	.1576189 01	.6781916-02	.1056342-02
.1901999 00	.4331633-01	.1170000 00	.1589805 01	.6858921-02	.1062671-02
.1911999 00	.4431632-01	.1180000 00	.1603421 01	.6936481-02	.1069017-02
.1921999 00	.4531633-01	.1190000 00	.1617037 01	.7014600-02	.1075381-02
.1931999 00	.4631632-01	.1200000 00	.1630653 01	.7093281-02	.1081764-02
.1941999 00	.4731633-01	.1210000 00	.1644270 01	.7172526-02	.1088164-02
.1951999 00	.4831632-01	.1220000 00	.1657886 01	.7252339-02	.1094583-02
.1961999 00	.4931632-01	.1230000 00	.1671502 01	.7332722-02	.1101020-02
.1971999 00	.5031632-01	.1240000 00	.1685118 01	.7413678-02	.1107476-02
.1981999 00	.5131632-01	.1250000 00	.1698735 01	.7495210-02	.1113951-02
.1991999 00	.5231632-01	.1260000 00	.1712351 01	.7577321-02	.1120444-02
.2001999 00	.5331632-01	.1270000 00	.1725967 01	.7660014-02	.1126957-02
.2011999 00	.5431633-01	.1280000 00	.1739583 01	.7743293-02	.1133489-02
.2021999 00	.5531632-01	.1290000 00	.1753200 01	.7827158-02	.1140040-02
.2031999 00	.5631633-01	.1300000 00	.1766816 01	.7911616-02	.1146611-02
.2041999 00	.5731632-01	.1310000 00	.1780432 01	.7996666-02	.1153202-02
.2051999 00	.5831633-01	.1320000 00	.1794048 01	.8082314-02	.1159812-02
.2061999 00	.5931632-01	.1330000 00	.1807664 01	.8168562-02	.1166443-02
.2071999 00	.6031632-01	.1340000 00	.1821281 01	.8255412-02	.1173094-02
.2081999 00	.6131632-01	.1350000 00	.1834897 01	.8342869-02	.1179765-02
.2091999 00	.6231632-01	.1360000 00	.1848513 01	.8430934-02	.1186456-02
.2101999 00	.6331632-01	.1370000 00	.1862129 01	.8519612-02	.1193168-02
.2111999 00	.6431632-01	.1380000 00	.1875746 01	.8608905-02	.1199901-02
.2121999 00	.6531633-01	.1390000 00	.1889362 01	.8698817-02	.1206655-02
.2131999 00	.6631632-01	.1400000 00	.1902978 01	.8789350-02	.1213430-02
.2141999 00	.6731633-01	.1410000 00	.1916594 01	.8880508-02	.1220227-02
.2151999 00	.6831632-01	.1420000 00	.1930210 01	.8972294-02	.1227044-02
.2161999 00	.6931633-01	.1430000 00	.1943827 01	.9064711-02	.1233884-02
.2171999 00	.7031632-01	.1440000 00	.1957443 01	.9157761-02	.1240745-02
.2181999 00	.7131632-01	.1450000 00	.1971059 01	.9251449-02	.1247628-02
.2191999 00	.7231632-01	.1460000 00	.1984675 01	.9345778-02	.1254533-02
.2201999 00	.7331632-01	.1470000 00	.1998292 01	.9440750-02	.1261460-02
.2211999 00	.7431632-01	.1480000 00	.2011908 01	.9536970-02	.1268409-02
.2221999 00	.7531632-01	.1490000 00	.2025524 01	.9632639-02	.1275381-02
.2231999 00	.7631632-01	.1500000 00	.2039140 01	.9729562-02	.1282376-02

ก 3.2 ผลการคำนวณสำหรับารออกแบบรูปร่างของเลนส์โทรทรรศน์

FOCAL LENGTH 25.00 CMS
 V=VALUES,CROWN GLASS V(1) = 56.90
 FLINT GLASS V(2) = 32.02
 INDEX OF REFRACTION N(1) = 1.00000
 N(2) = 1.62280
 N(3) = 1.69865
 N(4) = 1.00000
 THICKS OF LENS D(1) = .50 CMS
 DIVERGENCE ANGLE H1(1) = 2.00
 U1(1) = .00
 H2(1) = .00
 U2(1) = -.02

SURFACE 1	CURVATURE SURFACE 2	SURFACE 3	SHAPE FACTOR	SPHERICAL ABERRATION	COMA
-.7680009-01	-.2236837 00	-.1500000 00	-.2045727 01	.4230766-02	-.7069528-03
-.7580009-01	-.2226837 00	-.1490000 00	-.2032111 01	.4158209-02	-.7014551-03
-.7480009-01	-.2216837 00	-.1480000 00	-.2018495 01	.4086501-02	-.6959653-03
-.7380009-01	-.2206837 00	-.1470000 00	-.2004879 01	.4015634-02	-.6904838-03
-.7280009-01	-.2196837 00	-.1460000 00	-.1991262 01	.3945602-02	-.6850102-03
-.7180009-01	-.2186837 00	-.1450000 00	-.1977646 01	.3876397-02	-.6795446-03
-.7080009-01	-.2176837 00	-.1440000 00	-.1964030 01	.3808014-02	-.6740869-03
-.6980009-01	-.2166837 00	-.1430000 00	-.1950414 01	.3740445-02	-.6686371-03
-.6880009-01	-.2156837 00	-.1420000 00	-.1936797 01	.3673685-02	-.6631952-03
-.6780009-01	-.2146837 00	-.1410000 00	-.1923181 01	.3607725-02	-.6577611-03
-.6680009-01	-.2136837 00	-.1400000 00	-.1909565 01	.3542560-02	-.6523346-03
-.6580009-01	-.2126837 00	-.1390000 00	-.1895949 01	.3478184-02	-.6469160-03
-.6480009-01	-.2116837 00	-.1380000 00	-.1882333 01	.3414590-02	-.6415051-03
-.6380009-01	-.2106837 00	-.1370000 00	-.1868716 01	.3351772-02	-.6361017-03
-.6280009-01	-.2096837 00	-.1360000 00	-.1855100 01	.3289722-02	-.6307059-03
-.6180009-01	-.2086837 00	-.1350000 00	-.1841484 01	.3228437-02	-.6253177-03
-.6080009-01	-.2076837 00	-.1340000 00	-.1827868 01	.3167908-02	-.6199369-03
-.5980009-01	-.2066837 00	-.1330000 00	-.1814251 01	.3108131-02	-.6145635-03
-.5880009-01	-.2056837 00	-.1320000 00	-.1800635 01	.3049098-02	-.6091975-03
-.5780009-01	-.2046837 00	-.1310000 00	-.1787019 01	.2990804-02	-.6038388-03
-.5680009-01	-.2036837 00	-.1300000 00	-.1773403 01	.2933243-02	-.5984875-03
-.5580009-01	-.2026837 00	-.1290000 00	-.1759787 01	.2876410-02	-.5931433-03
-.5480009-01	-.2016837 00	-.1280000 00	-.1746170 01	.2820297-02	-.5878064-03
-.5380009-01	-.2006837 00	-.1270000 00	-.1732554 01	.2764901-02	-.5824765-03
-.5280009-01	-.1996837 00	-.1260000 00	-.1718938 01	.2710214-02	-.5771537-03
-.5180009-01	-.1986837 00	-.1250000 00	-.1705322 01	.2656231-02	-.5718379-03
-.5080009-01	-.1976837 00	-.1240000 00	-.1691705 01	.2602947-02	-.5665291-03
-.4980009-01	-.1966837 00	-.1230000 00	-.1678089 01	.2550356-02	-.5612271-03
-.4880009-01	-.1956837 00	-.1220000 00	-.1664473 01	.2498452-02	-.5559320-03
-.4780009-01	-.1946837 00	-.1210000 00	-.1650857 01	.2447231-02	-.5506437-03
-.4680009-01	-.1936837 00	-.1200000 00	-.1637240 01	.2396686-02	-.5453620-03
-.4580009-01	-.1926837 00	-.1190000 00	-.1623624 01	.2346813-02	-.5400871-03
-.4480009-01	-.1916837 00	-.1180000 00	-.1610008 01	.2297606-02	-.5348187-03
-.4380009-01	-.1906837 00	-.1170000 00	-.1596392 01	.2249060-02	-.5295570-03
-.4280009-01	-.1896837 00	-.1160000 00	-.1582776 01	.2201169-02	-.5243016-03
-.4180009-01	-.1886837 00	-.1150000 00	-.1569159 01	.2153929-02	-.5190528-03
-.4080009-01	-.1876837 00	-.1140000 00	-.1555543 01	.2107334-02	-.5138102-03
-.3980009-01	-.1866837 00	-.1130000 00	-.1541927 01	.2061379-02	-.5085740-03
-.3880009-01	-.1856837 00	-.1120000 00	-.1528311 01	.2016061-02	-.5033440-03
-.3780009-01	-.1846837 00	-.1110000 00	-.1514694 01	.1971372-02	-.4981201-03

SURFACE 1	CURVATURE SURFACE 2	SURFACE 3	SHAPE FACTOR	SPHERICAL ABERRATION	COMA
-.3680009-01	-.1836837 00	-.1100000 00	-.1501078 01	.1927309-02	-.4929024-03
-.3580009-01	-.1826837 00	-.1090000 00	-.1487462 01	.1883867-02	-.4876907-03
-.3480009-01	-.1816837 00	-.1080000 00	-.1473846 01	.1841042-02	-.4824850-03
-.3380009-01	-.1806837 00	-.1070000 00	-.1460230 01	.1798827-02	-.4772852-03
-.3280009-01	-.1796837 00	-.1060000 00	-.1446613 01	.1757219-02	-.4720913-03
-.3180009-01	-.1786837 00	-.1050000 00	-.1432997 01	.1716214-02	-.4669031-03
-.3080009-01	-.1776837 00	-.1040000 00	-.1419381 01	.1675805-02	-.4617206-03
-.2980009-01	-.1766837 00	-.1030000 00	-.1405765 01	.1635990-02	-.4565438-03
-.2880009-01	-.1756837 00	-.1020000 00	-.1392148 01	.1596763-02	-.4513725-03
-.2780009-01	-.1746837 00	-.1010000 00	-.1378532 01	.1558120-02	-.4462068-03
-.2680009-01	-.1736837 00	-.1000000 00	-.1364916 01	.1520056-02	-.4410464-03
-.2580009-01	-.1726837 00	-.9900000-01	-.1351300 01	.1482569-02	-.4358915-03
-.2480009-01	-.1716837 00	-.9800000-01	-.1337684 01	.1445652-02	-.4307418-03
-.2380009-01	-.1706837 00	-.9700000-01	-.1324067 01	.1409301-02	-.4255973-03
-.2280009-01	-.1696837 00	-.9600000-01	-.1310451 01	.1373514-02	-.4204580-03
-.2180009-01	-.1686837 00	-.9500000-01	-.1296835 01	.1338285-02	-.4153237-03
-.2080009-01	-.1676837 00	-.9400000-01	-.1283219 01	.1303610-02	-.4101945-03
-.1980009-01	-.1666837 00	-.9300000-01	-.1269602 01	.1269486-02	-.4050701-03
-.1880009-01	-.1656837 00	-.9200000-01	-.1255986 01	.1235908-02	-.3999506-03
-.1780009-01	-.1646837 00	-.9100000-01	-.1242370 01	.1202873-02	-.3948359-03
-.1680009-01	-.1636837 00	-.9000000-01	-.1228754 01	.1170376-02	-.3897259-03
-.1580009-01	-.1626837 00	-.8900000-01	-.1215138 01	.1138413-02	-.3846205-03
-.1480009-01	-.1616837 00	-.8800000-01	-.1201521 01	.1106982-02	-.3795196-03
-.1380009-01	-.1606837 00	-.8700000-01	-.1187905 01	.1076078-02	-.3744232-03
-.1280009-01	-.1596837 00	-.8600000-01	-.1174289 01	.1045697-02	-.3693312-03
-.1180009-01	-.1586837 00	-.8500000-01	-.1160673 01	.1015835-02	-.3642434-03
-.1080009-01	-.1576837 00	-.8400000-01	-.1147056 01	.9864904-03	-.3591600-03
-.9800086-02	-.1566837 00	-.8300000-01	-.1133440 01	.9576578-03	-.3540807-03
-.8800087-02	-.1556837 00	-.8200000-01	-.1119824 01	.9293341-03	-.3490054-03
-.7800087-02	-.1546837 00	-.8100000-01	-.1106208 01	.9015159-03	-.3439341-03
-.6800087-02	-.1536837 00	-.8000000-01	-.1092592 01	.8741998-03	-.3388667-03
-.5800087-02	-.1526837 00	-.7900000-01	-.1078975 01	.8473822-03	-.3338032-03
-.4800087-02	-.1516837 00	-.7800000-01	-.1065359 01	.8210599-03	-.3287434-03
-.3800087-02	-.1506837 00	-.7700000-01	-.1051743 01	.7952298-03	-.3236873-03
-.2800087-02	-.1496837 00	-.7600000-01	-.1038127 01	.7698883-03	-.3186347-03
-.1800086-02	-.1486837 00	-.7500000-01	-.1024510 01	.7450321-03	-.3135856-03
-.8000862-03	-.1476837 00	-.7400000-01	-.1010894 01	.7206584-03	-.3085399-03
.1999140-03	-.1466837 00	-.7300000-01	-.9972779 00	.6967639-03	-.3034976-03
.1199914-02	-.1456837 00	-.7200000-01	-.9836617 00	.6733454-03	-.2984585-03
.2199912-02	-.1446837 00	-.7100000-01	-.9700455 00	.6503999-03	-.2934225-03
.3199913-02	-.1436837 00	-.7000000-01	-.9564293 00	.6279246-03	-.2883897-03
.4199913-02	-.1426837 00	-.6900000-01	-.9428130 00	.6059162-03	-.2833598-03
.5199913-02	-.1416837 00	-.6800000-01	-.9291968 00	.5843720-03	-.2783327-03
.6199913-02	-.1406837 00	-.6700000-01	-.9155806 00	.5632890-03	-.2733085-03
.7199913-02	-.1396837 00	-.6600000-01	-.9019644 00	.5426645-03	-.2682870-03
.8199913-02	-.1386837 00	-.6500000-01	-.8883481 00	.5224956-03	-.2632682-03
.9199914-02	-.1376837 00	-.6400000-01	-.8747319 00	.5027796-03	-.2582518-03
.1019990-01	-.1366837 00	-.6300000-01	-.8611157 00	.4835137-03	-.2532380-03
.1119991-01	-.1356837 00	-.6200000-01	-.8474994 00	.4646954-03	-.2482264-03
.1219991-01	-.1346837 00	-.6100000-01	-.8338832 00	.4463220-03	-.2432172-03
.1319991-01	-.1336837 00	-.6000000-01	-.8202670 00	.4283908-03	-.2382101-03
.1419991-01	-.1326837 00	-.5900000-01	-.8066508 00	.4108994-03	-.2332051-03
.1519991-01	-.1316837 00	-.5800000-01	-.7930346 00	.3938452-03	-.2282021-03
.1619991-01	-.1306837 00	-.5700000-01	-.7794183 00	.3772258-03	-.2232010-03
.1719991-01	-.1296837 00	-.5600000-01	-.7658021 00	.3610387-03	-.2182017-03

SURFACE 1	CURVATURE SURFACE 2	SURFACE 3	SHAPE FACTOR	SPHERICAL ABERRATION	COMA
.1819991-01	-.1286837 00	-.5500000-01	-.7571859 00	.3452816-03	-.2132041-03
.1919991-01	-.1276837 00	-.5400000-01	-.7385697 00	.3299521-03	-.2082080-03
.2019991-01	-.1266837 00	-.5300000-01	-.7249534 00	.3150479-03	-.2032137-03
.2119991-01	-.1256837 00	-.5200000-01	-.7113372 00	.3005668-03	-.1982208-03
.2219991-01	-.1246837 00	-.5100000-01	-.6977210 00	.2865065-03	-.1932291-03
.2319991-01	-.1236837 00	-.5000000-01	-.6841047 00	.2728648-03	-.1882387-03
.2419991-01	-.1226837 00	-.4900000-01	-.6704885 00	.2596396-03	-.1832494-03
.2519991-01	-.1216837 00	-.4800000-01	-.6568723 00	.2468288-03	-.1782612-03
.2619991-01	-.1206837 00	-.4700000-01	-.6432561 00	.2344304-03	-.1732739-03
.2719991-01	-.1196837 00	-.4600000-01	-.6296399 00	.2224422-03	-.1682875-03
.2819991-01	-.1186837 00	-.4500000-01	-.6160236 00	.2108622-03	-.1633018-03
.2919991-01	-.1176837 00	-.4400000-01	-.6024074 00	.1996886-03	-.1583168-03
.3019991-01	-.1166837 00	-.4300000-01	-.5887912 00	.1889194-03	-.1533324-03
.3119991-01	-.1156837 00	-.4200000-01	-.5751750 00	.1785528-03	-.1483484-03
.3219991-01	-.1146837 00	-.4100000-01	-.5615587 00	.1685869-03	-.1433648-03
.3319991-01	-.1136837 00	-.4000000-01	-.5479425 00	.1590198-03	-.1383815-03
.3419991-01	-.1126837 00	-.3900000-01	-.5343263 00	.1498499-03	-.1333983-03
.3519991-01	-.1116837 00	-.3800000-01	-.5207100 00	.1410754-03	-.1284152-03
.3619991-01	-.1106837 00	-.3700000-01	-.5070938 00	.1326946-03	-.1234320-03
.3719991-01	-.1096837 00	-.3600000-01	-.4934776 00	.1247058-03	-.1184487-03
.3819991-01	-.1086837 00	-.3500000-01	-.4798614 00	.1171075-03	-.1134652-03
.3919991-01	-.1076837 00	-.3400000-01	-.4662452 00	.1098980-03	-.1084813-03
.4019991-01	-.1066837 00	-.3300000-01	-.4526289 00	.1030758-03	-.1034970-03
.4119991-01	-.1056837 00	-.3200000-01	-.4390127 00	.9663941-04	-.9851208-04
.4219991-01	-.1046837 00	-.3100000-01	-.4253965 00	.9058733-04	-.9352655-04
.4319991-01	-.1036837 00	-.3000000-01	-.4117802 00	.8491813-04	-.8854027-04
.4419991-01	-.1026837 00	-.2900000-01	-.3981640 00	.7963042-04	-.8355313-04
.4519991-01	-.1016837 00	-.2800000-01	-.3845478 00	.7472281-04	-.7856502-04
.4619991-01	-.1006837 00	-.2700000-01	-.3709316 00	.7019399-04	-.7357585-04
.4719991-01	-.9968367-01	-.2600000-01	-.3573153 00	.6604264-04	-.6858550-04
.4819991-01	-.9868368-01	-.2500000-01	-.3436991 00	.6226757-04	-.6359350-04
.4919991-01	-.9768368-01	-.2400000-01	-.3300829 00	.5886740-04	-.5860089-04
.5019991-01	-.9668368-01	-.2300000-01	-.3164667 00	.5584108-04	-.5360639-04
.5119991-01	-.9568368-01	-.2200000-01	-.3028505 00	.5318737-04	-.4861029-04
.5219991-01	-.9468368-01	-.2100000-01	-.2892342 00	.5090522-04	-.4361249-04
.5319991-01	-.9368367-01	-.2000000-01	-.2756180 00	.4899348-04	-.3861289-04
.5419991-01	-.9268367-01	-.1900000-01	-.2620018 00	.4745112-04	-.3361136-04
.5519991-01	-.9168367-01	-.1800000-01	-.2483855 00	.4627711-04	-.2860781-04
.5619991-01	-.9068367-01	-.1700000-01	-.2347693 00	.4547044-04	-.2360212-04
.5719991-01	-.8968367-01	-.1600000-01	-.2211531 00	.4503020-04	-.1859418-04
.5819991-01	-.8868367-01	-.1500000-01	-.2075369 00	.4495544-04	-.1358390-04
.5919991-01	-.8768368-01	-.1400000-01	-.1939207 00	.4524528-04	-.8571165-05
.6019991-01	-.8668368-01	-.1300000-01	-.1803044 00	.4589883-04	-.3555848-05
.6119991-01	-.8568368-01	-.1200000-01	-.1666882 00	.4691534-04	.1462146-05
.6219991-01	-.8468368-01	-.1100000-01	-.1530720 00	.4829395-04	.6482935-05
.6319991-01	-.8368368-01	-.1000000-01	-.1394558 00	.5003395-04	.1150662-04
.6419991-01	-.8268367-01	-.9000001-02	-.1258395 00	.5213459-04	.1653333-04
.6519991-01	-.8168367-01	-.8000001-02	-.1122233 00	.5459517-04	.2156315-04
.6619991-01	-.8068367-01	-.7000001-02	-.9860707-01	.5741506-04	.2659622-04
.6719991-01	-.7968367-01	-.6000001-02	-.8499085-01	.6059359-04	.3163262-04
.6819991-01	-.7868367-01	-.5000001-02	-.7137462-01	.6413019-04	.3667249-04
.6919991-01	-.7768367-01	-.4000001-02	-.5775839-01	.6802429-04	.4171592-04
.7019991-01	-.7668368-01	-.3000002-02	-.4411219-01	.7227534-04	.4676305-04
.7119991-01	-.7568368-01	-.2000002-02	-.3052596-01	.7688284-04	.5181397-04
.7219991-01	-.7468368-01	-.1000002-02	-.1690974-01	.8184634-04	.5686880-04

SURFACE 1	CURVATURE SURFACE 2	SURFACE 3	SHAPE FACTOR	SPHERICAL ABERRATION	COMA
.7319991-01	-.7368368-01	-.1862645-08	-.3293509-02	.8716539-04	.6192766-04
.7419991-01	-.7268268-01	.9999983-03	.1032272-01	.9283955-04	.6699065-04
.7519991-01	-.7168368-01	.1999998-02	.2393895-01	.9886847-04	.7205779-04
.7619991-01	-.7068367-01	.2999999-02	.3755517-01	.1052518-03	.7712952-04
.7719991-01	-.6968367-01	.3999999-02	.5117140-01	.1119892-03	.8220562-04
.7819991-01	-.6868367-01	.4999999-02	.6478763-01	.1190804-03	.8728632-04
.7919991-01	-.6768367-01	.5999999-02	.7840385-01	.1265251-03	.9237174-04
.8019991-01	-.6668367-01	.6999999-02	.9202008-01	.1343231-03	.9746197-04
.8119991-01	-.6568367-01	.7999999-02	.1056363 00	.1424742-03	.1025572-03
.8219991-01	-.6468368-01	.8999998-02	.1192525 00	.1509782-03	.1076574-03
.8319991-01	-.6368368-01	.9999998-02	.1328687 00	.1598351-03	.1127628-03
.8419991-01	-.6268368-01	.1100000-01	.1464850 00	.1690446-03	.1178735-03
.8519991-01	-.6168368-01	.1200000-01	.1601012 00	.1786066-03	.1229897-03
.8619991-01	-.6068368-01	.1300000-01	.1737174 00	.1885213-03	.1281113-03
.8719991-01	-.5968367-01	.1400000-01	.1873336 00	.1987884-03	.1332386-03
.8819991-01	-.5868367-01	.1500000-01	.2009499 00	.2094081-03	.1383717-03
.8919991-01	-.5768367-01	.1600000-01	.2145661 00	.2203803-03	.1435106-03
.9019991-01	-.5668367-01	.1700000-01	.2281823 00	.2317051-03	.1486556-03
.9119991-01	-.5568367-01	.1800000-01	.2417986 00	.2433825-03	.1538067-03
.9219991-01	-.5468367-01	.1900000-01	.2554148 00	.2554128-03	.1589640-03
.9319991-01	-.5368368-01	.2000000-01	.2690310 00	.2677961-03	.1641276-03
.9419991-01	-.5268368-01	.2100000-01	.2826472 00	.2805324-03	.1692978-03
.9519991-01	-.5168368-01	.2200000-01	.2962634 00	.2936221-03	.1744745-03
.9619991-01	-.5068368-01	.2300000-01	.3098797 00	.3070653-03	.1796580-03
.9719991-01	-.4968368-01	.2400000-01	.3234959 00	.3208623-03	.1848483-03
.9819991-01	-.4868368-01	.2500000-01	.3371121 00	.3350135-03	.1900455-03
.9919991-01	-.4768367-01	.2600000-01	.3507283 00	.3495189-03	.1952499-03
.1001999 00	-.4668367-01	.2700000-01	.3643446 00	.3643791-03	.2004614-03
.1011999 00	-.4568367-01	.2800000-01	.3779608 00	.3795944-03	.2056802-03
.1021999 00	-.4468367-01	.2900000-01	.3915770 00	.3951652-03	.2109065-03
.1031999 00	-.4368367-01	.3000000-01	.4051933 00	.4110918-03	.2161404-03
.1041999 00	-.4268368-01	.3100000-01	.4188095 00	.4273748-03	.2213819-03
.1051999 00	-.4168368-01	.3200000-01	.4324257 00	.4440145-03	.2266313-03
.1061999 00	-.4068368-01	.3300000-01	.4460419 00	.4610115-03	.2318885-03
.1071999 00	-.3968368-01	.3400000-01	.4596581 00	.4783664-03	.2371538-03
.1081999 00	-.3868368-01	.3500000-01	.4732744 00	.4960795-03	.2424273-03
.1091999 00	-.3768368-01	.3600000-01	.4868906 00	.5141516-03	.2477091-03
.1101999 00	-.3668367-01	.3700000-01	.5005068 00	.5325832-03	.2529993-03
.1111999 00	-.3568367-01	.3800000-01	.5141231 00	.5513749-03	.2582981-03
.1121999 00	-.3468367-01	.3900000-01	.5277393 00	.5705274-03	.2636055-03
.1131999 00	-.3368367-01	.4000000-01	.5413555 00	.5900413-03	.2689217-03
.1141999 00	-.3268367-01	.4100000-01	.5549717 00	.6099173-03	.2742468-03
.1151999 00	-.3168367-01	.4200000-01	.5685880 00	.6301562-03	.2795810-03
.1161999 00	-.3068368-01	.4300000-01	.5822042 00	.6507587-03	.2849243-03
.1171999 00	-.2968368-01	.4400000-01	.5958204 00	.6717255-03	.2902769-03
.1181999 00	-.2868368-01	.4500000-01	.6094366 00	.6930575-03	.2956389-03
.1191999 00	-.2768368-01	.4600000-01	.6230528 00	.7147555-03	.3010104-03
.1201999 00	-.2668368-01	.4700000-01	.6366691 00	.7368203-03	.3063916-03
.1211999 00	-.2568367-01	.4800000-01	.6502853 00	.7592528-03	.3117826-03
.1221999 00	-.2468367-01	.4900000-01	.6639015 00	.7820539-03	.3171835-03
.1231999 00	-.2368367-01	.5000000-01	.6775177 00	.8052244-03	.3225944-03
.1241999 00	-.2268367-01	.5100000-01	.6911340 00	.8287653-03	.3280155-03
.1251999 00	-.2168367-01	.5200000-01	.7047502 00	.8526776-03	.3334469-03
.1261999 00	-.2068367-01	.5300000-01	.7183664 00	.8769623-03	.3388887-03
.1271999 00	-.1968368-01	.5400000-01	.7319826 00	.9016202-03	.3443410-03

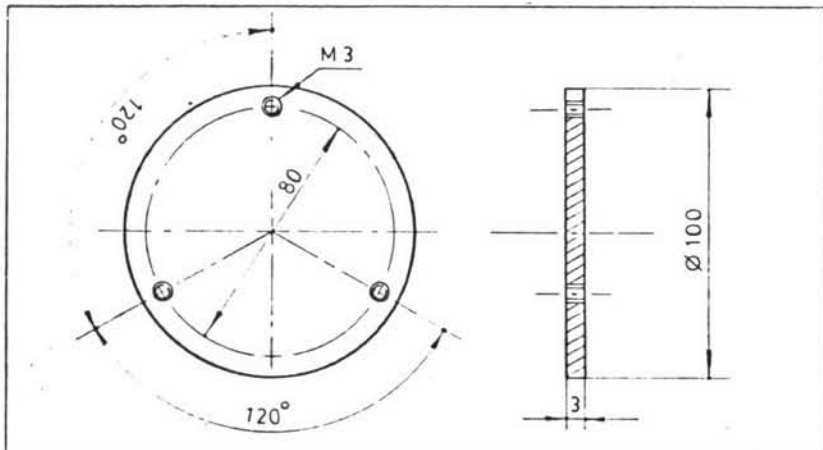
SURFACE 1	CURVATURE SURFACE 2	SURFACE 3	SHAPE FACTOR	SPHERICAL ABERRATION	COMA
.1281999 00	-.1868368-01	.5500000-01	.7455989 00	.9266526-03	.3498041-03
.1291999 00	-.1768368-01	.5600000-01	.7592151 00	.9520605-03	.3552778-03
.1301999 00	-.1668368-01	.5700000-01	.7728313 00	.9778448-03	.3607626-03
.1311999 00	-.1568368-01	.5800000-01	.7864475 00	.1004007-02	.3662583-03
.1321999 00	-.1468368-01	.5900000-01	.8000638 00	.1030547-02	.3717653-03
.1331999 00	-.1368367-01	.6000000-01	.8136800 00	.1057468-02	.3772835-03
.1341999 00	-.1268367-01	.6100000-01	.8272962 00	.1084770-02	.3828131-03
.1351999 00	-.1168367-01	.6200000-01	.8409125 00	.1112453-02	.3883543-03
.1361999 00	-.1068367-01	.6300000-01	.8545287 00	.1140521-02	.3939073-03
.1371999 00	-.9683674-02	.6400000-01	.8681449 00	.1168972-02	.3994720-03
.1381999 00	-.8683676-02	.6500000-01	.8817611 00	.1197810-02	.4050486-03
.1391999 00	-.7683676-02	.6600000-01	.8953773 00	.1227035-02	.4106373-03
.1401999 00	-.6683676-02	.6700000-01	.9089936 00	.1256648-02	.4162382-03
.1411999 00	-.5683675-02	.6800000-01	.9226098 00	.1286651-02	.4218514-03
.1421999 00	-.4683675-02	.6900000-01	.9362260 00	.1317046-02	.4274771-03
.1431999 00	-.3683675-02	.7000000-01	.9498422 00	.1347832-02	.4331153-03
.1441999 00	-.2683675-02	.7100000-01	.9634585 00	.1379013-02	.4387663-03
.1451999 00	-.1683675-02	.7200000-01	.9770747 00	.1410589-02	.4444301-03
.1461999 00	-.6836746-03	.7300000-01	.9906909 00	.1442561-02	.4501069-03
.1471999 00	.3163256-03	.7400000-01	.1004307 01	.1474932-02	.4557967-03
.1481999 00	.1316326-02	.7500000-01	.1017923 01	.1507702-02	.4614998-03
.1491999 00	.2316326-02	.7600000-01	.1031540 01	.1540873-02	.4672163-03
.1501999 00	.3316324-02	.7700000-01	.1045156 01	.1574446-02	.4729462-03
.1511999 00	.4316324-02	.7800000-01	.1058772 01	.1608424-02	.4786897-03
.1521999 00	.5316325-02	.7900000-01	.1072388 01	.1642807-02	.4844469-03
.1531999 00	.6316325-02	.8000000-01	.1086004 01	.1677597-02	.4902181-03
.1541999 00	.7316325-02	.8100000-01	.1099621 01	.1712797-02	.4960032-03
.1551999 00	.8316325-02	.8200000-01	.1113237 01	.1748406-02	.5018025-03
.1561999 00	.9316325-02	.8300000-01	.1126853 01	.1784427-02	.5076161-03
.1571999 00	.1031633-01	.8400000-01	.1140469 01	.1820862-02	.5134440-03
.1581999 00	.1131633-01	.8500000-01	.1154086 01	.1857713-02	.5192864-03
.1591999 00	.1231633-01	.8600000-01	.1167702 01	.1894980-02	.5251435-03
.1601999 00	.1331633-01	.8700000-01	.1181318 01	.1932665-02	.5310154-03
.1611999 00	.1431632-01	.8800000-01	.1194934 01	.1970771-02	.5369022-03
.1621999 00	.1531632-01	.8900000-01	.1208551 01	.2009299-02	.5428040-03
.1631999 00	.1631632-01	.9000000-01	.1222167 01	.2048251-02	.5487210-03
.1641999 00	.1731632-01	.9100000-01	.1235783 01	.2087628-02	.5546534-03
.1651999 00	.1831632-01	.9200000-01	.1249399 01	.2127433-02	.5606011-03
.1661999 00	.1931632-01	.9300000-01	.1263015 01	.2167667-02	.5665644-03
.1671999 00	.2031633-01	.9400000-01	.1276632 01	.2208332-02	.5725435-03
.1681999 00	.2131633-01	.9500000-01	.1290248 01	.2249429-02	.5785383-03
.1691999 00	.2231633-01	.9600000-01	.1303864 01	.2290961-02	.5845491-03
.1701999 00	.2331633-01	.9700000-01	.1317480 01	.2332930-02	.5905760-03
.1711999 00	.2431633-01	.9800000-01	.1331097 01	.2375337-02	.5966191-03
.1721999 00	.2531633-01	.9900000-01	.1344713 01	.2418185-02	.6026786-03
.1731999 00	.2631632-01	.1000000 00	.1358329 01	.2461475-02	.6087545-03
.1741999 00	.2731632-01	.1010000 00	.1371945 01	.2505209-02	.6148471-03
.1751999 00	.2831632-01	.1020000 00	.1385561 01	.2549389-02	.6209565-03
.1761999 00	.2931632-01	.1030000 00	.1399178 01	.2594017-02	.6270826-03
.1771999 00	.3031632-01	.1040000 00	.1412794 01	.2639096-02	.6332259-03
.1781999 00	.3131632-01	.1050000 00	.1426410 01	.2684626-02	.6393862-03
.1791999 00	.3231633-01	.1060000 00	.1440026 01	.2730611-02	.6455639-03
.1801999 00	.3331632-01	.1070000 00	.1453643 01	.2777052-02	.6517589-03
.1811999 00	.3431633-01	.1080000 00	.1467259 01	.2823952-02	.6579715-03
.1821999 00	.3531632-01	.1090000 00	.1480875 01	.2871311-02	.6642017-03

SURFACE 1	CURVATURE SURFACE 2	SURFACE 3	SHAPE FACTOR	SPHERICAL ABERRATION	COMA
.1831999 00	.3631633-01	.1100000 00	.1494491 01	.2919134-02	.6704498-03
.1841999 00	.3731632-01	.1110000 00	.1508107 01	.2967420-02	.6767158-03
.1851999 00	.3831632-01	.1120000 00	.1521724 01	.3016174-02	.6829998-03
.1861999 00	.3931632-01	.1130000 00	.1535340 01	.3065396-02	.6893021-03
.1871999 00	.4031632-01	.1140000 00	.1548956 01	.3115089-02	.6956227-03
.1881999 00	.4131632-01	.1150000 00	.1562572 01	.3165256-02	.7019618-03
.1891999 00	.4231632-01	.1160000 00	.1576189 01	.3215898-02	.7083194-03
.1901999 00	.4331633-01	.1170000 00	.1589805 01	.3267017-02	.7146958-03
.1911999 00	.4431632-01	.1180000 00	.1603421 01	.3318616-02	.7210910-03
.1921999 00	.4531633-01	.1190000 00	.1617037 01	.3370698-02	.7275053-03
.1931999 00	.4631632-01	.1200000 00	.1630653 01	.3423263-02	.7339386-03
.1941999 00	.4731633-01	.1210000 00	.1644270 01	.3476315-02	.7403912-03
.1951999 00	.4831632-01	.1220000 00	.1657886 01	.3529856-02	.7468632-03
.1961999 00	.4931632-01	.1230000 00	.1671502 01	.3583888-02	.7533547-03
.1971999 00	.5031632-01	.1240000 00	.1685118 01	.3638413-02	.7598659-03
.1981999 00	.5131632-01	.1250000 00	.1698735 01	.3693434-02	.7663969-03
.1991999 00	.5231632-01	.1260000 00	.1712351 01	.3748954-02	.7729478-03
.2001999 00	.5331632-01	.1270000 00	.1725967 01	.3804973-02	.7795187-03
.2011999 00	.5431633-01	.1280000 00	.1739583 01	.3861496-02	.7861098-03
.2021999 00	.5531632-01	.1290000 00	.1753200 01	.3918523-02	.7927213-03
.2031999 00	.5631633-01	.1300000 00	.1766816 01	.3976059-02	.7993532-03
.2041999 00	.5731632-01	.1310000 00	.1780432 01	.4034104-02	.8060056-03
.2051999 00	.5831633-01	.1320000 00	.1794048 01	.4092661-02	.8126788-03
.2061999 00	.5931632-01	.1330000 00	.1807664 01	.4151734-02	.8193728-03
.2071999 00	.6031632-01	.1340000 00	.1821281 01	.4211323-02	.8260878-03
.2081999 00	.6131632-01	.1350000 00	.1834897 01	.4271433-02	.8328240-03
.2091999 00	.6231632-01	.1360000 00	.1848513 01	.4332065-02	.8395813-03
.2101999 00	.6331632-01	.1370000 00	.1862129 01	.4393221-02	.8463601-03
.2111999 00	.6431632-01	.1380000 00	.1875746 01	.4454905-02	.8531603-03
.2121999 00	.6531633-01	.1390000 00	.1889362 01	.4517119-02	.8599823-03
.2131999 00	.6631632-01	.1400000 00	.1902978 01	.4579864-02	.8668259-03
.2141999 00	.6731633-01	.1410000 00	.1916594 01	.4643145-02	.8736915-03
.2151999 00	.6831632-01	.1420000 00	.1930210 01	.4706963-02	.8805791-03
.2161999 00	.6931633-01	.1430000 00	.1943827 01	.4771321-02	.8874889-03
.2171999 00	.7031632-01	.1440000 00	.1957443 01	.4836221-02	.8944210-03
.2181999 00	.7131632-01	.1450000 00	.1971059 01	.4901666-02	.9013755-03
.2191999 00	.7231632-01	.1460000 00	.1984675 01	.4967660-02	.9083526-03
.2201999 00	.7331632-01	.1470000 00	.1998292 01	.5034203-02	.9153524-03
.2211999 00	.7431632-01	.1480000 00	.2011908 01	.5101300-02	.9223750-03
.2221999 00	.7531632-01	.1490000 00	.2025524 01	.5168952-02	.9294206-03
.2231999 00	.7631632-01	.1500000 00	.2039140 01	.5237162-02	.9364893-03

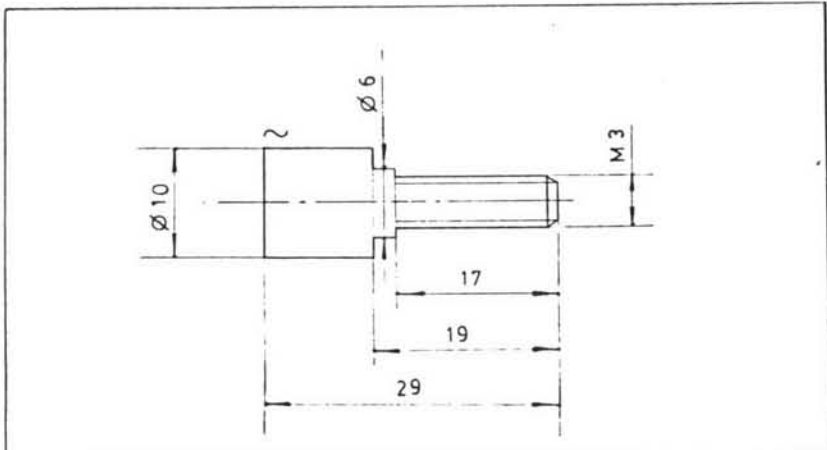
ภาคผนวก ข

เขียนแบบเครื่องเอกรงค์

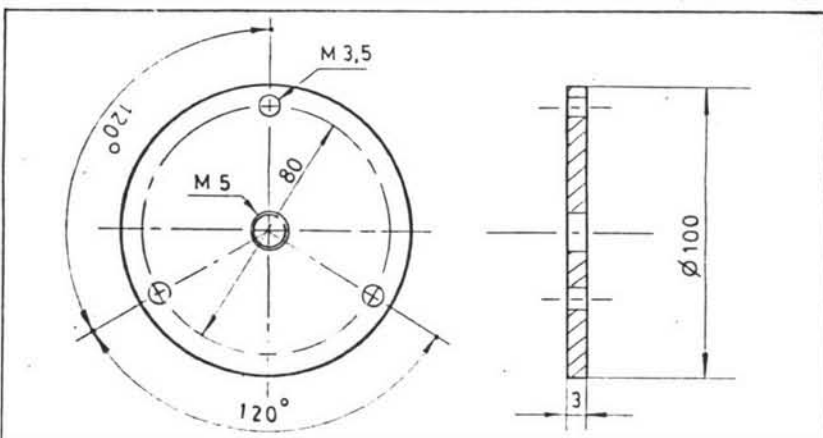
ส่วนประกอบกลไกต่าง ๆ ของเครื่องเอกรงค์ที่สำคัญได้กล่าวไว้ในบทที่ 5 คือ
แท่นวางตัวกระจายแสง, ล้อกลิ้งยึดเลนส์กับช็องแคบ, ตัวจับเลนส์, ตัวจับช็องแคบ, และ
ฐาน จะได้แสดงขนาดและรายละเอียดต่าง ๆ ของส่วนประกอบย่อย ของส่วนประกอบกลไก
ข้างต้นในภาคผนวกนี้ โดยตัวเลขที่บอกขนาดในแบบ มีหน่วยเป็นมิลลิเมตร



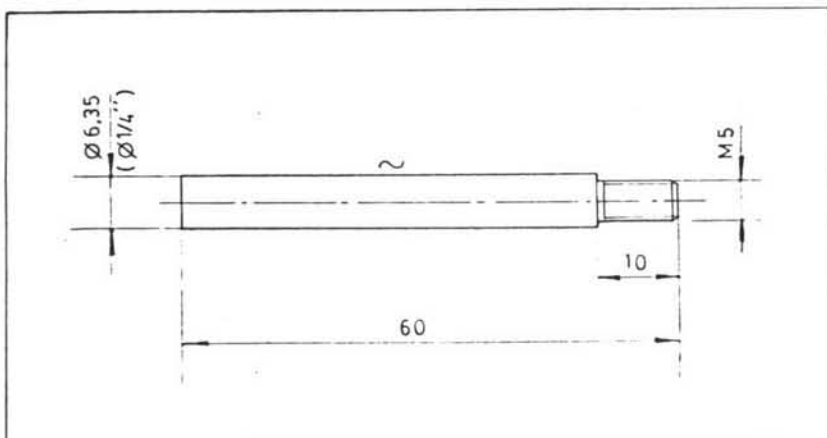
วัสดุ : ทองเหลือง	เดือเครื่องเอกจรด.	จำนวนชิ้นงาน : 1 ชิ้น.
มาตราส่วน : 1:1	ชื่อชิ้นงาน : แท่นวางตัวกระสายแสง ①	หมายเลขแบบ : 01 - 00 - 01



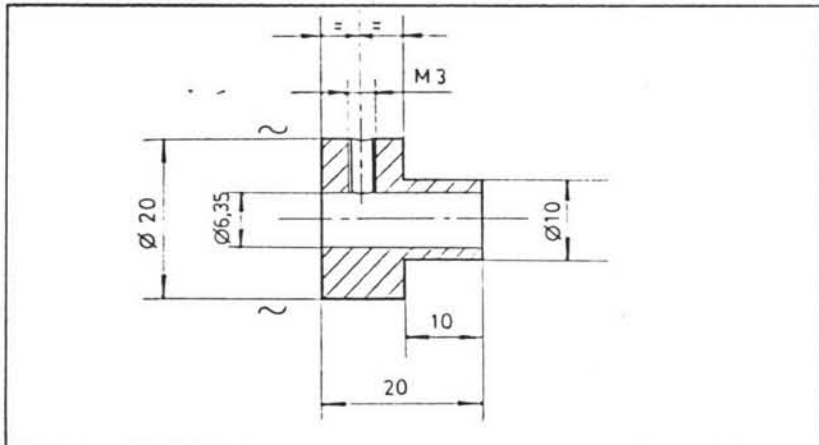
วัสดุ : ทองเหลือง	เดือเครื่องเอกจรด.	จำนวนชิ้นงาน : 3 ชิ้น.
มาตราส่วน : 1:1	ชื่อชิ้นงาน : แท่นวางตัวกระสายแสง ③	หมายเลขแบบ : 01 - 00 - 03



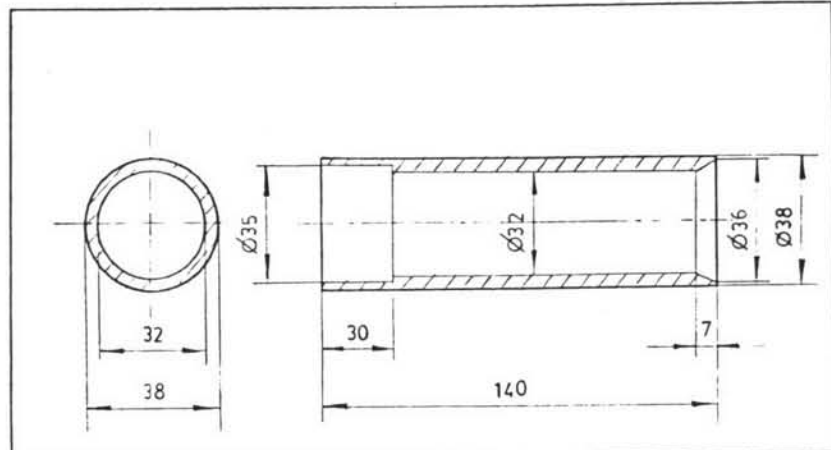
วัสดุ : ทองเหลือง	เดือเครื่องเอกจรด.	จำนวนชิ้นงาน : 1 ชิ้น.
มาตราส่วน : 1:1	ชื่อชิ้นงาน : แท่นวางตัวกระสายแสง ②	หมายเลขแบบ : 01 - 00 - 02



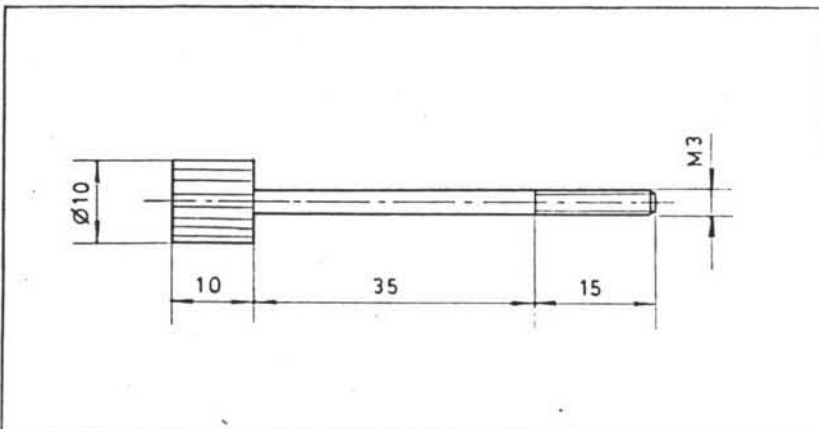
วัสดุ : ทองเหลือง	เดือเครื่องเอกจรด.	จำนวนชิ้นงาน : 1 ชิ้น.
มาตราส่วน : 1:1	ชื่อชิ้นงาน : แท่นวางตัวกระสายแสง ④	หมายเลขแบบ : 01 - 00 - 04



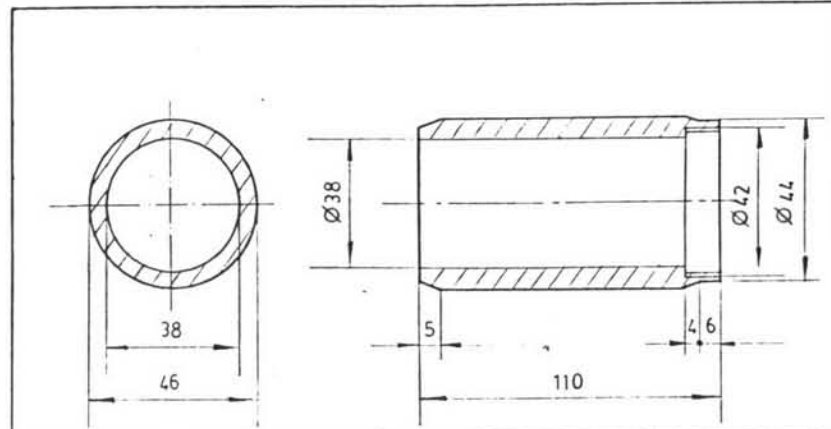
วัสดุ: ทองเหลือง	เครื่องเอกรงค์.	จำนวนชิ้นงาน : 1 ชิ้น.
มาตราส่วน: 1:1	ชื่อชิ้นงาน : แท่นวางตัวกร: จากแผง 5	หมายเลขแบบ : 01 - 00 - 05



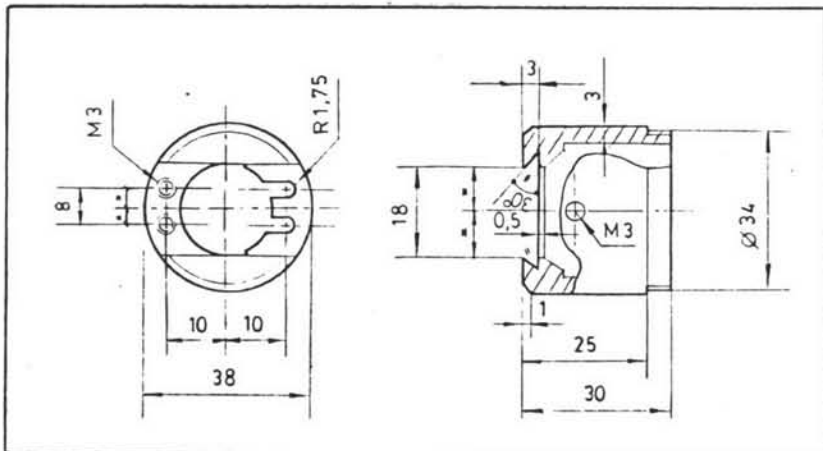
วัสดุ: ทองเหลือง	เครื่องเอกรงค์.	จำนวนชิ้นงาน : 2 ชิ้น.
มาตราส่วน: 1:1	ชื่อชิ้นงาน : ทรงกร: บดกชั้นใน	หมายเลขแบบ : 02 - 00 - 07



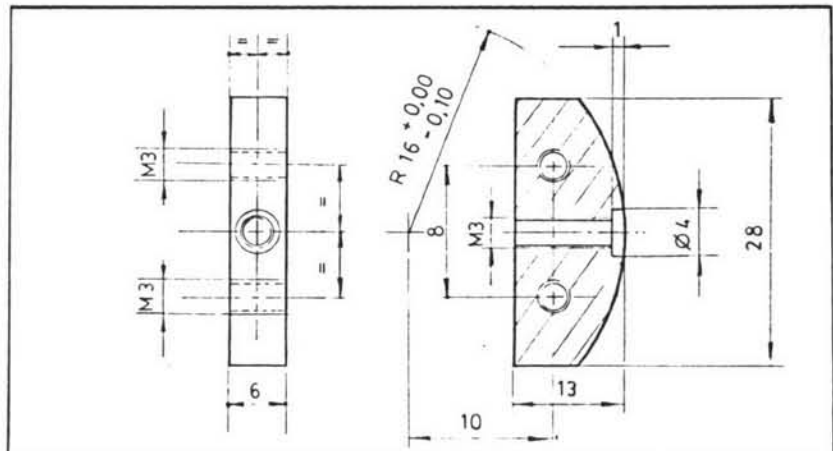
วัสดุ: ทองเหลือง	เครื่องเอกรงค์.	จำนวนชิ้นงาน : 1 ชิ้น.
มาตราส่วน: 1:1	ชื่อชิ้นงาน : แท่นวางตัวกร: จากแผง 6	หมายเลขแบบ : 01 - 00 - 06



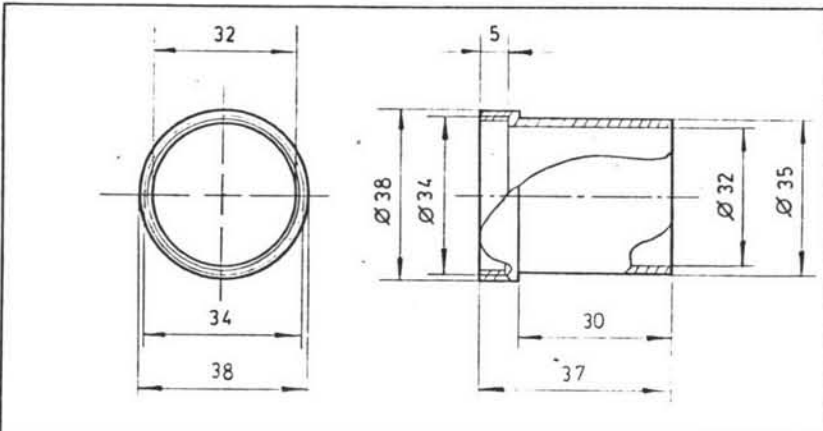
วัสดุ: ทองเหลือง	เครื่องเอกรงค์.	จำนวนชิ้นงาน : 2 ชิ้น.
มาตราส่วน: 1:1	ชื่อชิ้นงาน : ทรงกร: บดกชั้นนอก	หมายเลขแบบ : 02 - 00 - 08



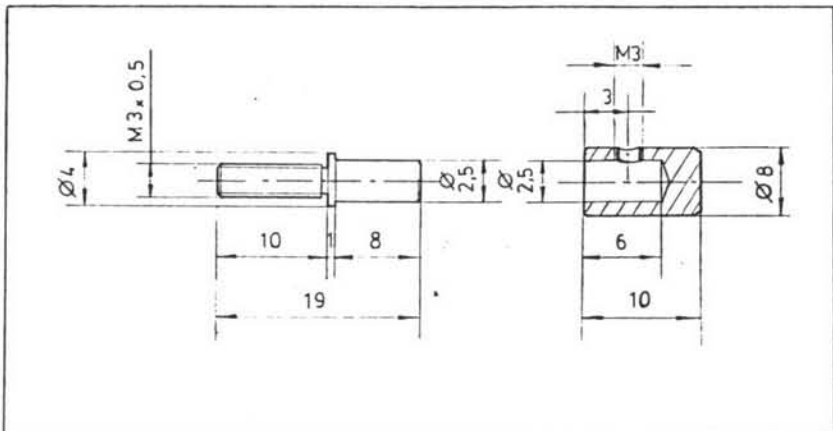
วัสดุ : ทองเหลือง	เครื่องเอกซจด์.	จำนวนชิ้นงาน : 2 ชิ้น.
มาตราส่วน : 1:1	ชื่อชิ้นงาน : ตัวจับช่องแตร ①	หมายเลขแบบ : 02 - 00 - 09



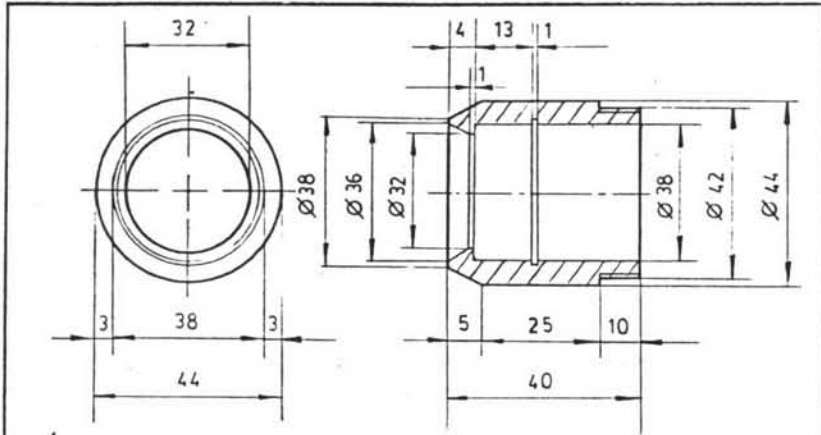
วัสดุ : ทองเหลือง	เครื่องเอกซจด์.	จำนวนชิ้นงาน : 2 ชิ้น.
มาตราส่วน : 1:1	ชื่อชิ้นงาน : ตัวบังคับช่องแตร ①	หมายเลขแบบ : 03 - 00 - 11



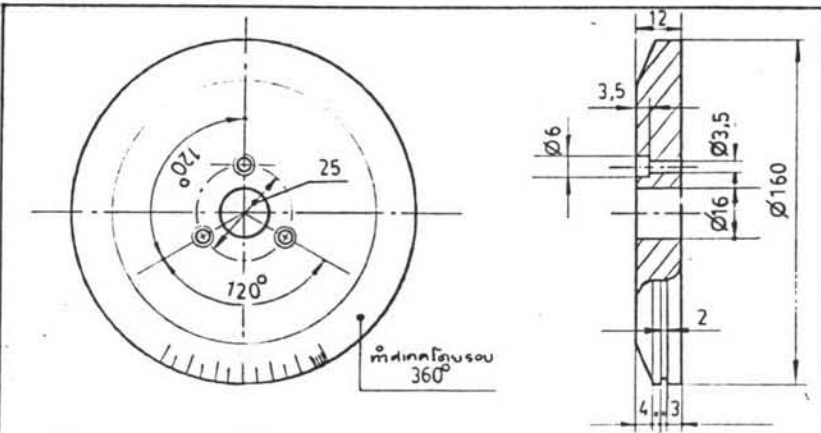
วัสดุ : ทองเหลือง	เครื่องเอกซจด์.	จำนวนชิ้นงาน : 2 ชิ้น.
มาตราส่วน : 1:1	ชื่อชิ้นงาน : ตัวจับช่องแตร ②	หมายเลขแบบ : 02 - 00 - 10



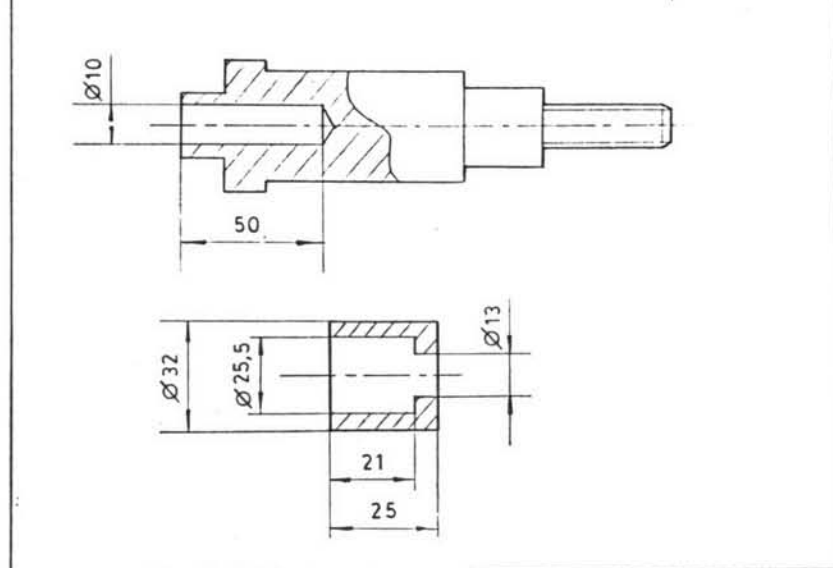
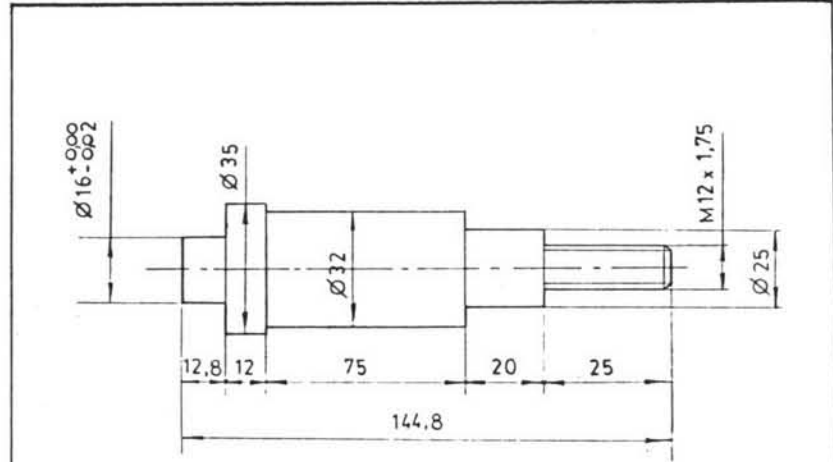
วัสดุ : ทองเหลือง	เครื่องเอกซจด์.	จำนวนชิ้นงาน : 2 ชิ้น.
มาตราส่วน : 1:1	ชื่อชิ้นงาน : ตัวบังคับช่องแตร ②	หมายเลขแบบ : 03 - 00 - 12



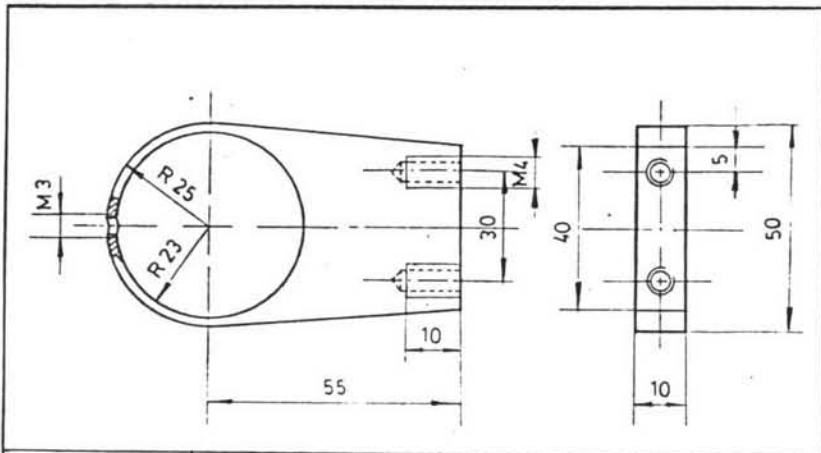
วัสดุ: ทองเหลือง	เครื่องจักรกลดัด.	จำนวนชิ้นงาน: 2 ชิ้น.
มาตราส่วน: 1:1	ชื่อชิ้นงาน: ตัวขับเคาน์ตี.	หมายเลขแบบ: 04-00-13



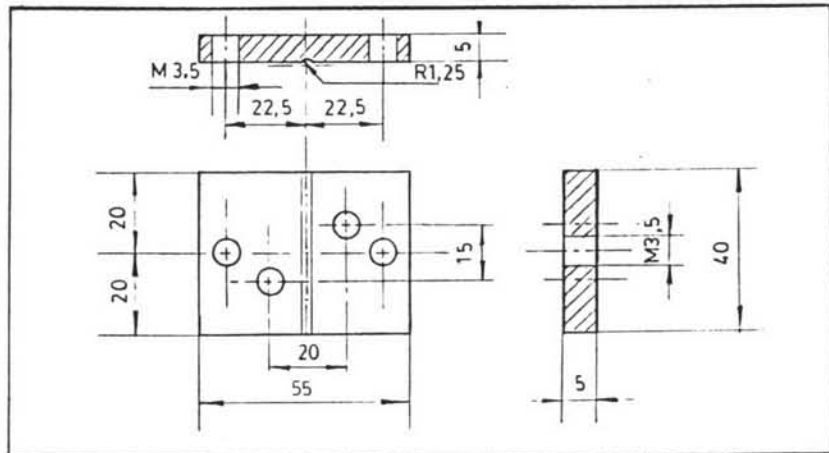
วัสดุ: ทองเหลือง	เครื่องจักรกลดัด.	จำนวนชิ้นงาน: 1 ชิ้น.
มาตราส่วน: 1:1	ชื่อชิ้นงาน: แผ่นสีก.	หมายเลขแบบ: 05-00-14



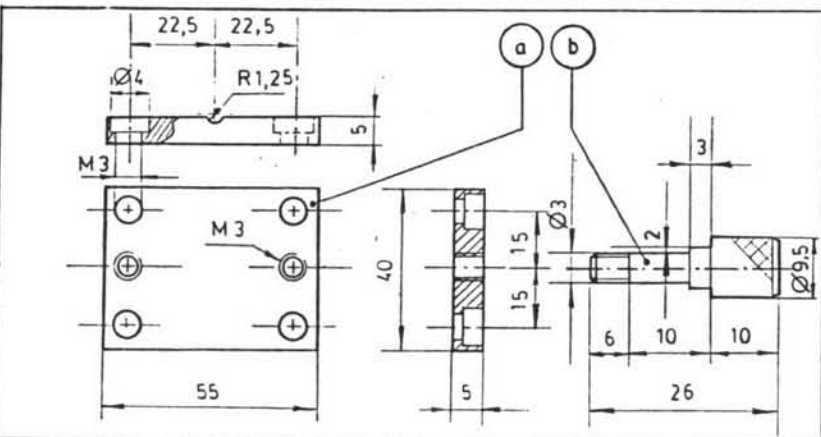
วัสดุ: ทองเหลือง	เครื่องจักรกลดัด.	จำนวนชิ้นงาน: 1 ชิ้น.
มาตราส่วน: 1:1	ชื่อชิ้นงาน: แกนเคาน์ตี.	หมายเลขแบบ: 06-00-15



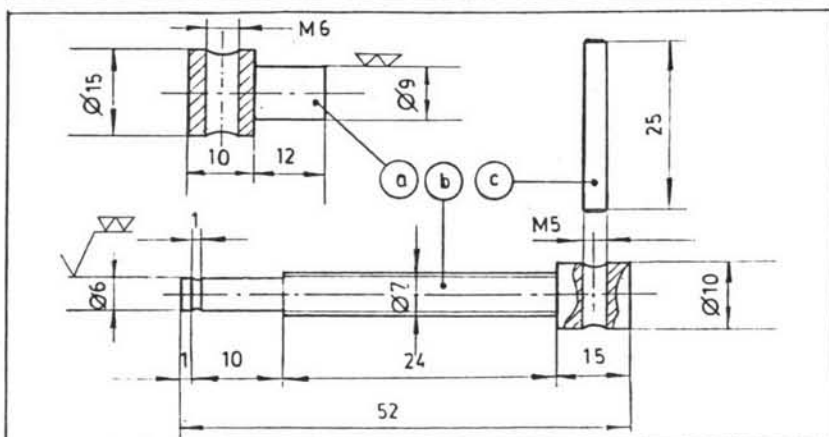
วัสดุ: ทองเหลือง	เครื่องเอกรงค์.	จำนวนชิ้นงาน : 4 ชิ้น.
มาตราส่วน: 1:1	ชื่อชิ้นงาน : ตัวยึดคดข้อ (1)	หมายเลขแบบ : 07-00-16



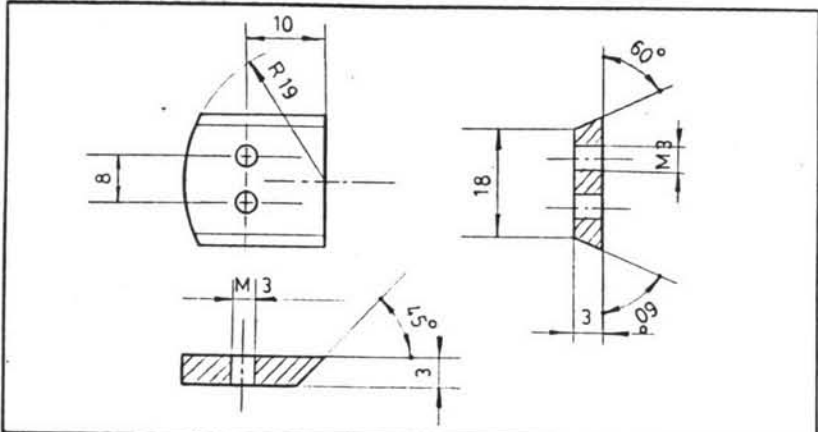
วัสดุ: ทองเหลือง	เครื่องเอกรงค์.	จำนวนชิ้นงาน : 4 ชิ้น.
มาตราส่วน: 1:1	ชื่อชิ้นงาน : ตัวยึดคดข้อ (3)	หมายเลขแบบ : 07-00-18



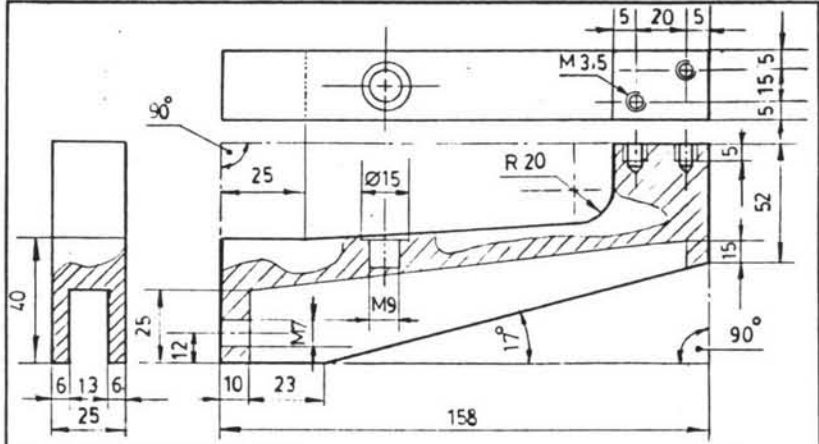
วัสดุ: ทองเหลือง	เครื่องเอกรงค์.	จำนวนชิ้นงาน : 4a, 8b ชิ้น.
มาตราส่วน: 1:1	ชื่อชิ้นงาน : ตัวยึดคดข้อ (2)	หมายเลขแบบ : 07-00-17



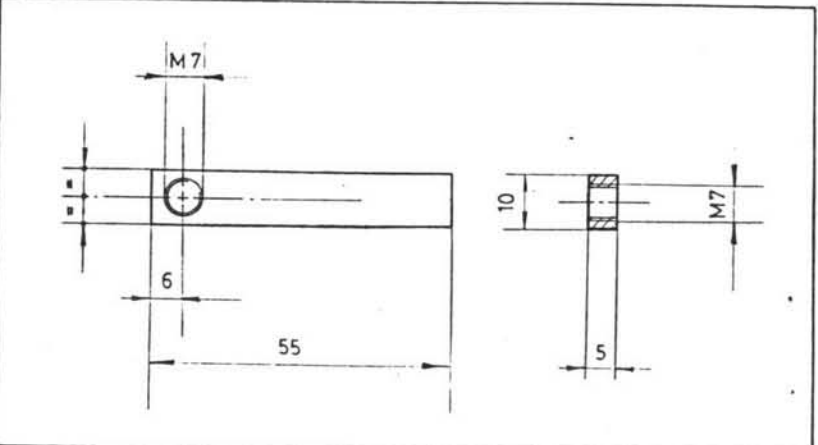
วัสดุ: ทองเหลือง	เครื่องเอกรงค์.	จำนวนชิ้นงาน : 1(a, b, c) ชิ้น
มาตราส่วน: 1:1	ชื่อชิ้นงาน : ตัวรับฟลอคเกอร์ (2)	หมายเลขแบบ : 08-00-19



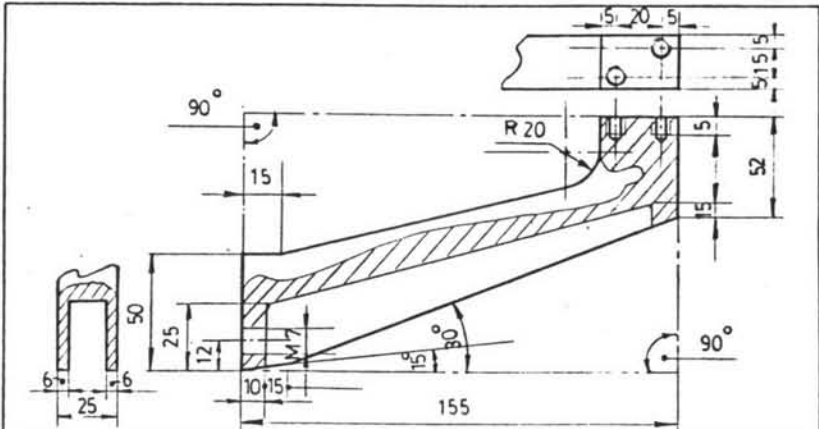
วัสดุ: ทองเหลือง	เครื่องจักรกัด.	จำนวนชิ้นงาน : 4 ชิ้น.
มาตราส่วน: 1:1	ชื่อชิ้นงาน : ฝาช่องแปด	หมายเลขแบบ : 09 - 00 - 20



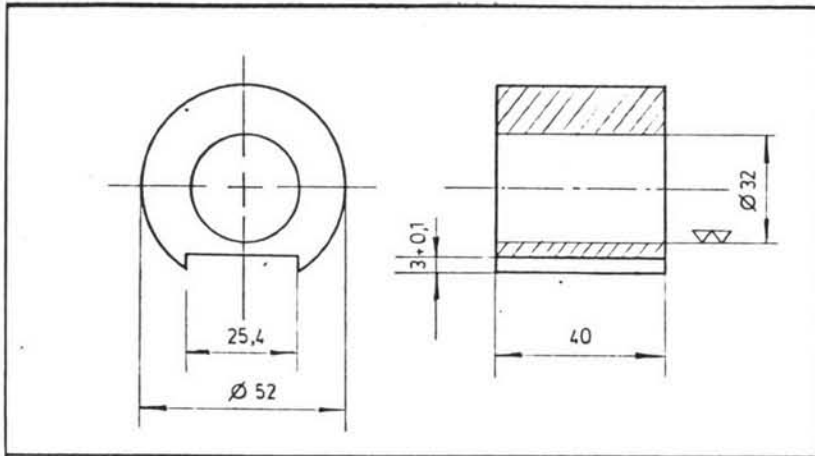
วัสดุ: ทองเหลือง	เครื่องจักรกัด.	จำนวนชิ้นงาน : 1 ชิ้น.
มาตราส่วน: 1:1	ชื่อชิ้นงาน : แขนกลึงโกลกัสน์	หมายเลขแบบ : 09 - 00 - 22



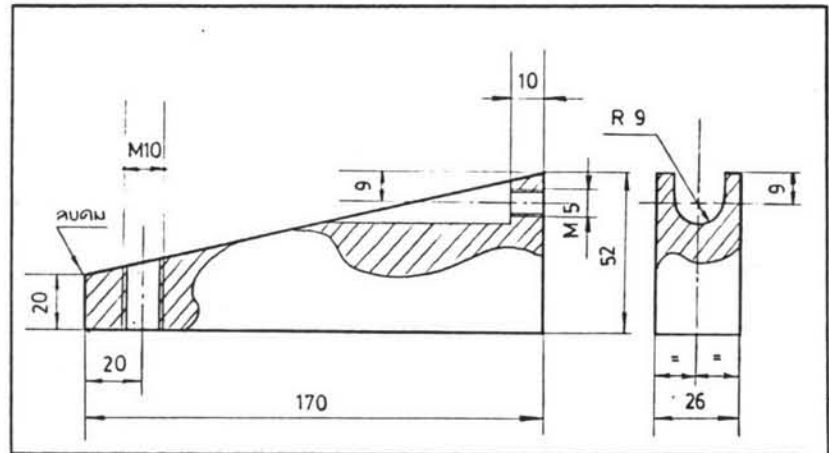
วัสดุ: ทองเหลือง	เครื่องจักรกัด.	จำนวนชิ้นงาน : 1 ชิ้น.
มาตราส่วน: 1:1	ชื่อชิ้นงาน : ตัวปรับสเกลว:เอียงด①	หมายเลขแบบ : 08 - 00 - 21



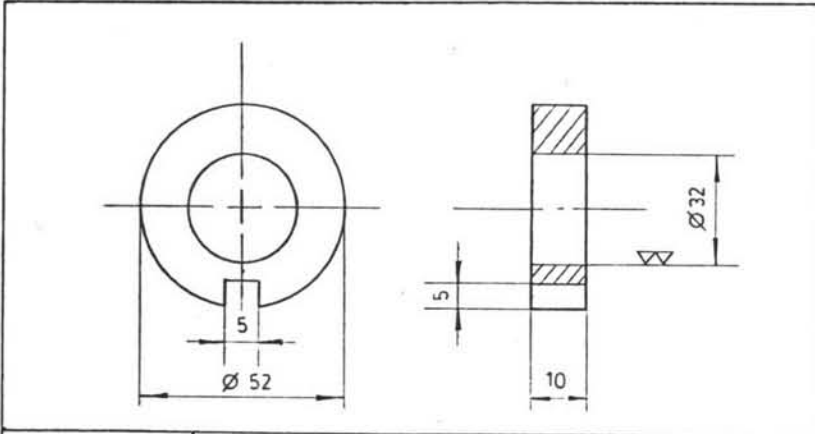
วัสดุ: ทองเหลือง	เครื่องจักรกัด.	จำนวนชิ้นงาน : 1 ชิ้น.
มาตราส่วน: 1:1	ชื่อชิ้นงาน : แขนกลึงคอดลิมเตอร์.	หมายเลขแบบ : 10 - 00 - 23



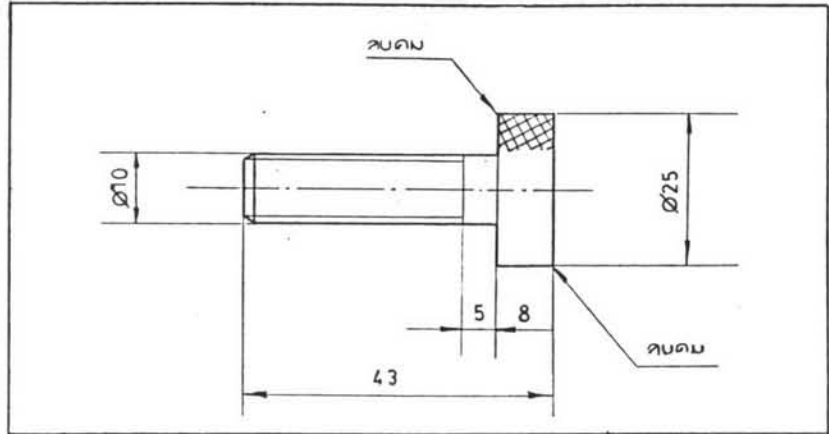
วัสดุ: ทองเหลือง	เครื่องจักรกล.	จำนวนชิ้นงาน : 1 ชิ้น.
มาตราส่วน: 1:1	ชื่อชิ้นงาน : ทวงดู: บอลแบบกลิ้ง ไทราตัน.	หมายเลขแบบ : 11 - 00 - 24



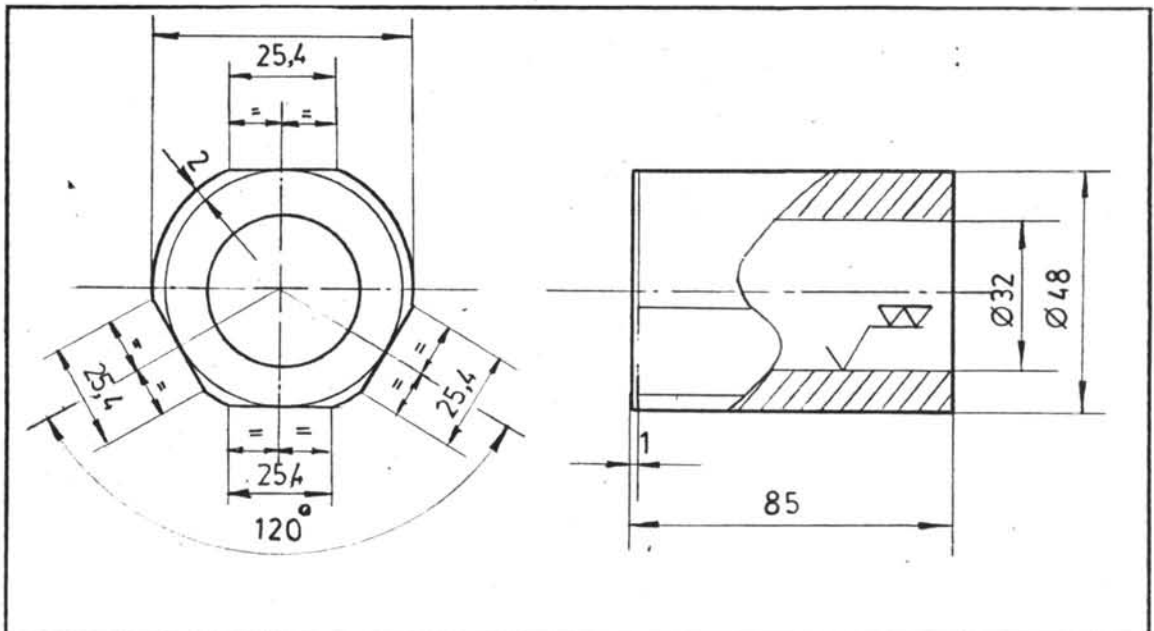
วัสดุ: ทองเหลือง	เครื่องจักรกล.	จำนวนชิ้นงาน : 3 ชิ้น.
มาตราส่วน: 1:1	ชื่อชิ้นงาน : ชิ้น ①	หมายเลขแบบ : 13 - 00 - 26



วัสดุ: ทองเหลือง	เครื่องจักรกล.	จำนวนชิ้นงาน : 1 ชิ้น.
มาตราส่วน: 1:1	ชื่อชิ้นงาน : แขนปรับสเกล: เดียด	หมายเลขแบบ : 12 - 00 - 25



วัสดุ: ทองเหลือง	เครื่องจักรกล.	จำนวนชิ้นงาน : 3 ชิ้น.
มาตราส่วน: 1:1	ชื่อชิ้นงาน : ชิ้น ②	หมายเลขแบบ : 13 - 00 - 27

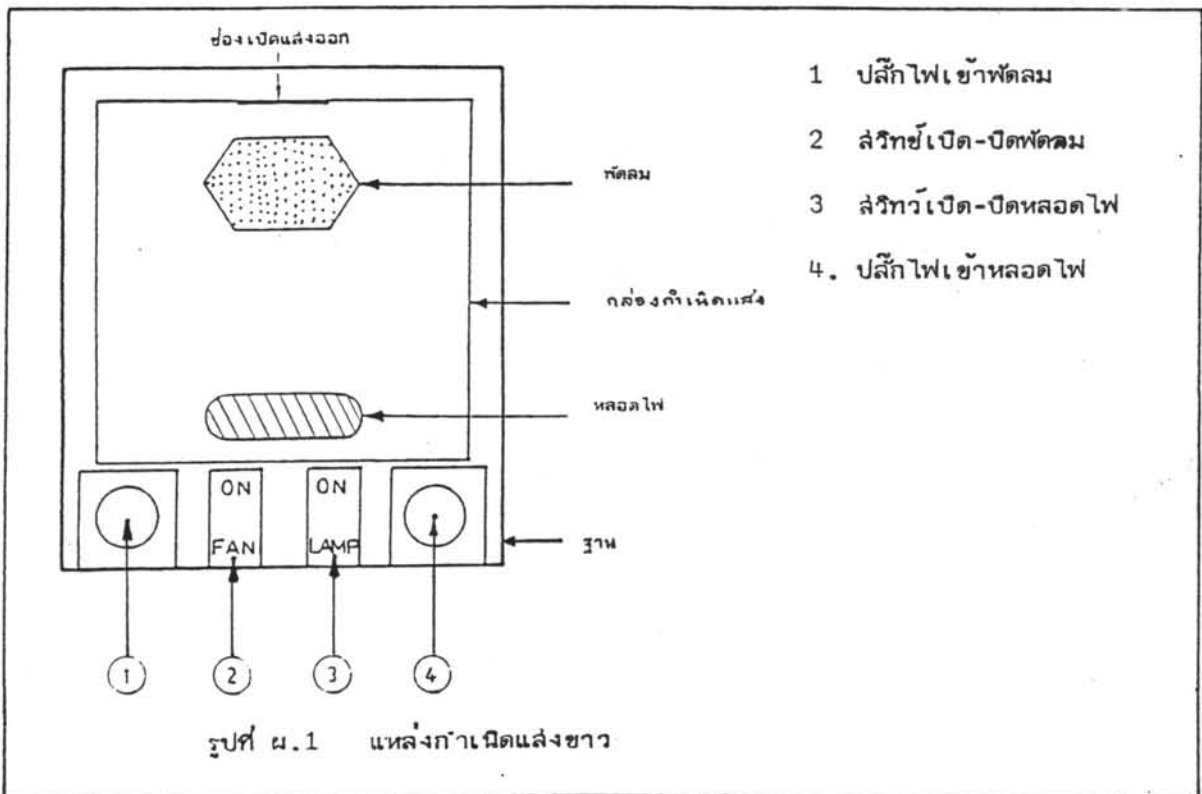


วัสดุ: ทองเหลือง	เครื่องจักร: เครื่องึง	จำนวนชิ้นงาน: 1 ชิ้น.
มาตราส่วน: 1:1	ชื่อชิ้นงาน: ท่อกรอง	หมายเลขแบบ: 14 - 00 - 28

ภาคผนวก ค

แหล่งกำเนิดแสงขาว

แหล่งกำเนิดแสงขาวสำหรับเครื่องเอกซเรย์ที่สร้างขึ้นเป็นหลอดไฟทั้งสี่ เต็ม-ฮาโลเจน ใช้กับไฟฟ้ากระแสสลับที่มีแรงดันไฟฟ้า 24 โวลต์ และให้พลังงานสูงสุด 150 วัตต์ เนื่องจากหลอดไฟจะร้อนมากเมื่อเวลาใช้งานจึงจำเป็นต้องระบายความร้อนด้วยพัดลมโนฟรอสต์ (NOFROST) และพัดลมดูดอากาศ (blower) โดยพัดลมตัวแรกบรรจุอยู่ในกล่องกำเนิดแสงอุมิเนียมที่เคลือบสีดำเพื่อลดปริมาณแสงที่สะท้อน พัดลมตัวนี้จะทำหน้าที่เคลื่อนกระแสลมไปยังหลอดไฟ ซึ่งบรรจุอยู่ภายใน กล่องกำเนิดแสง และในขณะเดียวกัน ยังทำให้มีกระแสลมหมุนเวียนอยู่ภายในกล่องกำเนิดแสงจะช่วยระบายความร้อนออกจากมอเตอร์ของพัดลมโนฟรอสต์ จากนั้นกระแสลมร้อนจะออกจากกล่องกำเนิดแสงด้วยพัดลมดูดอากาศ โดยกระแสลมเย็นจะผ่านเข้าไปในกล่องกำเนิดแสงตามช่องที่เจาะเป็นรูไว้ด้านข้าง บริเวณที่เจาะรูเหล่านั้นจะทำให้เป็นผนังสองชั้นเจาะรูเชื่อมกัน เพื่อลดปริมาณแสงที่จะผ่านออกไปสู่ภายนอกที่อาจรบกวนต่อการทดลองได้รูปแบบของแหล่งกำเนิดแสงขาวแสดงดังรูปที่ ผ.1



แหล่งกำเนิดแสงขาวนี้ใช้ร่วมกับเลนส์นูนที่มี เอพน์มิเบอร์ 3.17 (ทางยาวโฟกัสของเลนส์ 19.0 เซนติเมตร) โดยวางเลนส์นูนนี้ห่างจากช่องแคบเปิดแสงเข้าของเครื่องเอกรังค้อย่างน้อย ประมาณ 46.0 เซนติเมตร และห่างจากไส้หลอดประมาณ 32.3 เซนติเมตร ทั้งนี้เพื่อลดปริมาณ แสงที่จะสะท้อนภายในลำกล้องคอลลิเมเตอร์ เพราะถ้าวางเลนส์นูนให้ใกล้ช่องแคบเข้าไป หรือ ระยะจากเลนส์ถึงช่องแคบดังกล่าวน้อยกว่า 46.0 เซนติเมตรแล้ว ลำแสงที่ผ่านเข้าไปในลำกล้อง คอลลิเมเตอร์จะบานออกมากขึ้นและส่วนที่บานออกนี้จะสะท้อนภายในลำกล้องคอลลิเมเตอร์ อีก ประการหนึ่ง คือ ถ้าวางเลนส์ให้ห่างจากไส้หลอดประมาณ 32.3 เซนติเมตร ลำแสงจากไส้หลอด จะตกเต็มหน้าเลนส์พอดี พลังงานแสงที่ได้จะมากกว่าเมื่อลำแสงตกเกินหน้าเลนส์ แต่ระยะต่าง ๆ ที่กล่าวข้างต้นใช้กับเลนส์นี้เท่านั้น

วิธีใช้แหล่งกำเนิดแสงขาวควรปฏิบัติตามลำดับต่อไปนี้

1. ปิดสวิตช์ ② และ ③ โดยกดที่อักษร "FAN" และ "LAMP" ตามลำดับ
2. ต่อไฟฟ้า 220 โวลต์ จากภายนอกเข้าปลั๊ก ①
3. เปิดสวิตช์ ② โดยกดที่อักษร "ON" พัดลมจะทำงาน
4. เปิดสวิตช์ ③ โดยกดที่อักษร "ON" หลอดไฟจะทำงาน

เมื่อเลิกใช้แหล่งกำเนิดแสงขาวควรปฏิบัติตามลำดับต่อไปนี้

1. ปิดสวิตช์ ③ โดยกดที่อักษร "LAMP" เพื่อให้หลอดไฟหยุดทำงาน
2. ปิดสวิตช์ ② โดยกดที่อักษร "FAN" เพื่อให้พัดลมหยุดทำงานหลังจากปฏิบัติข้อ 1 แล้วไม่น้อยกว่า 5 นาที เพื่อให้ความร้อนระบายออกไป
3. ตัดไฟฟ้าที่มาจากภายนอกซึ่งต่อเข้าตรงปลั๊ก ①

ภาคผนวก ง

รายละเอียดของเครื่องเอกรงค์

รายละเอียด (specification)

รูปแบบทางทัศนศาสตร์

(optical configuration)

เป็นเครื่องเอกรงค์ระบบเกรตติงระนาบชนิดแสงผ่านและ
ยังตัดแปลงให้เป็นระบบปริซึมได้ โดยเปลี่ยนเกรตติงเป็น
ปริซึม มีเลนส์คู่ประกบล่องอัน อันหนึ่งเป็นเลนส์คอลลิ
เมเตอร์ อีกอันหนึ่งเป็นเลนส์โทรทรรศน์ และมีช่องแคบ
เปิดแสงเข้ากับช่องแคบเปิดแสงออกอย่างละหนึ่งอัน

อัตราส่วนของช่องเปิด

(aperture ratio)

ช่องเปิดแสงเข้า $f/6.4$ (ทางยาวโฟกัส 25.47
เซนติเมตร)

เกรตติง

เกรตติงระนาบชนิดแสงผ่าน มีขนาดช่องเปิดแสงผ่าน 2.2 ซม.
 \times 2.4 ซม., 10000 เส้น ต่อ 2.54 เซนติเมตร

การกระจายแสง

77.2 นาโนเมตร / เซนติเมตร

ช่องแคบ

ช่องแคบเปิดแสงเข้าหนึ่งอัน และช่องแคบเปิดแสงออก
หนึ่งอัน ทำด้วยวัสดุทองเหลืองทั้งสองอัน ความยาวของ
ช่องแคบเฉลี่ย 6.7 เซนติเมตร

กำลังแสง

(light gathering power)

{ = ความสูงของช่องแคบ / (เอฟ-นัมเบอร์)²
 \times การกระจายแสง } = 0.002

ความถูกต้องในความยาวคลื่น

(wavelength accuracy)

± 2.2 นาโนเมตร

ช่วงความยาวคลื่นที่ได้

(wavelength drive)

400 - 700 นาโนเมตร

ต้นกำเนิดแสง

หลอดไฟฟอสฟอเรสเซนต์ - ฮาโลเจน 24 โวลต์ 150 วัตต์

น้ำหนัก

17.3 กิโลกรัม

ประวัติ

นายจันทงค์ ฉายเขต เกิดเมื่อวันที่ 11 เมษายน 2495 จบการศึกษาระดับปริญญา
วิทยาศาสตรบัณฑิต สาขาฟิสิกส์ จาก มหาวิทยาลัยเกษตรศาสตร์ เมื่อปีการศึกษา 2518 ได้
รับทุนการศึกษาตามโครงการพัฒนามหาวิทยาลัย ปีการศึกษา 2519 และ 2520 และได้รับทุนวิจัย
จากบัณฑิตวิทยาลัยในปีการศึกษา 2521

