



บรรณานุกรม

ภิญโญ สาธร. หลักบริหารการศึกษา. กรุงเทพฯ : วัฒนาพานิช, 2516.

ศึกษาธิการ, กระทรวง. หลักสูตรประโยคประถมศึกษาตอนต้น พุทธศักราช 2503.

พระนคร : ครูสภา, 2516.

ศึกษาธิการ, กระทรวง. หลักสูตรประโยคประถมศึกษาตอนปลาย พุทธศักราช 2503.

พระนคร : กรุงเทพมหานครพิมพ์, 2503.

ศึกษาธิการ, กระทรวง. หลักสูตรประโยคประถมศึกษา พุทธศักราช 2521. ฉบับร่าง
ครั้งที่ 1. พระนคร: ครูสภา, 2519.

ศึกษาธิการ, กระทรวง. หลักสูตรประโยคมัธยมศึกษาตอนต้น พุทธศักราช 2503.

พระนคร: ครูสภา, 2517.

ศึกษาธิการ, กระทรวง. หลักสูตรประโยคมัธยมศึกษาตอนปลาย พุทธศักราช 2503.

พระนคร: ครูสภา, 2517.

ศึกษาธิการ, กระทรวง. หลักสูตรประโยคมัธยมศึกษาตอนปลาย พุทธศักราช 2518.

กรุงเทพฯ: แผนกช่างพิมพ์ โรงเรียนสารพัดช่างพระนคร, 2518.

ศึกษาธิการ, กระทรวง. สภาพการมัธยมศึกษาปีการศึกษา 2515. พระนคร:

โรงพิมพ์การศาสนา, 2516.

สวัสดิ์ แสงบางปลา. คอมพิวเตอร์ภาษาฟอร์แทรน 4. กรุงเทพมหานคร: ส.กรุงศิลป์

เพรส, 2514.

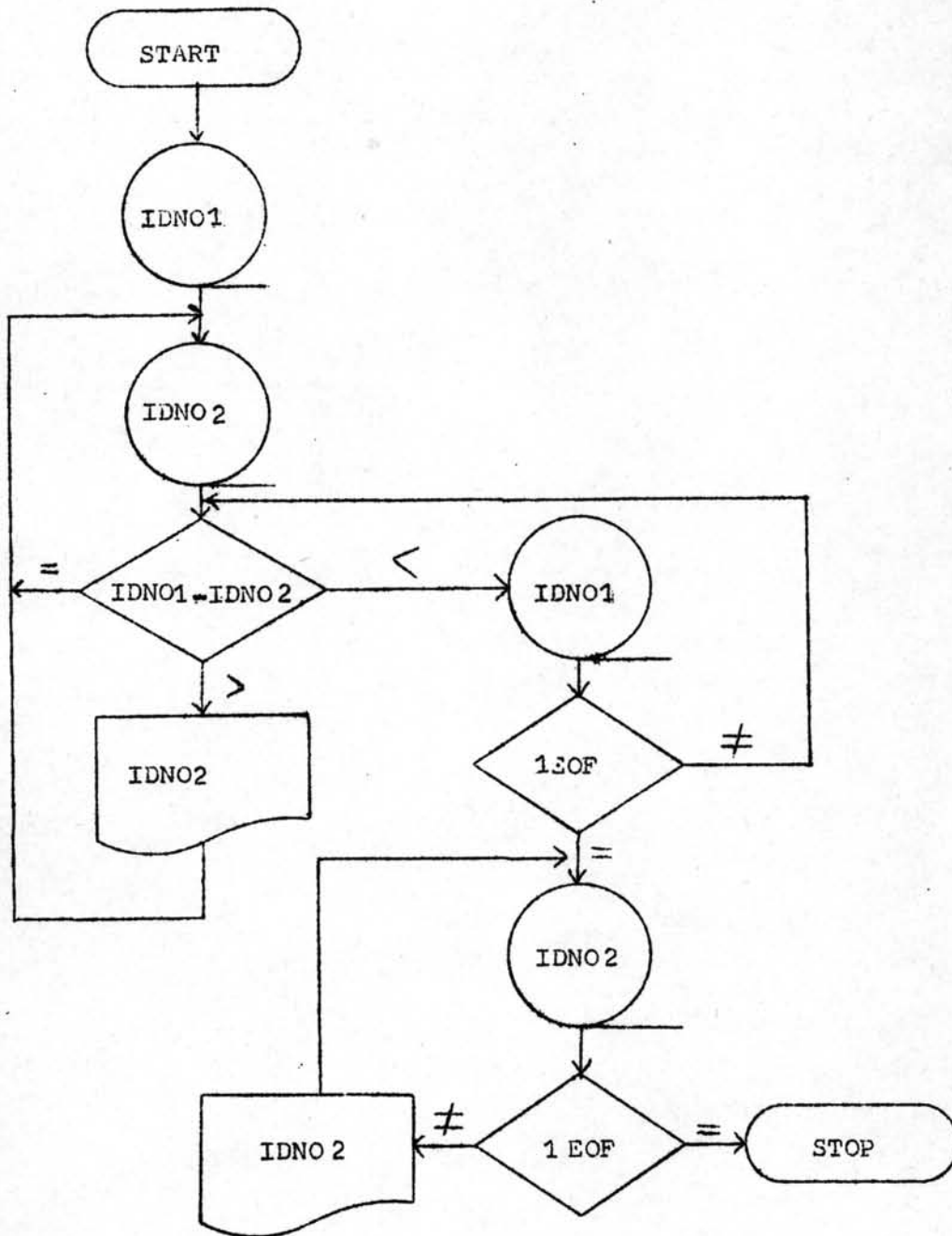
Chulalongkorn University, Computer Science Laboratory. Computer-

science Series in Fortran IV Programming. พระนคร: พระจันทร์, 2513.

NEAC-Series 2200. Operating System Mod I. Fortran Compiler D.

ภาคผนวก

หมวด 1
แสดงผังงาน CIDNO และโปรแกรม CIDNO
CIDNO

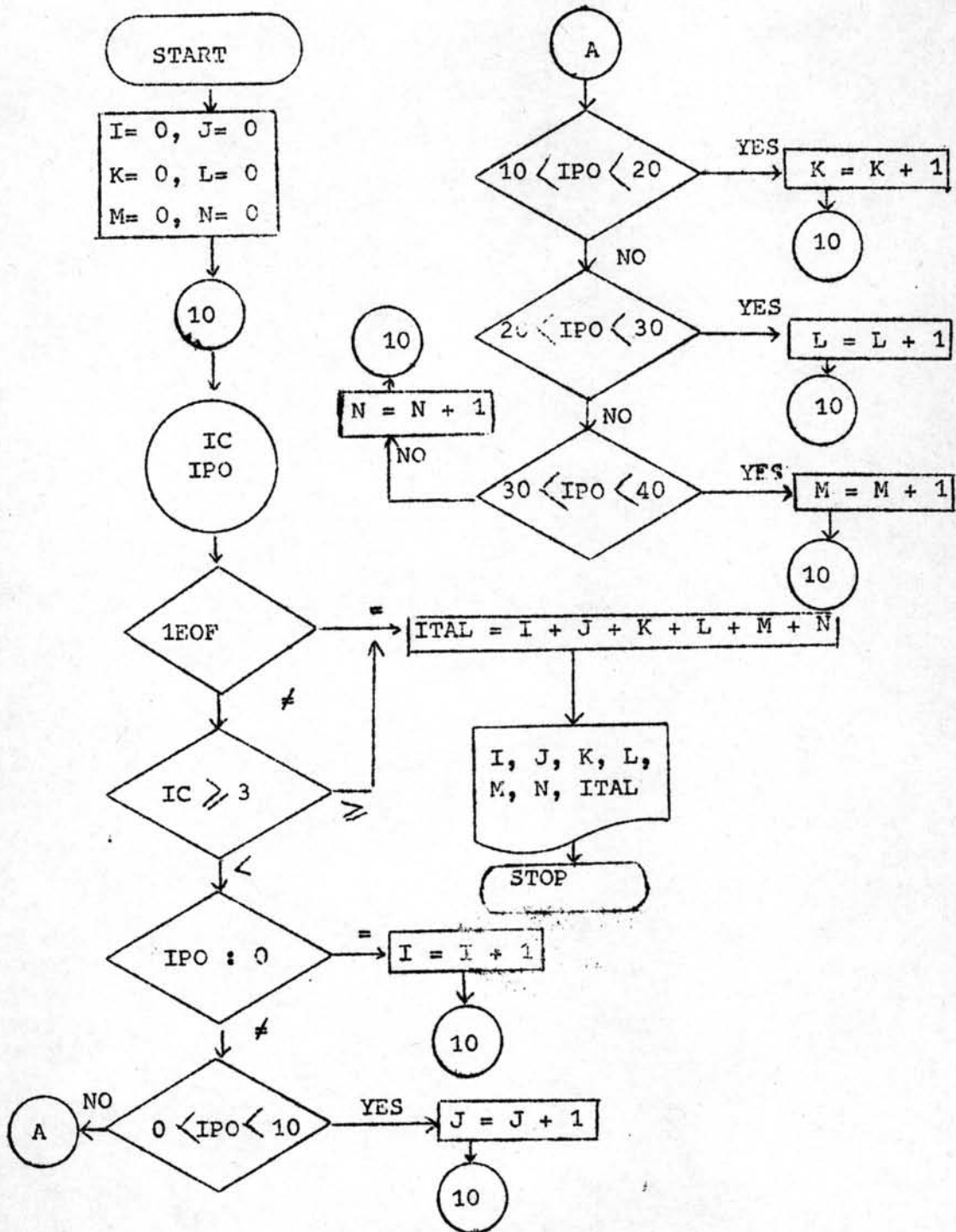


```
*JOBID,NOLIST
*JOBID,*CIDNO
C PROGRAM CHECK DATA
C TAPE=1 USE STAFF SORT COL. 1%4
C TAPE=2 USE COURSE SORT COL. 32%35
REWIND 6
REWIND 7
READ(6,601) IDN01
CALL EOF(I)
IF(I.EQ.1) GO TO 25
5 READ(7,701) IDN02
CALL EOF(I)
IF(I.EQ.1) GO TO 25
12 IF(IDN01-IDN02) 10,5,20
10 READ(6,601) IDN01
CALL EOF(I)
IF(I.NE.1) GO TO 12
15 READ(7,701) IDN02
CALL EOF(I)
IF(I.EQ.1) GO TO 25
WRITE(3,301) IDN02
GO TO 15
20 WRITE(3,301) IDN02
GO TO 5
25 REWIND 6
REWIND 7
601 FORMAT(I4)
701 FORMAT(31X,I4)
301 FORMAT(15X,6HIDNO. ,I5)
STOP
END
```


ผนวก 2

แสดงผังงาน F01 โปรแกรม F01 และผลจากโปรแกรม F01

F01



```

*JOBID,NOLIST
*JOBID,*F01
C   PROGRAM 1
C   FIND NUMBER OF STAFF BY RANK CLASSIFICATION
C   USE TAPE NAME SATFF
DATA I,J,K,L,M,N/5*0/
PAUSE
REWIND 6
30 READ(6,601) IC,IPO
CALL EOF(II)
IF(II.EQ.1) GO TO 100
IF(IC-3) 40,100,100
40 IF(IPO.EQ.0) GO TO 5
IF(IPO.GT.0.AND.IPO.LT.10) GO TO 10
IF(IPO.GT.10.AND.IPO.LT.20) GO TO 15
IF(IPO.GT.20.AND.IPO.LT.30) GO TO 20
IF(IPO.GT.30.AND.IPO.LT.40) GO TO 25
N=N+1
GO TO 30
5 I=I+1
GO TO 30
10 J=J+1
GO TO 30
15 K=K+1
GO TO 30
20 L=L+1
GO TO 30
25 M=M+1
GO TO 30
100 WRITE(3,300)
WRITE(3,301) I
WRITE(3,302) J
WRITE(3,303) K
WRITE(3,304) L
WRITE(3,305) M
WRITE(3,306) N
ITAL=I+J+K+L+M+N
WRITE(3,307) ITAL
REWIND 6
601 FORMAT(I1,4X,I2)
300 FORMAT(19X,15HNUMBER OF STAFF//
*16X,22HBY RANK CLASSIFICATION///
*20X,4HRANK,12X,3HNO.)
301 FORMAT(15X,17HBEFORE OFFICIAL ,3X,I4)
302 FORMAT(15X,17HFOURTH GRADE ,3X,I4)
303 FORMAT(15X,17HTHIRD GRADE ,3X,I4)
304 FORMAT(15X,17HSECOND GRADE ,3X,I4)
305 FORMAT(15X,17HFIRST GRADE ,3X,I4)

```

```
306 FORMAT(15X,17HSPECIAL GRADE ,3X,I4)  
307 FORMAT(15X,5HTOTAL,15X,I4)  
STOP  
END
```

*F01 010 *

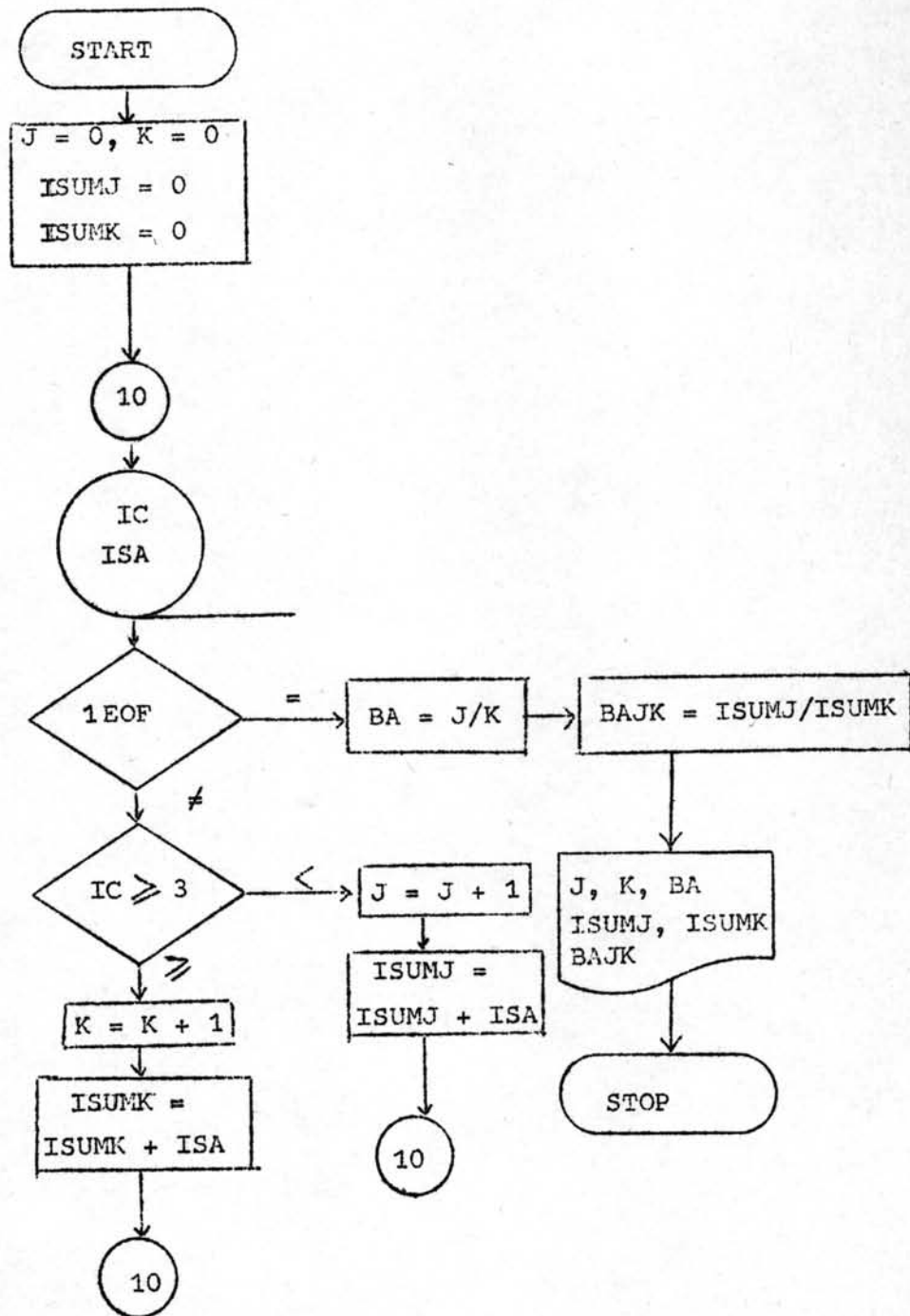
NUMBER OF STAFF
BY RANK CLASSIFICATION

RANK		NO.
BEFORE	OFFICIAL	33
FOURTH	GRADE	0
THIRD	GRADE	26
SECOND	GRADE	94
FIRST	GRADE	20
SPECIAL	GRADE	0
TOTAL		173

ผนวก 3

แสดงผังงาน F02 โปรแกรม F02 และผลจากโปรแกรม F02

F02




```

*JOBID,NOLIST
*JOBID,*F02
*JOBID,I6
C   PROGRAM 2
C   FIND NUMBER AND RATIO OF SUPPORTING STAFF AND STAFF
C   BY MAN POWER AND TOTAL SALARIES
C   USE TAPE NAME STAFF
    PAUSE
    J=0
    K=0
    ISUMJ=0
    ISUMK=0
    REWIND 6
15  READ(6,601) IC,ISA
    CALL EOF(II)
    IF(II.EQ.1) GO TO 100
    IF(IC-3) 5,10,10
    5  J=J+1
    ISUMJ=ISUMJ+ISA
    GO TO 15
10  K=K+1
    ISUMK=ISUMK+ISA
    GO TO 15
100 AK=K
    BJ=J
    BA=BJ/AK
    ASK=ISUMK
    BSJ=ISUMJ
    BAJK=BSJ/ASK
    WRITE(3,300)
    WRITE(3,301)K,J,BA
    WRITE(3,302)ISUMK,ISUMJ,BAJK
300 FORMAT(17X,46HNUMBER AND RATIO OF SUPPORTING STAFF AND STAFF//
*25X,31HBY MAN POWER AND TOTAL SALARIES///
*20X,16HSUPPORTING STAFF,7X,5HSTAFF,7X,5HRATIO)
301 FORMAT(5X,9HMAN POWER,12X,I4,13X,I4,6X,3H1 ;,F4.1)
302 FORMAT(5X,14HTOTAL SALARIES,4X,I7,10X,I7,6X,3H1 ;,F4.1)
601 FORMAT(I1,7X,I5)
    REWIND 6
    STOP
    END

```

*F02 010 *

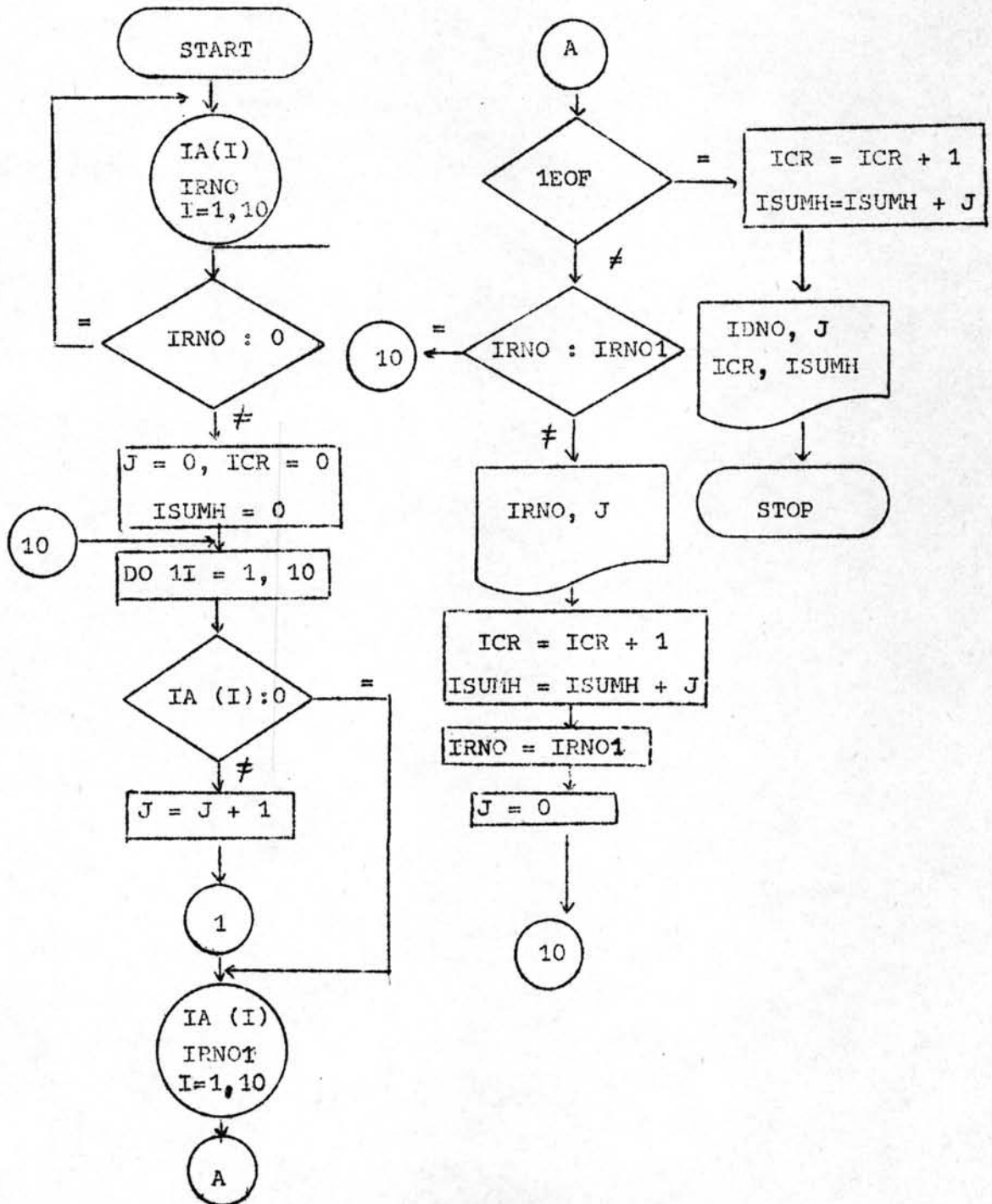
NUMBER AND RATIO OF SUPPORTING STAFF AND STAFF
BY MAN POWER AND TOTAL SALARIES.

	SUPPORTING STAFF	STAFF	RATIO
MAN POWER	94	173	1 : 1.8
TOTAL SALARIES	85920	447820	1 : 5.2

ผนวก 4

แสดงผังงาน F03 โปรแกรม F03 และผลจากโปรแกรม F03

F03



```

*JOBID,NOLIST
*JOBID,*F03
*JOBID,I4
C   PROGRAM 3
C   FIND ROOM UTILIZE HOURS PER WEEK
C   USE TAPE NAME COURSE SORT COL.37-40
    DIMENSION IA(10)
    PAUSE
    WRITE(3,300)
    REWIND 6
20  READ(6,601) (IA(I),I=1,10),IRNO
    IF(IRNO.EQ.0) GO TO 20
    CALL EOF(I)
    IF(I.EQ.1) GO TO 100
    J=0
    ICR=0
    ISUMH=0
15  DO 1I=1,10
    IF(IA(I).EQ.0) GO TO 10
    J=J+1
1   CONTINUE
10  READ(6,601) (IA(I),I=1,10),IRNO1
    CALL EOF(I)
    IF(I.EQ.1) GO TO 95
    IF(IRNO.EQ.IRNO1) GO TO 15
    CEN=FLOAT(J)*100./35.
    WRITE(3,301) IRNO,J,CEN
    ICR=ICR+1
    ISUMH=ISUMH+J
    IRNO=IRNO1
    J=0
    GO TO 15
95  CEN=FLOAT(J)*100./35.
    WRITE(3,301) IRNO,J,CEN
    ICR=ICR+1
    ISUMH=ISUMH+J
    TCEN=FLOAT(ISUMH)*100./(FLOAT(ICR)*35.)
    WRITE(3,302) ICR,ISUMH,TCEN
100 REWIND 6
601 FORMAT(10X,10I2,6X,I4)
300 FORMAT(16X,27HROOM UTILIZE HOURS PER WEEK///
*13X,8HROOM NO.,7X,5HHOURS,7X,7HPERCENT/)
301 FORMAT(15X,I4,11X,I2,8X,F6.2)
302 FORMAT(14X,5HTOTAL,I3,5HROOMS,I5,8X,F6.2)
    STOP
    END

```

•F03 010 •

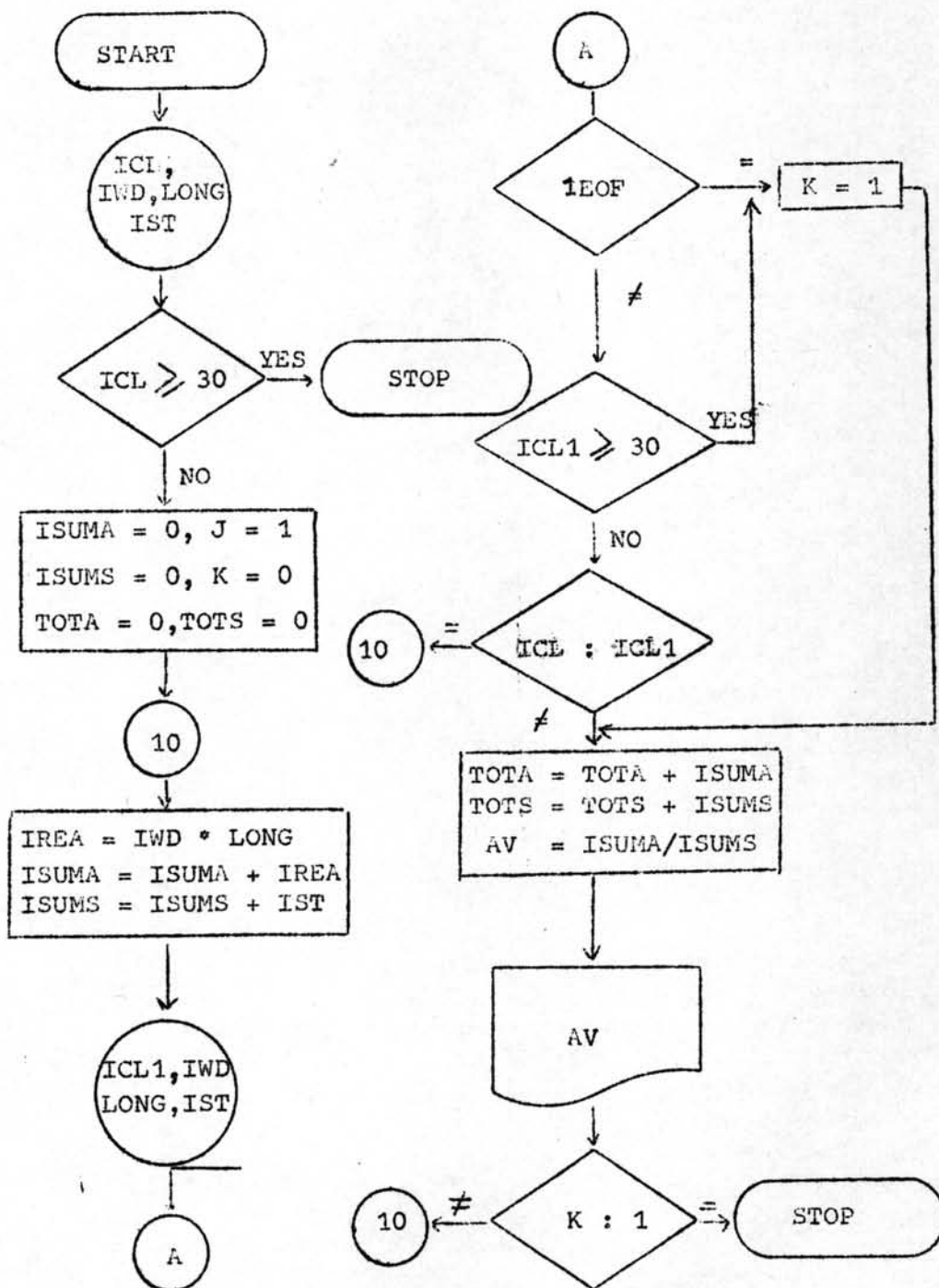
ROOM UTILIZE HOURS PER WEEK

ROOM NO.	HOURS	PERCENT
1101	20	57.14
1102	20	57.14
1103	20	57.14
	707	
4009	6	17.14
4010	4	11.43
4011	8	22.86
TOTAL 87ROOMS	1971	64.73

ผนวก 5

แสดงผังงาน FO4 โปรแกรม FO4 และผลจากโปรแกรม FO4

FO4



```
*JOBID,NOLIST
*JOBID,*F04
C   PROGRAM 4
C   FIND AVERAGE AREA PER HEAD PER CLASS LEVEL
C   USE TAPE NAME ROOMI SORT COL. 1-2
   PAUSE
   WRITE(3,300)
   REWIND 6
   READ(6,601) ICL,IWD,LONG,IST
   CALL EOF(II)
   IF(II.EQ.1) GO TO 100
   IF(ICL-30) 10,100,100
10  ISUMA=0
   ISUMS=0
   TOTA=0
   TOTS=0
   J=1
   K=0
25  IREA=IWD*LONG
   ISUMA=ISUMA+IREA
   ISUMS=ISUMS+IST
   READ(6,601) ICL1,IWD,LONG,IST
   CALL EOF(II)
   IF(II.EQ.1) GO TO 15
   IF(ICL1-30) 20,15,15
20  IF(ICL.EQ.ICL1) GO TO 25
45  SUMA=ISUMA
   SUMS=ISUMS
   AV=SUMA/SUMS
   TOTA=TOTA+SUMA
   TOTS=TOTS+SUMS
   IF(ICL-20) 30,35,35
35  JJ=J-6
   WRITE(3,302) JJ,AV
40  IF(K.EQ.1) GO TO 100
   ISUMA=0
   ISUMS=0
   ICL=ICL1
   J=J+1
   GO TO 25
30  WRITE(3,301) J,AV
   GO TO 40
15  K=1
   GO TO 45
100 TOTAV=TOTA/TOTS
   WRITE(3,303) TOTAV
   REWIND 6
601 FORMAT(I2,3X,I2,1X,I2,1X,I3)
```

```
300 FORMAT(11X,37HAVERAGE AREA PER HEAD PER CLASS LEVEL///  
*14X,11HCLASS LEVEL,8X,12HSQUARE METRE/  
301 FORMAT(15X,7HPRATOM ,I2,14X,F4.1)  
302 FORMAT(15X,7HMATAYOM,I2,14X,F4.1)  
303 FORMAT(19X,5HTOTAL,14X,F4.1)  
STOP  
END
```

*Fo4 010 *

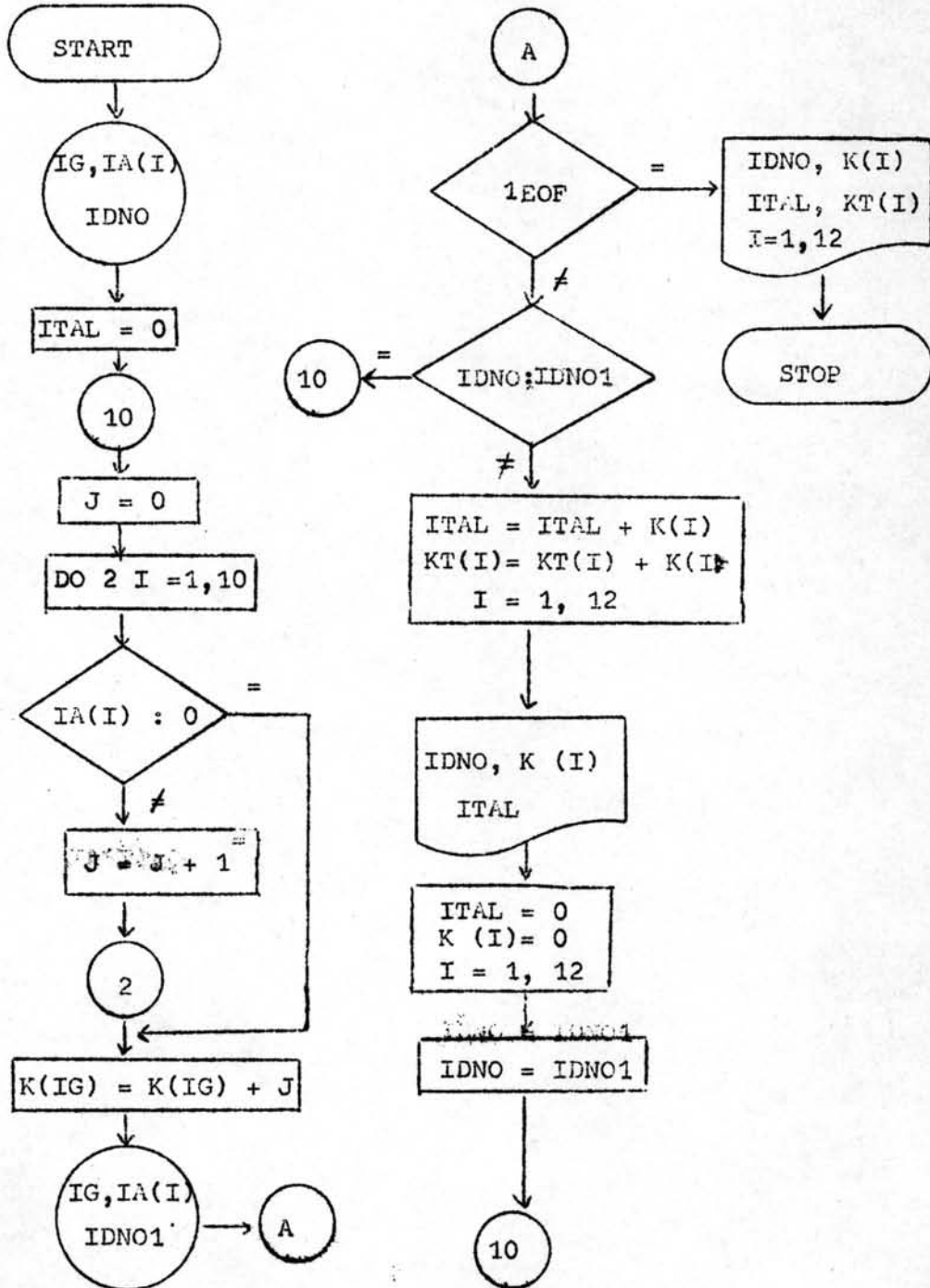
AVERAGE AREA PER HEAD PER CLASS LEVEL

CLASS LEVEL	SQUARE METRE
PRATOM 1	2.0
PRATOM 2	1.7
PRATOM 3	2.1
PRATOM 4	2.4
PRATOM 5	2.5
PRATOM 6	2.6
MATAYOM 1	1.6
MATAYOM 2	1.8
MATAYOM 3	1.8
MATAYOM 4	1.7
MATAYOM 5	2.0
MATAYOM 6	1.9
TOTAL	2.0

แผนก 6

แสดงผังงาน F05 โปรแกรม F05 และผลจากโปรแกรม F05

F05



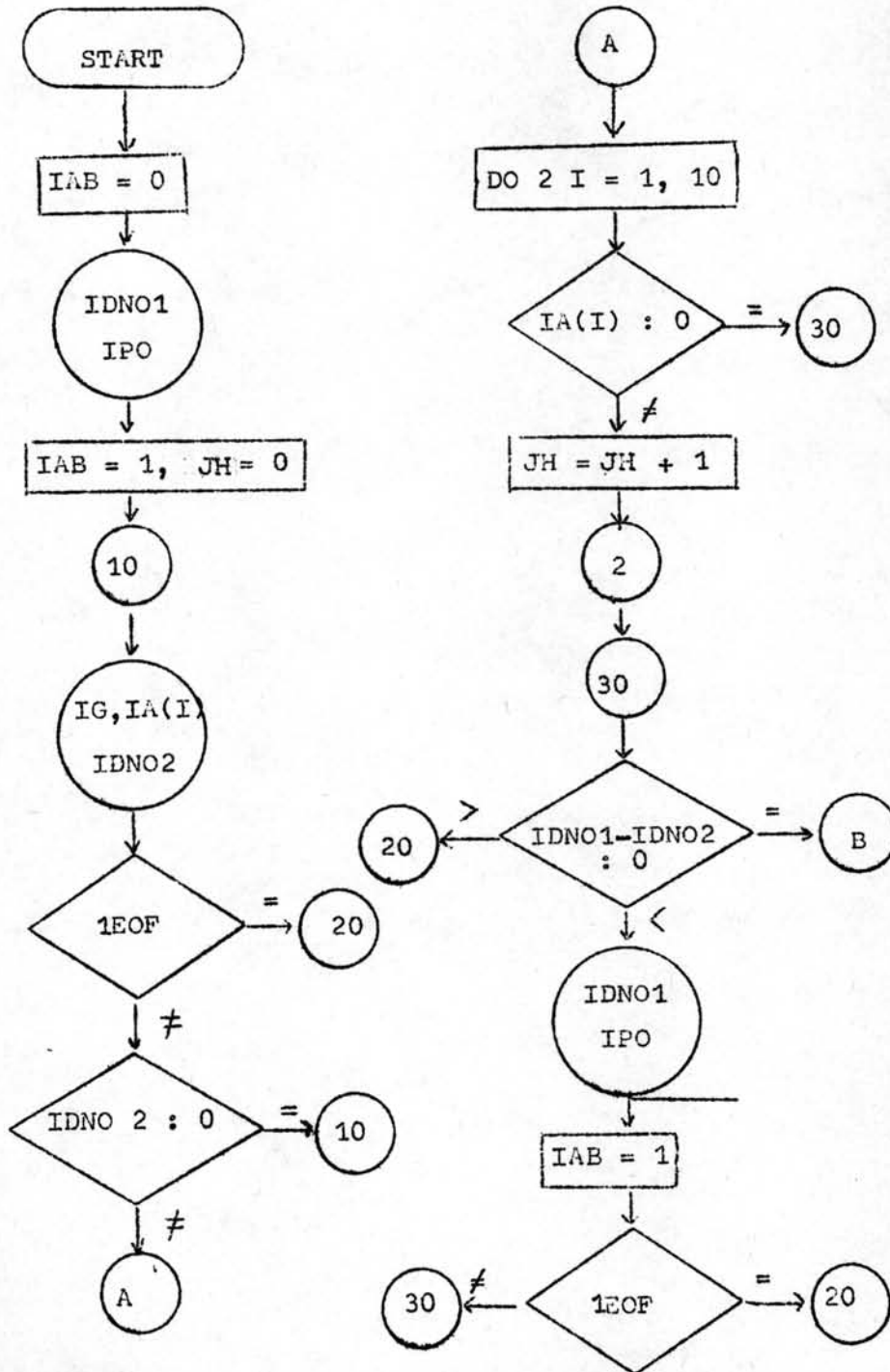

```
*JOBID,NOLIST
*JOBID,*F05
*JOBID,I4
C PROGRAM 5
C FIND TEACHING LOAD OF EACH TEACHER
C P=PRATOM, M=MATAYOM
C USE TAPE NAME COURSE SORT COL. 32-35
INTEGER SUMT
DIMENSION K(12),KT(12),IA(10)
PAUSE
WRITE(3,301)
DO 1I=1,12
K(I)=0
KT(I)=0
1 CONTINUE
REWIND 6
READ(6,601)IG,(IA(I),I=1,10),IDNO
CALL EOF(II)
IF(II.EQ.1) GO TO 100
ITAL=0
20 J=0
15 DO 2I=1,10
IF(IA(I).EQ.0) GO TO 10
J=J+1
2 CONTINUE
10 K(IG)=K(IG)+J
READ(6,601)IG,(IA(I),I=1,10),IDNO1
CALL EOF(II)
IF(II.EQ.1) GO TO 21
IF(IDNO.EQ.IDNO1) GO TO 20
21 DO 3I=1,12
ITAL=ITAL+K(I)
KT(I)=KT(I)+K(I)
3 CONTINUE
IF(II.EQ.1) GO TO 99
WRITE(3,302)IDNO,(K(I),I=1,12),ITAL
ITAL=0
DO 4I=1,12
K(I)=0
4 CONTINUE
IDNO=IDNO1
GO TO 20
99 WRITE(3,302)IDNO,(K(I),I=1,12),ITAL
SUMT=0
DO 5I=1,12
SUMT=SUMT+KT(I)
5 CONTINUE
WRITE(3,303)(KT(I),I=1,12),SUMT
```

```
100 REWIND 6
601 FORMAT(4X,I2,4X,10I2,1X,A4)
301 FORMAT(33X,33HTEACHING LOAD IN HOURS PER PERSON//
*5X,41HIDNO.      P1      P2      P3      P4      P5      P6
*4X,43HM1      M2      M3      M4      M5      M6      TOTAL/)
302 FORMAT(6X,A4,12(4X,I2),7X,I3)
303 FORMAT(/5X,5HTOTAL,12(3X,I3),6X,I4)
STOP
END
```

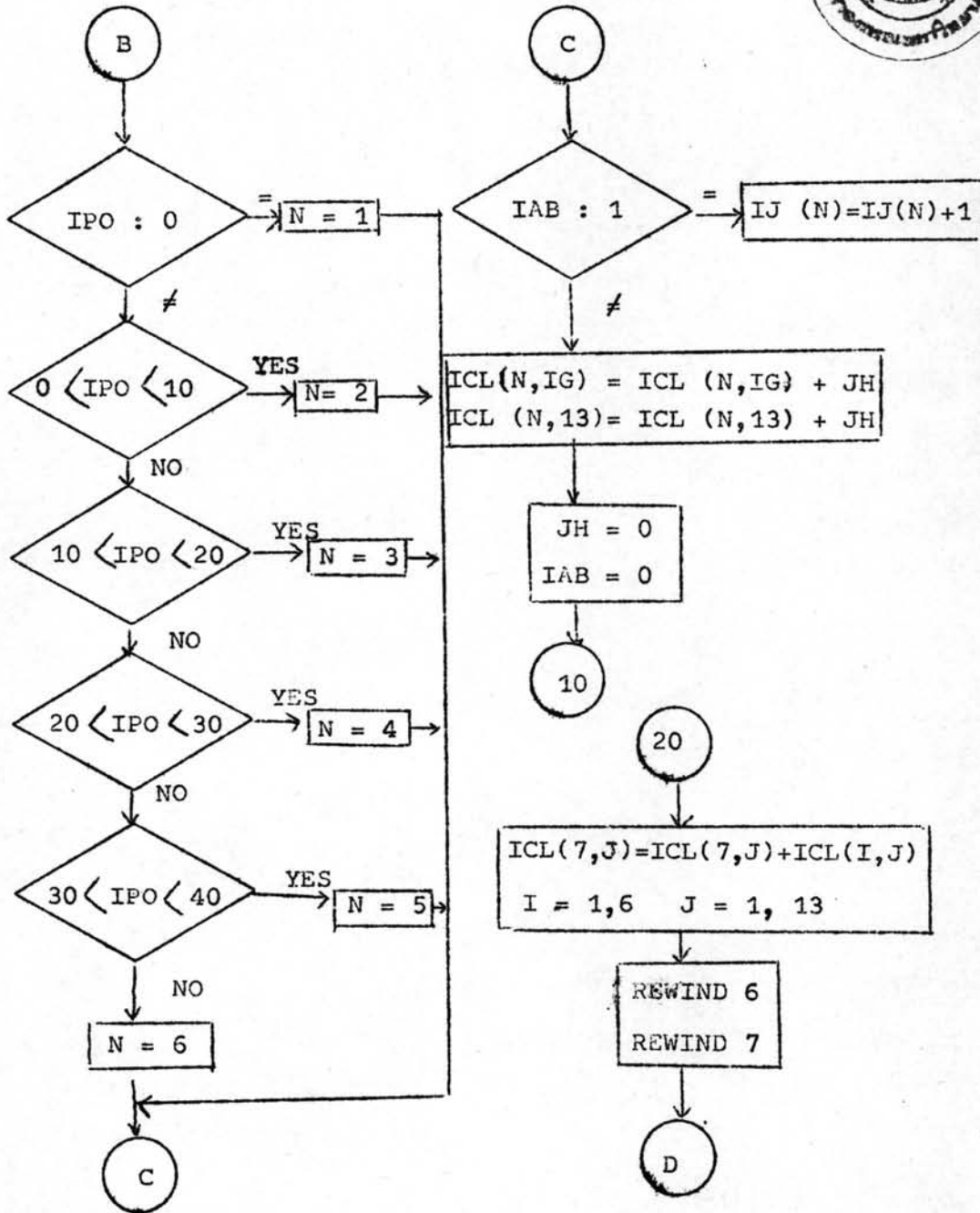

ผนวก 7

แสดงผังงาน F06 โปรแกรม F06 และผลจากโปรแกรม F06

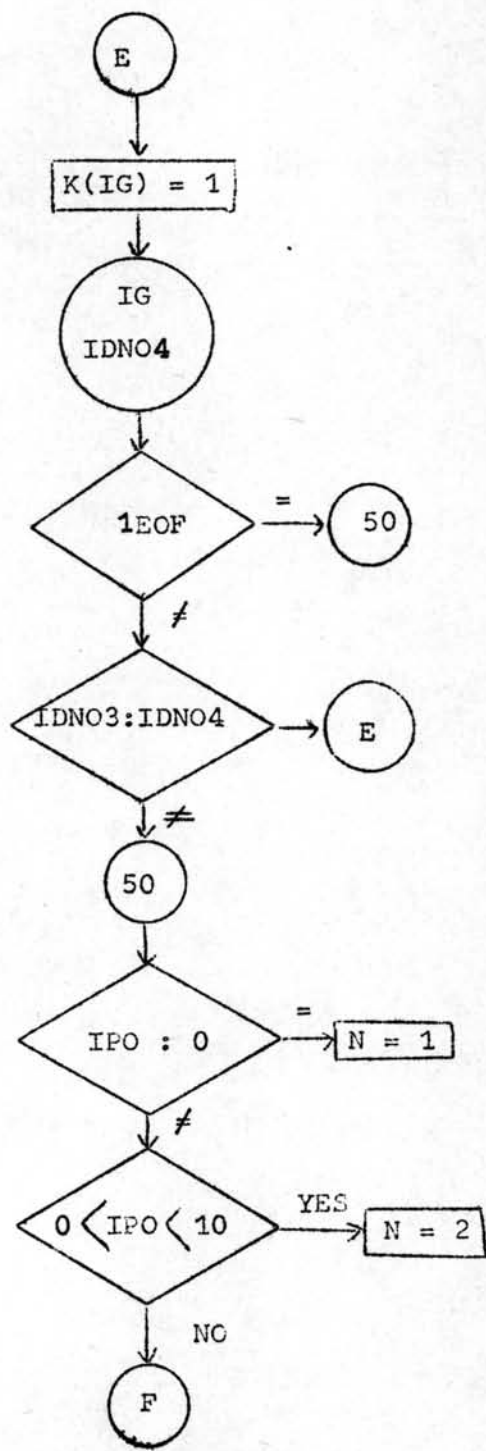
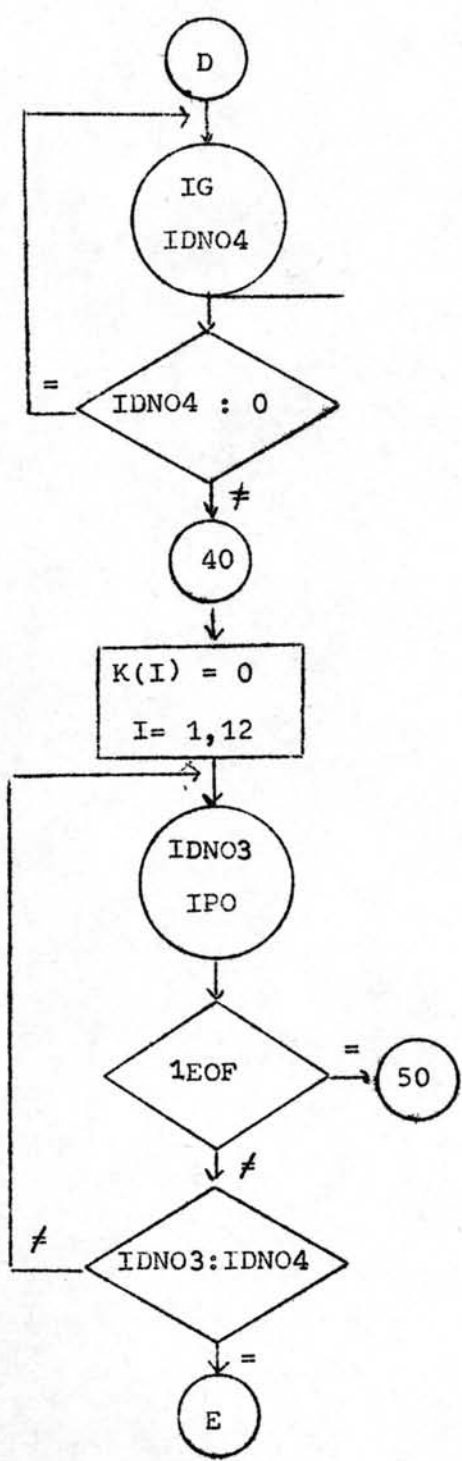
F06



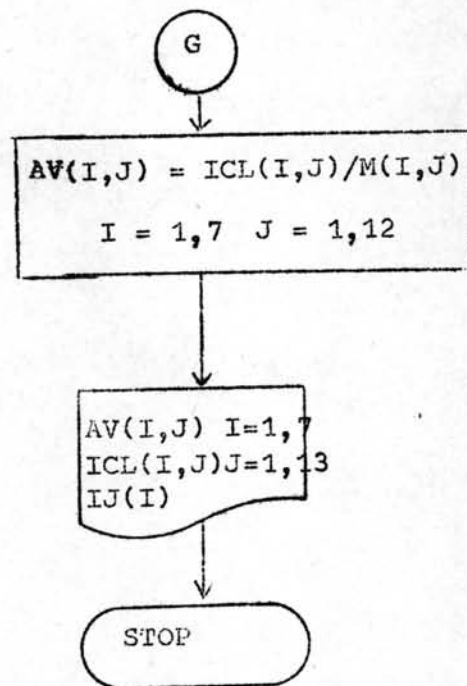
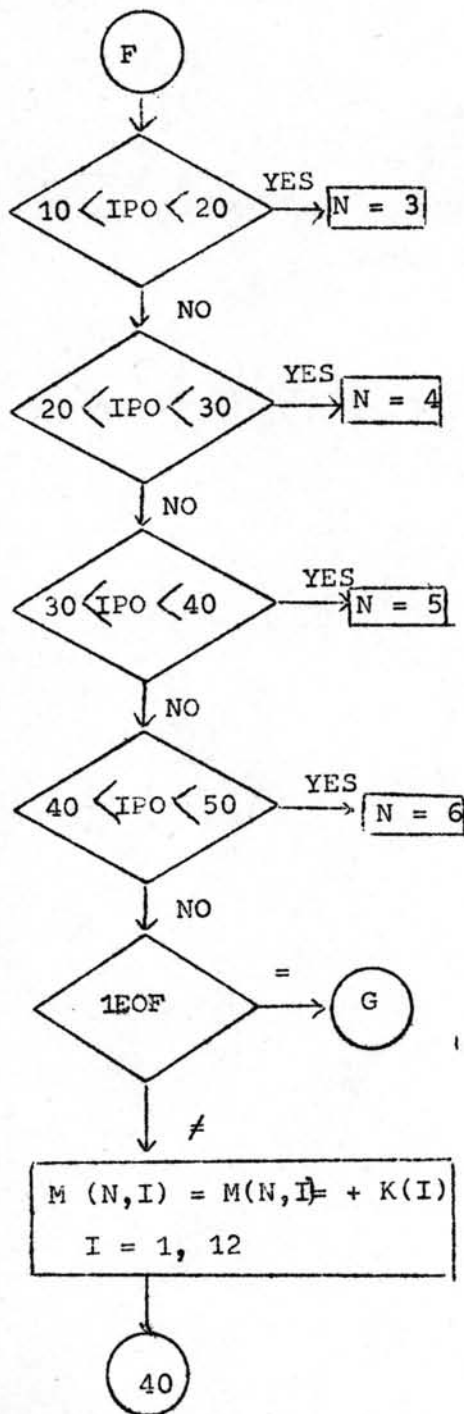
F06 CONT.



F06 CONT.



F06 CONT.



```

*JOBID,NOLIST
*JOBID,*F06
C   PROGRAM 6
C   FIND TEACHING LOAD BY RANK CLASSIFICATION
C   IN HOURS PER PERSON
C   P=PRATOM,M=MATAYOMI
C   TAPE=6 USE STAFF SORT COL.1-4
C   TAPE=7 USE COURSE SORT COL.32-35
C   DIMENSION IA(10),ICL(7,13),K(12),M(7,13),AV(7,13),IJ(7),NA(7,5)
C   DATA ((NA(I,J),J=1,5),I=1,6)/3HBEF,3HORE,3H OF,3HFIC,3HIAL,
*3HFOU,3HRTH,3H G,3HRAD,3HE ;
*3HTHI,3HRD ,3H G,3HRAD,3HE ;
*3HSEC,3HOND,3H G,3HRAD,3HE ;
*3HFIR,3HST ,3H G,3HRAD,3HE ;
*3HSPE,3HCIA,3HL G,3HRAD,3HE /
PAUSE
IAB=0
D01I=1,7
IJ(I)=0
D01J=1,13
M(I,J)=0
1 ICL(I,J)=0
REWIND 6
REWIND 7
READ(6,601) IDN01,IPO
IAB=1
CALL EOF(II)
IF(II.EQ.1) GO TO 100
JH=0
10 READ(7,701)IG,(IA(I),I=1,10),IDN02
CALL EOF(II)
IF(II.EQ.1) GO TO 95
IF(IDN02.EQ.0) GO TO 10
D02I=1,10
IF(IA(I).EQ.0) GO TO 25
2 JH=JH+1
25 IF(IDN01-IDN02) 20,15,95
20 READ(6,601) IDN01,IPO
IAB=1
CALL EOF(II)
IF(II.EQ.1) GO TO 95
GO TO 25
15 IF(IPO.EQ.0) GO TO 30
IF(IPO.GT.0.AND.IPO.LT.10) GO TO 35
IF(IPO.GT.10.AND.IPO.LT.20) GO TO 40
IF(IPO.GT.20.AND.IPO.LT.30) GO TO 45
IF(IPO.GT.30.AND.IPO.LT.40) GO TO 50
N=6

```

```
IF(IAB.NE.1) GO TO 55
IJ(6)=IJ(6)+1
GO TO 55
30 N=1
IF(IAB.NE.1) GO TO 55
IJ(1)=IJ(1)+1
GO TO 55
35 N=2
IF(IAB.NE.1) GO TO 55
IJ(2)=IJ(2)+1
GO TO 55
40 N=3
IF(IAB.NE.1) GO TO 55
IJ(3)=IJ(3)+1
GO TO 55
45 N=4
IF(IAB.NE.1) GO TO 55
IJ(4)=IJ(4)+1
GO TO 55
50 N=5
IF(IAB.NE.1) GO TO 55
IJ(5)=IJ(5)+1
55 ICL(N,IG)=ICL(N,IG)+JH
ICL(N,13)=ICL(N,13)+JH
JH=0
IAB=0
GO TO 10
95 DO3J=1,13
DO3I=1,6
ICL(7,J)=ICL(7,J)+ICL(I,J)
3 CONTINUE
100 REWIND 6
REWIND 7
70 READ(7,702) IG,IDN04
IF(IDN04.EQ.0) GO TO 70
60 DO 5I=1,12
5 K(I) = 0
65 READ(6,601)IDN03,IPO
CALL EOF(II)
IF(II.EQ.1) GO TO 75
IF(IDN03.NE.IDN04) GO TO 65
80 K(IG)=1
READ(7,702) IG,IDN04
CALL EOF(II)
IF(II.EQ.1) GO TO 75
IF(IDN03.EQ.IDN04) GO TO 80
75 IF(IPO.EQ.0) N=1
IF(IPO.GT.0.AND.IPO.LT.10) N=2
```

```

IF(IPO.GT.10.AND.IPO.LT.20) N=3
IF(IPO.GT.20.AND.IPO.LT.30) N=4
IF(IPO.GT.30.AND.IPO.LT.40) N=5
IF(IPO.GT.40.AND.IPO.LT.50) N=6
IF(II.EQ.1) GO TO 85
DO 6I=1,12
6 M(N,I)=M(N,I)+K(I)
GO TO 60
85 DO 7J=1,12
DO 7I=1,6
7 M(7,J)=M(7,J)+M(I,J)
DO 8I=1,7
IJ(7)=IJ(7)+IJ(I)
DO 8J=1,12
AV(I,J)=FLOAT(ICL(I,J))/FLOAT(M(I,J))
IF(M(I,J).EQ.0) GO TO 1000
GO TO 8
1000 AV(I,J)=0.0
8 CONTINUE
IJ(7)=IJ(7)/2
DO 9I=1,7
AV(I,13)=FLOAT(ICL(I,13))/FLOAT(IJ(I))
IF(IJ(I).EQ.0) GO TO 2000
GO TO 9
2000 AV(I,13)=0.0
9 CONTINUE
WRITE(3,300)
DO 11I=1,6
11 WRITE(3,301) (NA(I,J),J=1,5),(AV(I,J),J=1,13),ICL(I,13),IJ(I)
WRITE(3,302) (AV(7,I),I=1,13),ICL(7,13),IJ(7)
REWIND 6
REWIND 7
300 FORMAT(34X,36HTEACHING LOAD BY RANK CLASSIFICATION,
*20H IN HOURS PER PERSON///
*108X,14HTOTAL TOTAL/
*10X,4HRANK,11X,32HP1 P2 P3 P4 P5 P6
*4X,43HM1 M2 M3 M4 M5 M6 AVERAGE
*4X,15HHOURS STAFFS/)
301 FORMAT(5X,5A3,2X,12F6.1,3X,F6.1,5X,I4,5X,I4)
302 FORMAT(/9X,7HAVERAGE,6X,12F6.1,3X,F6.1,5X,I4,5X,I4)
601 FORMAT(I4,1X,I2)
701 FORMAT(4X,I2,4X,10I2,1X,I4)
702 FORMAT(4X,I2,25X,I4)
STOP
END

```


*F06 010

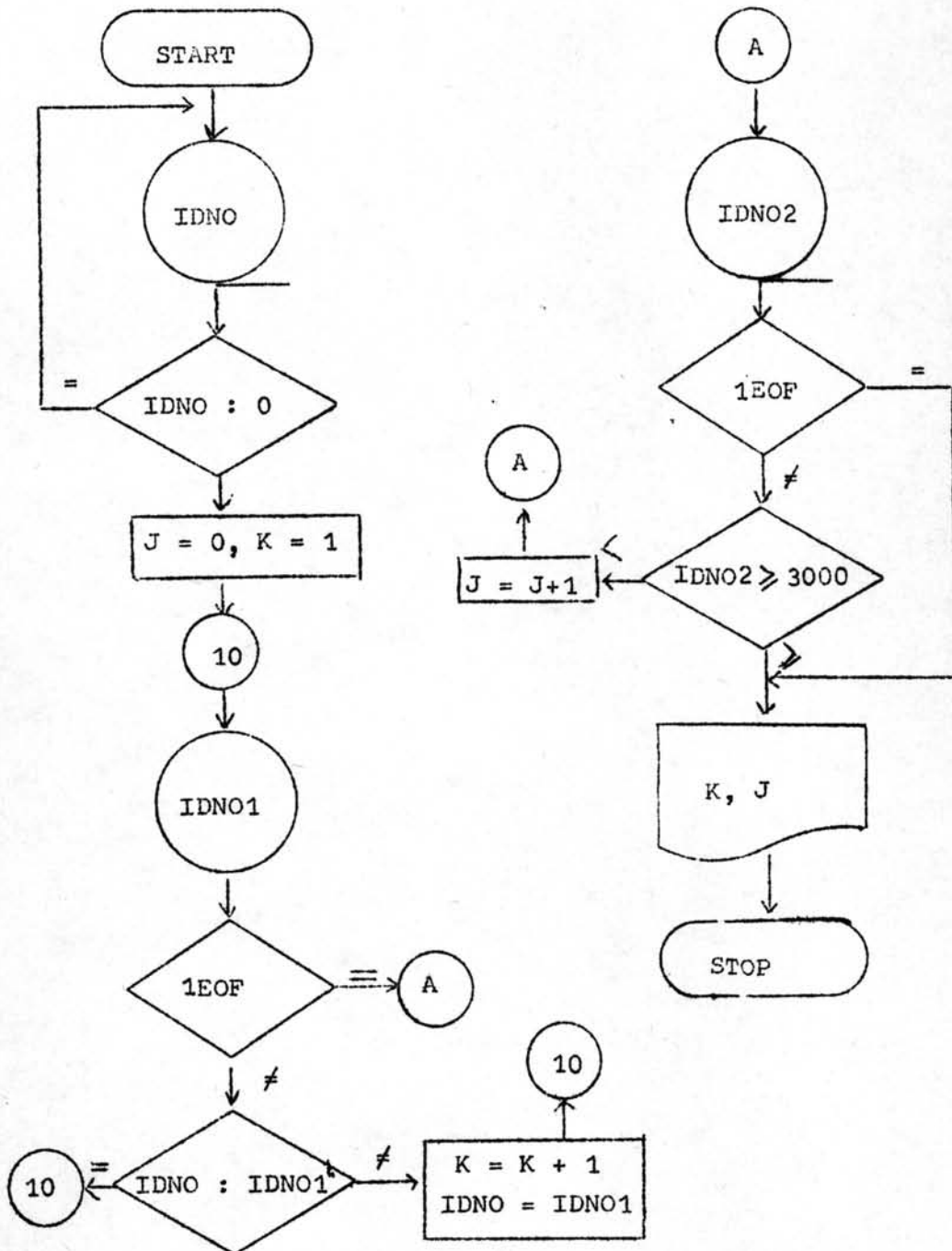
TEACHING LOAD BY RANK CLASSIFICATION IN HOURS PER PERSON

RANK	P1	P2	P3	P4	P5	P6	M1	M2	M3	M4	M5	M6	AVERAGE	TOTAL HOURS	TOTAL STAFFS
BEFORE OFFICIAL	11.3	13.9	11.2	10.0	6.5	10.2	6.4	3.3	2.5	2.5	4.0	4.0	15.1	468	31
FOURTH GRADE	0.0	0.0	0.0	0.0	0.0	0.0	0.0	0.0	0.0	0.0	0.0	0.0	0.0	0	0
THIRD GRADE	6.0	6.0	15.0	8.0	9.5	6.5	5.7	7.1	5.6	3.9	5.0	0.0	12.7	304	24
SECOND GRADE	19.0	19.0	9.3	8.2	7.4	8.2	4.9	5.2	3.9	5.4	5.6	5.2	12.9	1048	81
FIRST GRADE	19.0	0.0	0.0	4.0	6.5	6.0	16.0	6.7	8.0	5.0	5.2	7.7	11.7	211	18
SPECIAL GRADE	0.0	0.0	0.0	0.0	0.0	0.0	0.0	0.0	0.0	0.0	0.0	0.0	0.0	0	0
AVERAGE	13.6	13.6	10.3	8.3	7.5	8.1	5.7	5.6	4.7	4.8	5.4	5.9	13.2	2031	154

แผนก 8

แสดงผังงาน F07 โปรแกรม F07 และผลจากโปรแกรม F07

F07



```

*JOBID,NOLIST
*JOBID,*F07
C   PROGRAM 7
C   FIND NUMBER OF HAVE CLASS TEACHER AND NO CLASS TEACHER
C   TAPE=6 USE COURSE SORT COL.32-35
C   TAPE=7 USE STAFF SORT COL.1-4
    PAUSE
    REWIND 6
    REWIND 7
10  READ(6,601)IDNO
    IF(IDNO.EQ.0) GO TO 10
    CALL EOF(II)
    IF(II.EQ.1) GO TO 100
    K=0
    J=0
    K=K+1
20  READ(6,601)IDN01
    CALL EOF(II)
    IF(II.EQ.1) GO TO 15
    IF(IDNO.EQ.IDN01) GO TO 20
    K=K+1
    IDNO=IDN01
    GO TO 20
15  READ(7,701)IDN02
    CALL EOF(II)
    IF(II.EQ.1) GO TO 25
    IF(IDN02-3000)30,25,25
30  J=J+1
    GO TO 15
25  L=J-K
    WRITE(3,300)
    WRITE(3,301) K,L,J.
100 REWIND 6
    REWIND 7
300 FORMAT(6X,47HNUMBER OF HAVE CLASS STAFFS AND NO CLASS STAFFS///
    *12X,10HHAVE CLASS,5X,8HNO CLASS,7X,5HTOTAL/)
301 FORMAT(15X,I3,2(11X,I3))
601 FORMAT(31X,I4)
701 FORMAT(I4)
    STOP
    END

```

*F07 010 *

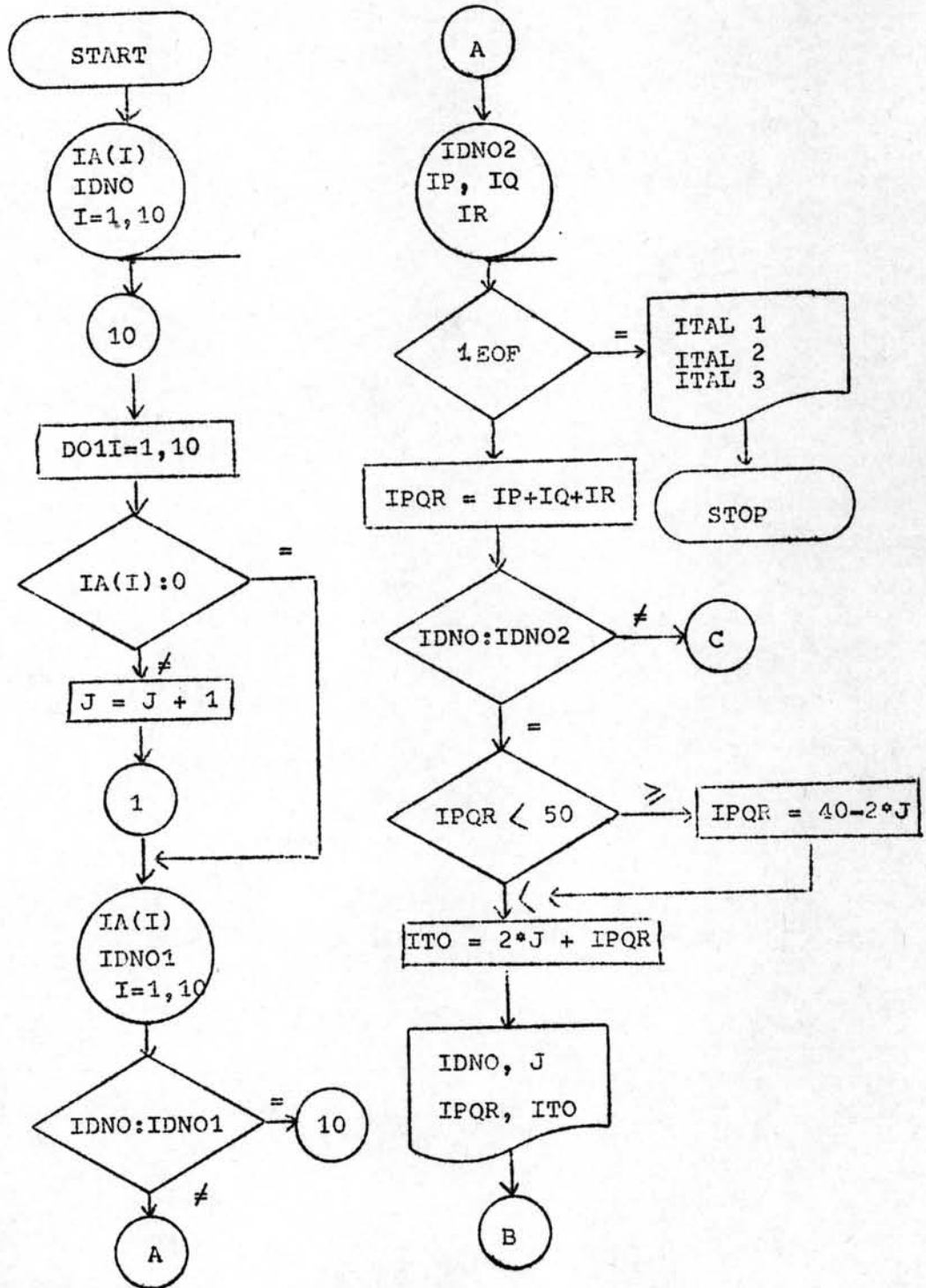
NUMBER OF HAVE CLASS TEACHER AND NO CLASS TEACHER

HAVE CLASS	NO CLASS	TOTAL
154	19	173

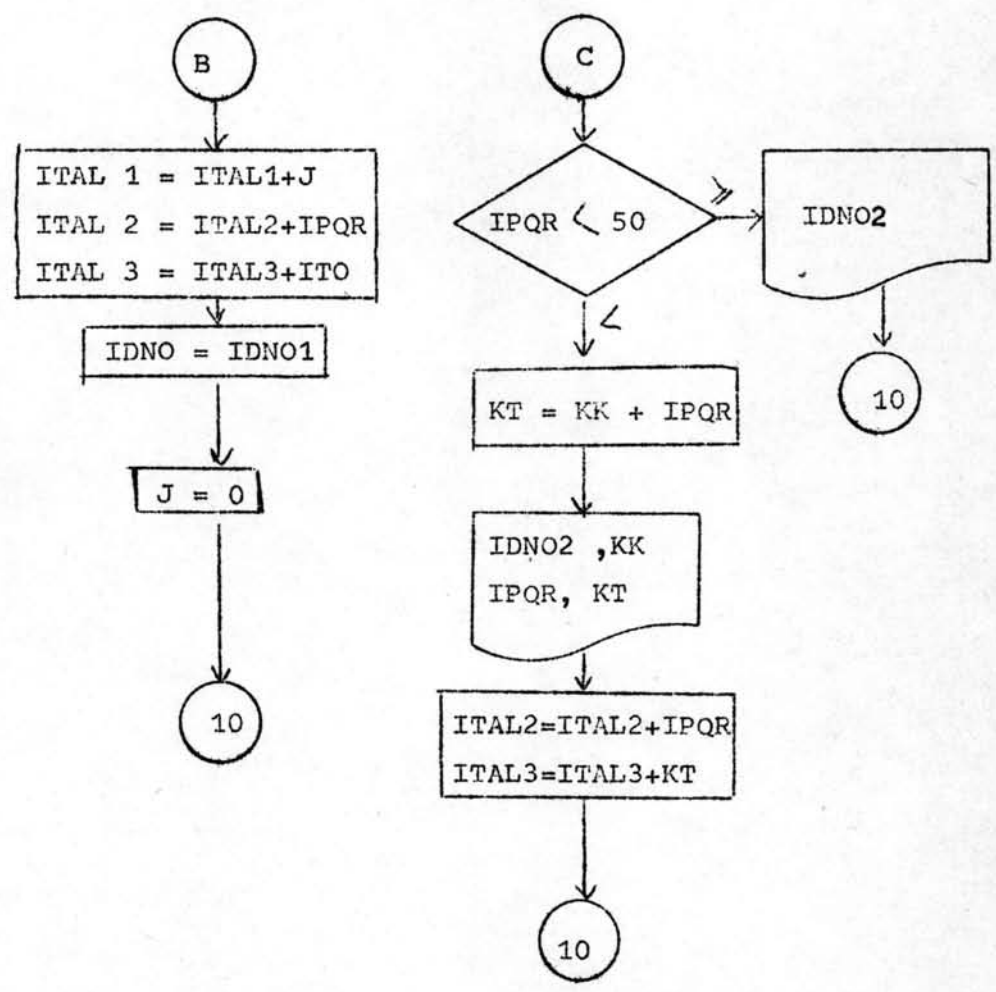
บทที่ 9

แสดงผังงาน F08 โปรแกรม F08 และผลจากโปรแกรม F08

F08



F08 CONT.



```

*JOBID,NOLIST
*JOBID,*F08
C   PROGRAM 8
C   FIND TEACHING LOAD| NON TEACHING LOAD AND WORK LOAD
C   TAPE =6 USE COURSE SORT COL. 32-35
C   TAPE =7USE STAFF SORT COL.1-4
   DIMENSION IA(10)
   DATA J, KK, ITAL1, ITAL2, ITAL3/5*0/
   PAUSE
   WRITE(3,300)
   REWIND 6
   REWIND 7
   ISUD=0
10  READ(6,601)(IA(I),I=1,10),IDNO
   IF(IDNO.EQ.0) GO TO 10
   CALL EOF(II)
   IF(II.EQ.1) GO TO 100
20  DO 1I=1,10
   IF(IA(I).EQ.0) GO TO 15
   J=J+1
   1 CONTINUE
15  READ(6,601)(IA(I),I=1,10),IDNO1
   CALL EOF(II)
   IF(II.EQ.1) GO TO 21
   IF(IDNO.EQ.IDNO1) GO TO 20
25  READ(7,701)IDNO2,IP,IQ,IR
   CALL EOF(II)
   IF(II.EQ.1) GO TO 99
   IF(IDNO2.GE.3000) GO TO 99
   IPQR=IP+IQ+IR
   IF(IDNO.EQ.IDNO2) GO TO 35
   IF(IPQR.LT.50) GO TO 30
   WRITE(3,301)IDNO2
   ITAL2=ITAL2+40
   ITAL3=ITAL3+40
   GO TO 25
30  KT=KK+IPQR
   WRITE(3,302)IDNO2, KK, IPQR, KT
   ITAL2=ITAL2+IPQR
   ITAL3=ITAL3+KT
   GO TO 25
35  IF(IPQR.LT.50) GO TO 45
   IF(IDNO.LT.2000) GO TO 40
   IPQR=40-(2*J+J/2)
50  ITO=2*J+J/2+IPQR
   GO TO 55
40  IPQR=40-2*J
   GO TO 60

```

```
45 IF(IDNO.GE.2000) GO TO 50
60 ITO=2*J+IPQR
55 WRITE(3,302)IDNO,J,IPQR,ITO
   ITAL1=ITAL1+J
   ITAL2=ITAL2+IPQR
   ITAL3=ITAL3+ITO
   IF(ISUD.EQ.1) GO TO 25
   IDNO=IDNO1
   J=0
   GO TO 20
21 ISUD=1
   GO TO 25
99 WRITE(3,303)ITAL1,ITAL2,ITAL3
100 REWIND 6
   REWIND 7
300 FORMAT(11X,31HTEACHING LOAD NON TEACHING LOAD/
   *11X,30HAND WORKING LOAD OF EACH STAFF///
   *5X,5HSTAFF,7X,31HTEACHING NON TEACHING WORKING/
   *6X,4HCODE,9X,4HLOAD,8X,4HLOAD,8X,4HLOAD/)
301 FORMAT(6X,I4,10X,2H 0,10X,2H40,10X,2H40)
302 FORMAT(6X,I4,3(10X,I2))
303 FORMAT(/5X,5HTOTAL,3(8X,I4))
601 FORMAT(10X,10I2,1X,I4)
701 FORMAT(I4,10X,I1,1X,I1,1X,I2)
   STOP
   END
```

*F08 010 *

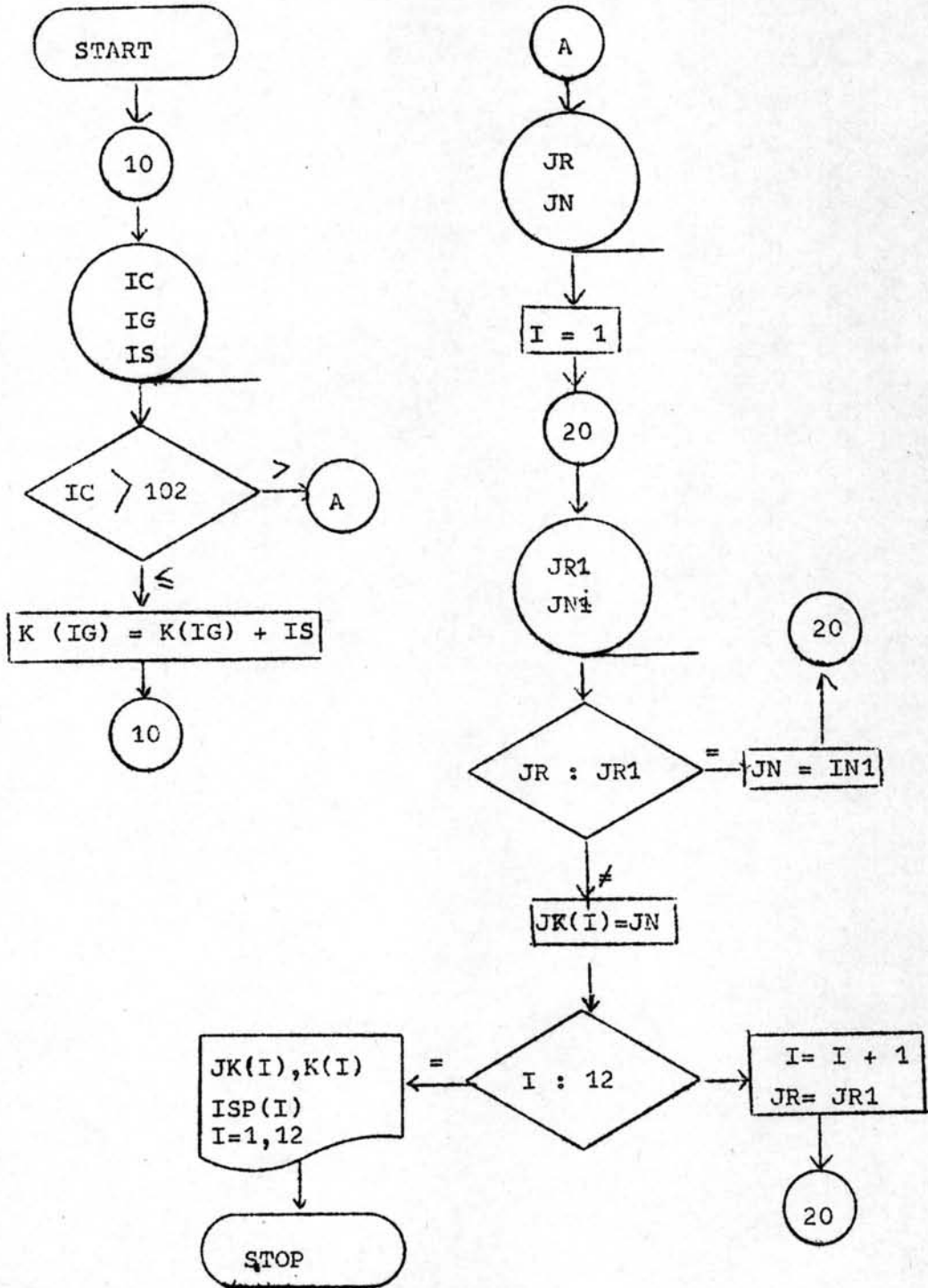
TEACHING LOAD NON TEACHING LOAD
AND WORKING LOAD OF EACH STAFF

STAFF	TEACHING	NON TEACHING	WORKING
CODE	LOAD	LOAD	LOAD
1001	7	3	17
1002	12	1	25
1003	19	3	41
		781	
2085	0	40	40
2086	0	0	0
2087	0	0	0
TOTAL	2031	827	5367

แผนภาพ 10

แสดงผังงาน F09 โปรแกรม F09 และผลจากโปรแกรม F09

F09




```

*JOBID,NOLIST
*JOBID,*F09
C   PROGRAM 9
C   FIND NUMBER OF ROOMS AND NUMBER OF STUDENTS PER CLASS LEVEL
C   TAPE=6 USE COURSE SORT COL.1-6
C   TAPE=7 USE ROOM SORT COL.1-4
C   DIMENSION K(12),JK(12),N(12),ISP(12)
C   DATA (N(I),I=1,12)/2HP1,2HP2,2HP3,2HP4,2HP5,2HP6,2HM1,2HM2,2HM3,
*2HM4,2HM5,2HM6/
C   PAUSE
C   DO 1I=1,12
C   K(I)=0
1  JK(I)=0
C   ITAL1=0
C   ITAL2=0
C   REWIND 6
C   REWIND 7
10 READ(6,601)IC,IG,IS
C   CALL EOF(II)
C   IF(II.EQ.1) GO TO 15
C   IF(IC.GT.102) GO TO 15
C   K(IG)=K(IG)+IS
C   GO TO 10
15 READ(7,701)JR,JN
C   I=1
30 READ(7,701) JR1,JN1
C   CALL EOF(II)
C   IF(II.EQ.1) GO TO 20
C   IF(JR.EQ.JR1) GO TO 25
C   JK(I)=JN
C   IF(I.EQ.12) GO TO 20
C   I=I+1
C   JR=JR1
C   GO TO 30
25 JN=JN1
C   GO TO 30
20 DO 2I=1,12
C   ISP(I)=K(I)/JK(I)
C   ITAL1=ITAL1+K(I)
2  ITAL2=ITAL2+JK(I)
C   WRITE(3,300)
C   IAV=ITAL1/ITAL2
C   DO 3I=1,12
3  WRITE(3,301)N(I),JK(I),K(I),ISP(I)
C   WRITE(3,302) ITAL2,ITAL1,IAV
C   REWIND 6
C   REWIND 7
300 FORMAT(15X,44HNUMBER OF ROOMS AND STUDENTS PER CLASS LEVEL///

```

```
*5X,44HCLASS LEVEL NO. OF ROOMS NO. OF STUDENTS,  
*3X,17HSTUDENTS PER ROOM/  
301 FORMAT(9X,A2,11X,I3,15X,I3,15X,I3)  
302 FORMAT(/8X,5HTOTAL,9X,I3,14X,I4,4X,7HAVERAGE,4X,I3)  
601 FORMAT(I3,1X,I2,35X,I3)  
701 FORMAT(2I2)  
STOP  
END
```

*F09 010 *

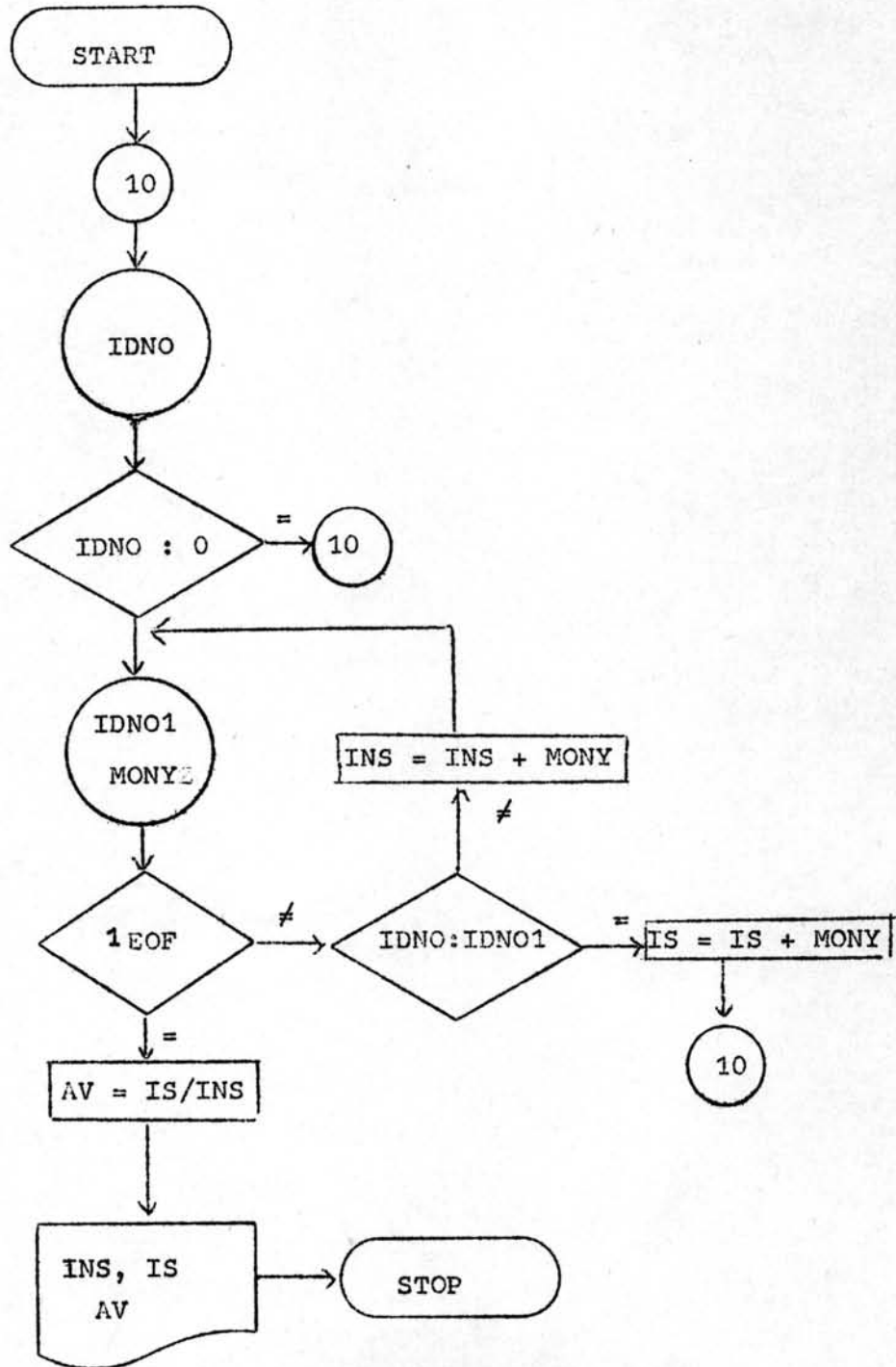
NUMBER OF ROOMS AND STUDENTS PER CLASS LEVEL

CLASS LEVEL	NO.OF ROOMS	NO.OF STUDENTS	STUDENTS PER ROOM
P1	6	220	36
P2	6	218	36
P3	7	255	36
P4	6	207	34
P5	6	203	33
P6	7	222	31
M1	6	229	38
M2	6	188	31
M3	5	155	31
M4	5	167	33
M5	5	154	30
M6	4	134	33
TOTAL	69	2352	AVERAGE 34

ผนวก ๑๑

แสดงผังงาน F10 โปรแกรม F10 และผลจากโปรแกรม F10

F10



```

*JOBID,NOLIST
*JOBID,*F10
*JOBID,I6
C PROGRAM 10
C FIND RATIO OF TEACHING STAFFS SALARIES AND NON TEACHING STAFFS
C TAPE=6 USE COURSE SORT COL. 32-35
C TAPE=7 USE STAFF SORT COL. 1-4
PAUSE
REWIND 6
REWIND 7
ISUD=0
INS=0
IS=0
10 READ(6,601)IDNO
IF(IDNO.EQ.0) GO TO 10
35 READ(6,601) IDNO2
CALL EOF(II)
IF(II.EQ.1) GO TO 40
IF(IDNO.EQ.IDNO2) GO TO 35
15 READ(7,701)IDNO1,MONY
CALL EOF(II)
IF(II.EQ.1) GO TO 25
IF(IDNO.EQ.IDNO1) GO TO 20
INS=INS+MONY
GO TO 15
20 IS=IS+MONY
IDNO=IDNO2
IF(ISUD.EQ.1) GO TO 15
GO TO 35
40 ISUD=1
GO TO 15
25 AV=FLOAT(IS)/FLOAT(INS)
WRITE(3,300)
WRITE(3,301)IS,INS,AV
REWIND 6
REWIND 7
300 FORMAT(5X,33HRATIO OF TEACHING STAFFS SALARIES/
*5X,32HAND NON TEACHING STAFFS SALARIES//
*5X,24HTEACHING NON TEACHING/
*5X,33H STAFFS STAFFS RATIO/)
301 FORMAT(5X,I7,7X,I7,6X,F4.1,3H: 1)
601 FORMAT(31X,I4)
701 FORMAT(I4,4X,I5)
STOP
END

```


*F10 010 *

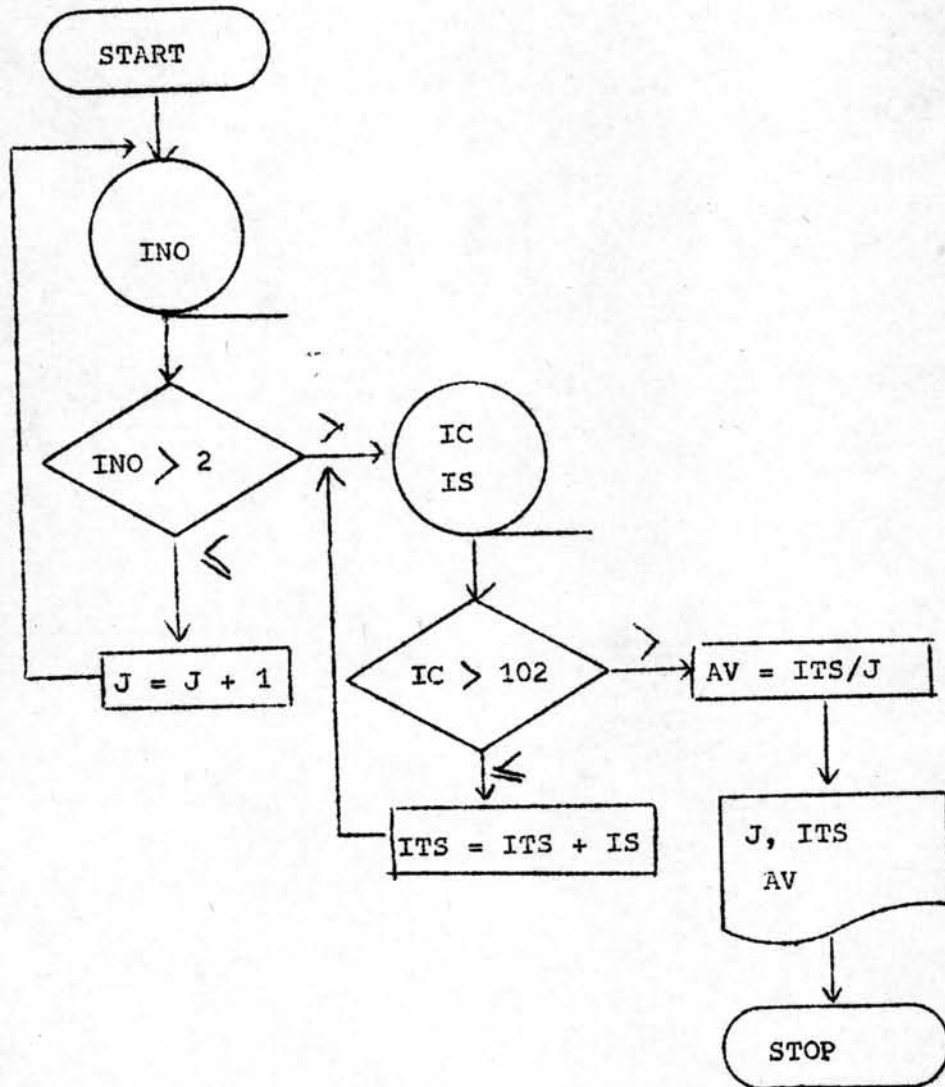
RATIO OF TEACHING STAFFS SALARIES
AND NON TEACHING STAFFS SALARIES

TEACHING	NON TEACHING	
STAFFS	STAFFS	RATIO
396215	137615	2.9 : 1

ภาพ 12

แสดงผังงาน F11 โปรแกรม F11 และผลจากโปรแกรม F11

F11



```
*JOBID,NOLIST
*JOBID,*F11
C PROGRAM 11
C FIND RATIO OF STAFFS AND STUDENTS
C TAPE =6 USE STAFF SORT COL. 1-4
C TAPE =7 USE COURSE SORT COL. 1-6
PAUSE
REWIND 6
REWIND 7
J=0
ITS=0
10 READ(6,601)INO
CALL EOF(II)
IF(II.EQ.1) GO TO 15
IF(INO.GT.2) GO TO 15
J=J+1
GO TO 10
15 READ(7,701) IC,IS
CALL EOF(II)
IF(II.EQ.1) GO TO 20
IF(IC.GT.102) GO TO 20
ITS=ITS+IS
GO TO 15
20 AV=FLOAT(ITS)/FLOAT(J)
WRITE(3,300)
WRITE(3,301) J,ITS,AV
REWIND 6
REWIND 7
300 FORMAT(5X,28HRATIO OF STAFFS AND STUDENTS///
*5X,17HNO. OF NO. OF/
*5X,28HSTAFFS STUDENTS RATIO/)
301 FORMAT(6X,I4,7X,I4,5X,3H1 : ,F5.1)
601 FORMAT(I1)
701 FORMAT(I3,38X,I3)
STOP
END
```

•F11 010

*

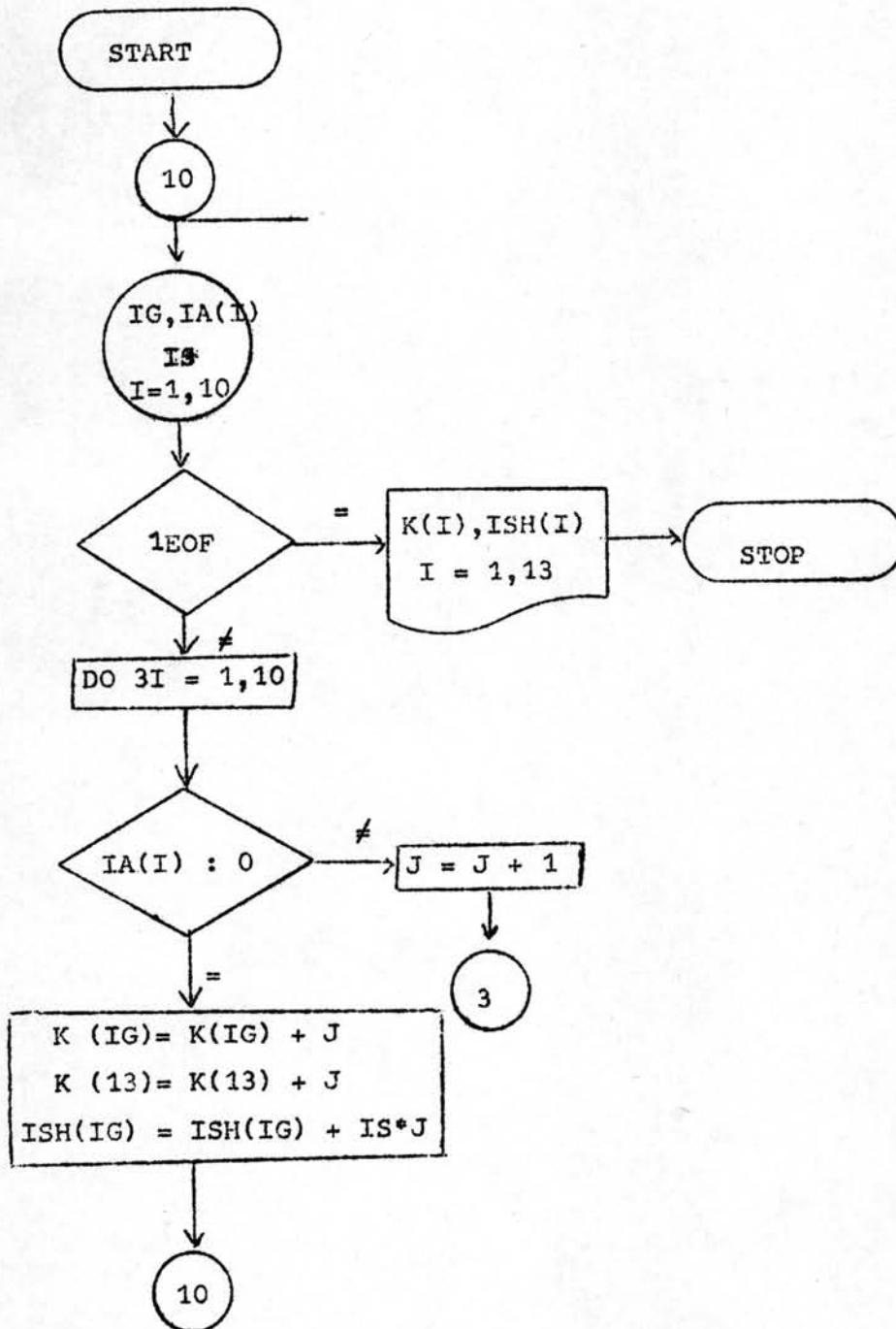
RATIO OF STAFFS AND STUDENTS

NO. OF STAFFS	NO. OF STUDENTS	RATIO
173	2352	1 : 13.6

ผนวก 13

แสดงผังงาน F12 โปรแกรม F12 และผลจากโปรแกรม F12

F12




```

*JOBID,NOLIST
*JOBID,*F12
*JOBID,I7
C   PROGRAM 12
C   FIND STUDENT HOURS PER CLASS LEVEL
C   STUDENT HOURS = NO. OF STUDENTS * NO. OF HOURS PER WEEK
C   USE TAPE NAME COURSE NON SORT
    DIMENSION IA(10),K(13),ISH(13),NN(12)
    DATA (NN(I),I=1,12)/2HP1,2HP2,2HP3,2HP4,2HP5,2HP6,
*2HM1,2HM2,2HM3,2HM4,2HM5,2HM6/
    PAUSE
    DO1I=1,13
    K(I)=0
    ISH(I)=0
1   CONTINUE
    DO2I=1,10
2   IA(I)=0
    WRITE(3,300)
    REWIND 6
10  J=0
    READ(6,601) IG,(IA(I),I=1,10),IS
    CALL EOF(II)
    IF(II.EQ.1) GO TO 15
    DO 3I=1,10
    IF(IA(I).EQ.0) GO TO 20
    J=J+1
3   CONTINUE
20  K(IG)=K(IG)+J
    K(13)=K(13)+J
    ISH(IG)=ISH(IG)+IS*J
    GO TO 10
15  DO 4I=1,12
    ISH(13)=ISH(13)+ISH(I)
    WRITE(3,301) NN(I),K(I),ISH(I)
4   CONTINUE
    WRITE(3,302) K(13),ISH(13)
    REWIND 6
300 FORMAT(4X,29HSTUDENT HOURS PER CLASS LEVEL///
*5X,29HCLASS      NO. OF      STUDENT/
*5X,28HLEVEL      HOURS        HOURS/)
301 FORMAT(6X,A2,7X,I4,8X,I6)
302 FORMAT(/5X,5HTOTAL,4X,I5,6X,I8)
601 FORMAT(4X,I2,4X,10I2,11X,I3)
    STOP
    END

```

•F12 010

*

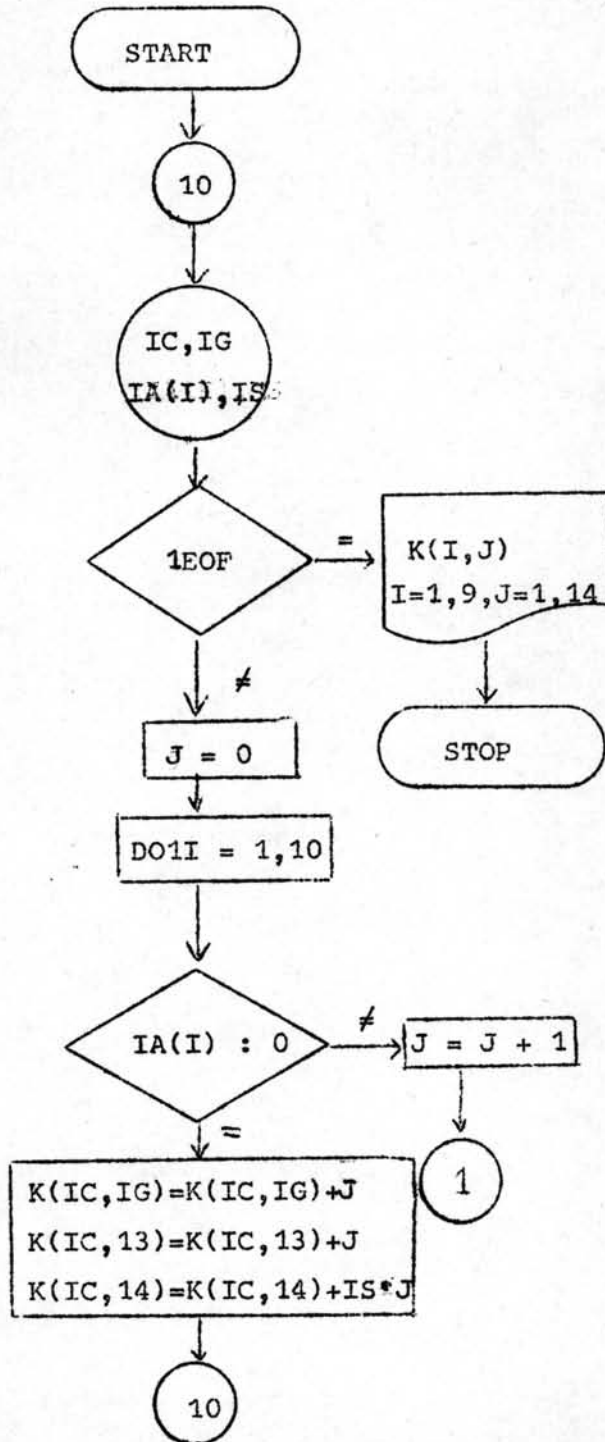
STUDENT HOURS PER CLASS LEVEL

CLASS LEVEL	NO.OF HOURS	STUDENT HOURS
P1	150	5500
P2	150	5450
P3	175	6375
P4	150	5175
P5	195	6090
P6	228	6660
M1	195	6820
M2	185	5676
M3	163	4680
M4	196	5845
M5	178	5320
M6	137	4262
TOTAL	2102	67853

หน้า 14

แสดงผังงาน F13 โปรแกรม F13 และผลจากโปรแกรม F13

F13



```

*JOBID,NOLIST
*JOBID,*F13
*JOBID,I7
C   PROGRAM 13
C   FIND NUMBER OF HOJRS BY DEPARTMENT PER CLASS LEVEL
C   STUDENT HOURS = NO. OF STUDENTS * NO. OF HOURS PER WEEK
C   USE TAPE NAME COURSE NON SORT
C   DIMENSION IA(10),K(9,14)
C   PAUSE
C   REWIND 6
C   DO 1I=1,9
C   DO 1J=1,14
1   K(I,J)=0
10  READ(6,601) IC,IG,(IA(I),I=1,10),IS
    CALL EOF(II)
    IF(II.EQ.1) GO TO 99
    J=0
    DO 2I=1,10
    IF(IA(I).EQ.0) GO TO 15
    J=J+1
2   CONTINUE
15  K(IC,IG)=K(IC,IG)+J
    K(IC,13)=K(IC,13)+J
    K(IC,14)=K(IC,14)+IS*J
    GO TO 10
99  DO 3I=1,14
    DO 3J=1,8
3   K(9,I)=K(9,I)+K(J,I)
    WRITE(3,300)
    WRITE(3,301) ((K(I,J),J=1,14),I=1,9)
    REWIND 6
300 FORMAT(34X,45HNUMBER OF HOURS BY DEPARTMENT PER CLASS LEVEL///
*2X,10HDEPARTMENT,79X,5HTOTAL,7X,7HSTUDENT/
*5X,43HCODE          P1      P2      P3      P4      P5      P6
*4X,32HM1      M2      M3      M4      M5      M6,7X,5HHOURS,7X,5HHOURS/)
301 FORMAT(5X,2H 1,5X,12(3X,I3),7X,I5,6X,I8/
*5X,2H 2,5X,12(3X,I3),7X,I5,6X,I8/
*5X,2H 3,5X,12(3X,I3),7X,I5,6X,I8/
*5X,2H 4,5X,12(3X,I3),7X,I5,6X,I8/
*5X,2H 5,5X,12(3X,I3),7X,I5,6X,I8/
*5X,2H 6,5X,12(3X,I3),7X,I5,6X,I8/
*5X,2H 7,5X,12(3X,I3),7X,I5,6X,I8/
*5X,2H 8,5X,12(3X,I3),7X,I5,6X,I8//
*4X,5HTOTAL,3X,12(3X,I3),7X,I5,6X,I8)
601 FORMAT(I1,3X,I2,4X,10I2,11X,I3)
C   STOP
C   END

```

*F13 010

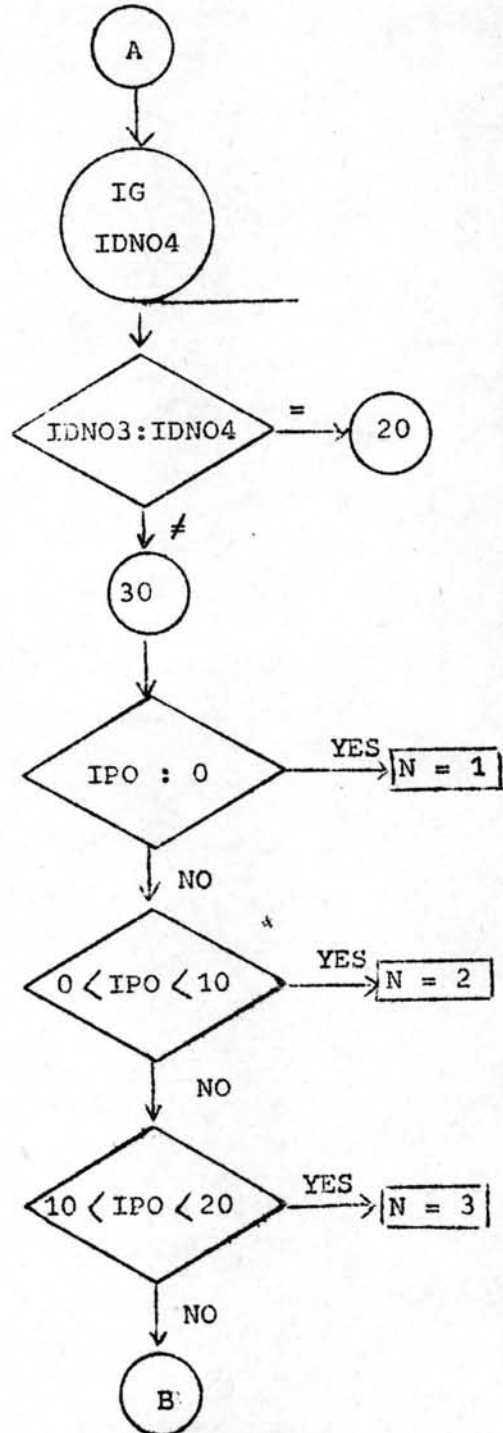
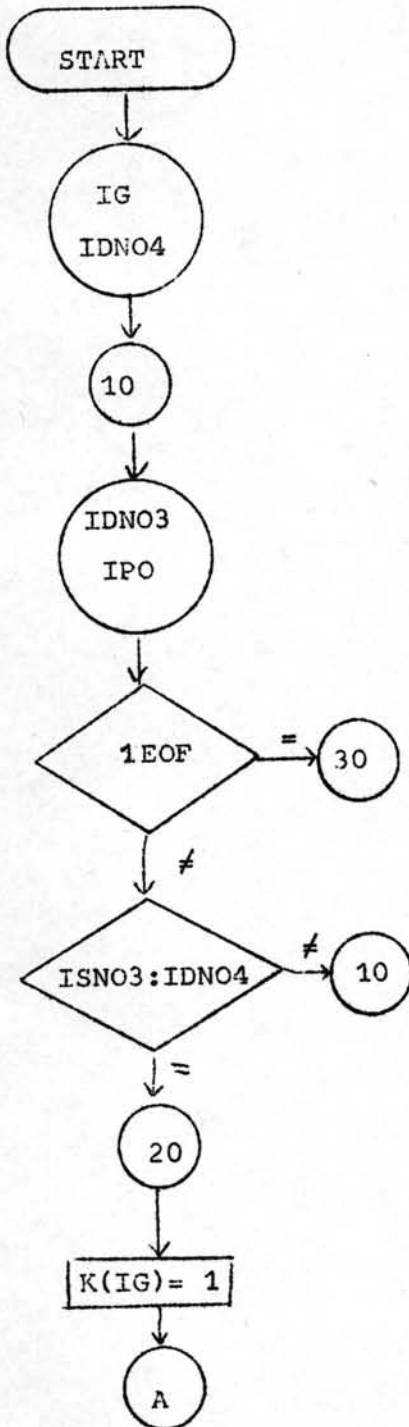
NUMBER OF HOURS BY DEPARTMENT PER CLASS LEVEL

DEPARTMENT CODE	P1	P2	P3	P4	P5	P6	M1	M2	M3	M4	M5	M6	TOTAL HOURS	STUDENT HOURS
1	24	36	35	30	30	35	35	36	36	38	22	25	382	12442
2	0	0	28	24	30	35	30	36	30	42	53	40	348	10848
3	54	24	35	36	24	28	24	24	20	20	23	16	328	11273
4	12	24	14	12	24	28	24	24	20	25	29	30	266	9083
5	18	24	14	12	24	28	24	24	20	25	33	20	266	8931
6	18	16	21	18	18	21	24	15	13	15	10	0	191	6044
7	18	18	21	18	45	53	34	26	24	26	4	0	287	8190
8	6	6	7	0	0	0	0	0	0	5	4	6	34	1042
TOTAL	150	150	175	150	195	228	195	185	163	196	178	137	2102	67853

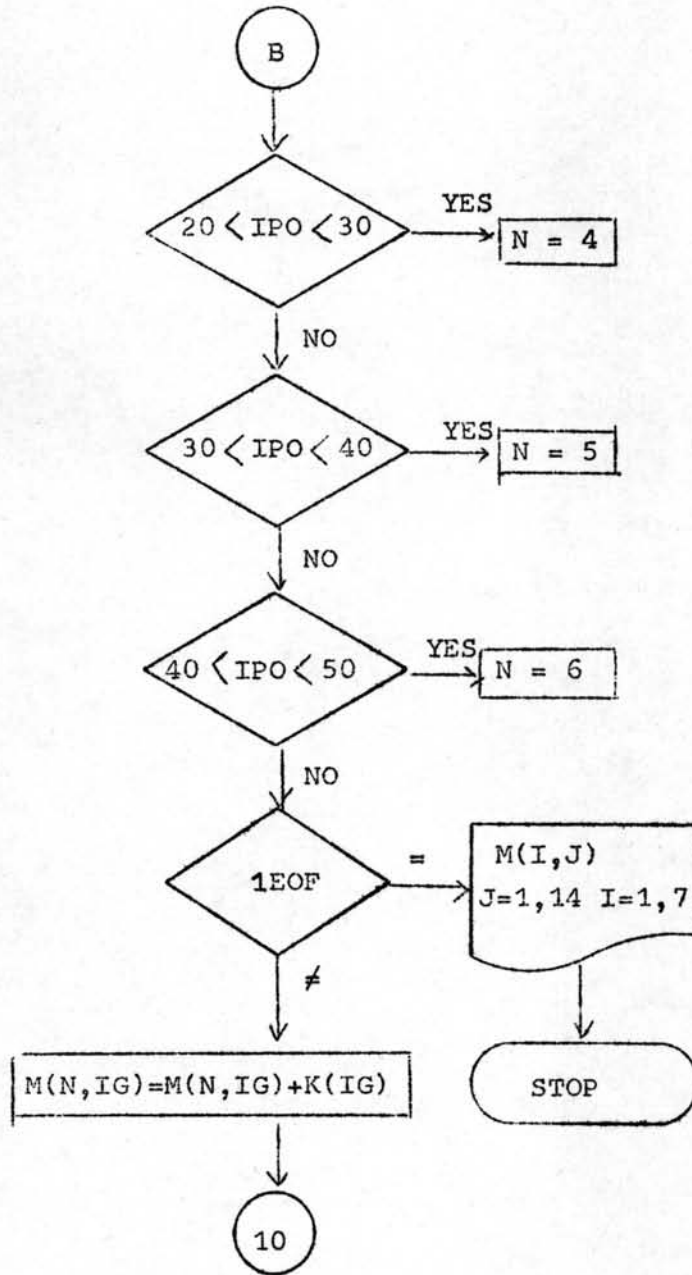
ผนวก 15

แสดงผังงาน F14 โปรแกรม F14 และผลจากโปรแกรม F14

F14



F14 CONT.



```

*JOBID,NOLIST
*JOBID,*F14
*JOBID,I4
C CLASS LEVEL
C FIND NUMBER OF TEACHING STAFFS BY RANK CLASSIFICATION PER
C PROGRAM 14
C TAPE =6 USE COURSE SORT COL. 32-35
C TAPE =7 USE STAFF SORT COL.1-4
C DIMENSION K(12),M(7,14)
DATA (M(I,14),I=1,7)/31,0,24,81,18,0,154/
PAUSE
REWIND 6
REWIND 7
DO 5I=1,7
DO5J=1,13
5 M(I,J)=0
70 READ(6,601) IG,IDN04
IF(IDN04.EQ.0) GO TO 70
30 DO 1I=1,12
1 K(I)=0
10 READ(7,701) IDN03,IPO
CALL EOF(II)
IF(II.EQ.1) GO TO 20
IF(IDN03.NE.IDN04) GO TO 10
15 K(IG)=1
READ(6,601) IG,IDN04
CALL EOF(II)
IF(II.EQ.1) GO TO 20
IF(IDN03.EQ.IDN04) GO TO 15
20 IF(IPO.EQ.0) N=1
IF(IPO.GT.0.AND.IPO.LT.10) N=2
IF(IPO.GT.10.AND.IPO.LT.20) N=3
IF(IPO.GT.20.AND.IPO.LT.30) N=4
IF(IPO.GT.30.AND.IPO.LT.40) N=5
IF(IPO.GT.40.AND.IPO.LT.50) N=6
IF(II.EQ.1) GO TO 25
DO 4I=1,12
4 M(N,I)=M(N,I)+K(I)
GO TO 30
25 DO 2J=1,12
DO 2I=1,6
2 M(7,J)=M(7,J)+M(I,J)
DO 3I=1,7
DO 3J=1,12
3 M(I,13)=M(I,13)+M(I,J)
WRITE(3,300)
WRITE(3,301) ((M(I,J),J=1,14),I=1,7)
REWIND 6

```

```
REWIND 7
300 FORMAT(30X,33HNUMBER OF TEACHING STAFFS BY RANK
*31H CLASSIFICATION PER CLASS LEVEL///
*10X,4HRANK,11X,32HP1      P2      P3      P4      P5      P6
*4X,32HM1      M2      M3      M4      M5      M6
*5X,11HEQUV. STAFF,3X,8HACT. NO./)
301 FORMAT(5X,15HBEFORE OFFICIAL,1X,12(2X,I4),8X,I4,8X,I3/
*5X,15HFOURTH GRADE ,1X,12(2X,I4),8X,I4,8X,I3/
*5X,15HTHIRD GRADE ,1X,12(2X,I4),8X,I4,8X,I3/
*5X,15HSECOND GRADE ,1X,12(2X,I4),8X,I4,8X,I3/
*5X,15HFIRST GRADE ,1X,12(2X,I4),8X,I4,8X,I3/
*5X,15HSPECIAL GRADE ,1X,12(2X,I4),8X,I4,8X,I3//
*5X,15H TOTAL ,1X,12(1X,I5),7X,I5,7X,I4)
601 FORMAT(4X,I2,25X,I4)
701 FORMAT(I4,1X,I2)
STOP
END
```

*F14 010

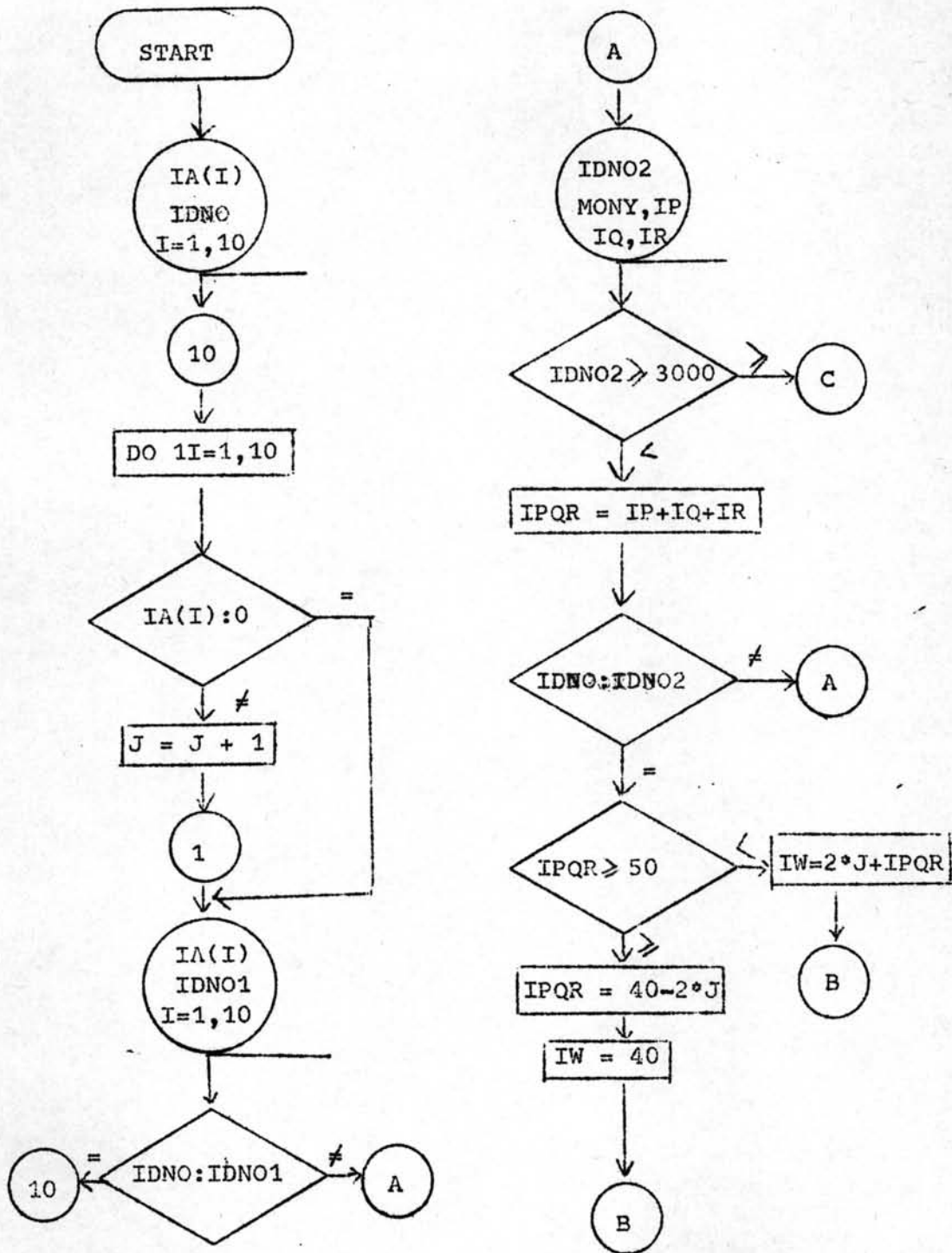
NUMBER OF TEACHING STAFFS BY RANK CLASSIFICATION PER CLASS LEVEL

RANK	P1	P2	P3	P4	P5	P6	M1	M2	M3	M4	M5	M6	EQUV. STAFF	ACT. NO.
BEFORE OFFICIAL	6	9	6	4	4	5	7	4	6	4	1	1	57	31
FOURTH GRADE	0	0	0	0	0	0	0	0	0	0	0	0	0	0
THIRD GRADE	1	1	1	2	4	4	9	9	9	7	1	0	48	24
SECOND GRADE	3	1	10	11	16	17	17	17	15	24	20	12	163	81
FIRST GRADE	1	0	0	1	2	2	1	3	5	2	6	6	29	18
SPECIAL GRADE	0	0	0	0	0	0	0	0	0	0	0	0	0	0
TOTAL	11	11	17	18	26	28	34	33	35	37	28	19	297	154

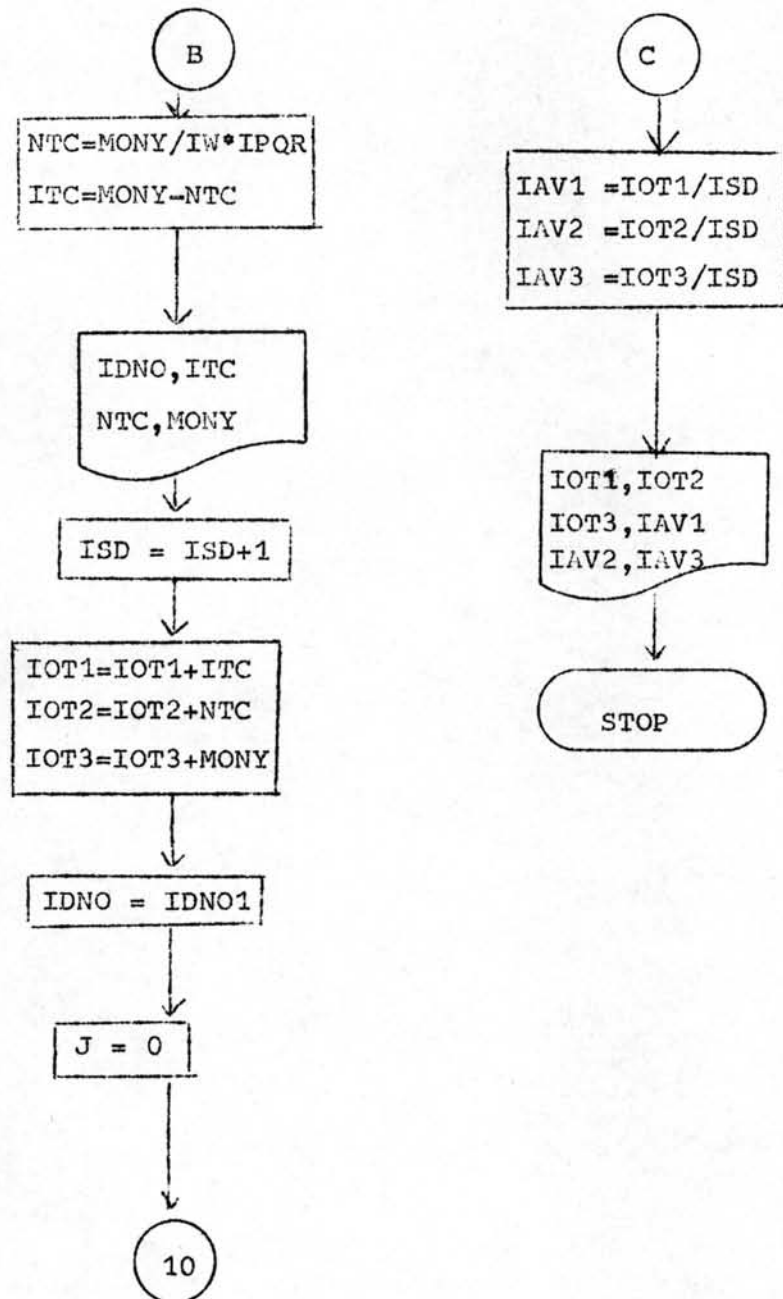
แผนภาพ 16

แสดงผังงาน F15 โปรแกรม F15 และผลจากโปรแกรม F15

F15



F15 CONT.



```

*JOBID,NOLIST
*JOBID,*F15
*JOBID,I6
C   PROGRAM 15
C   FIND TEACHING COST ADMINISTRATION COST PER PERSON AND AVERAGE
C   TAPE =6 USE COURSE SORT COL. 32-35
C   TAPE =7 USE STAFF SORT COL. 1-4
C   DIMENSION IA(10)
C   DATA IZO,J,ISD,IOT1,IOT2,IOT3/6*0/
C   PAUSE
C   WRITE(3,300)
C   REWIND 6
C   REWIND 7
C   ISUD =0
10  READ(6,601) (IA(I),I=1,10),IDNO
    IF(IDNO.EQ.0) GO TO 10
20  DO 11=1,10
    IF(IA(I).EQ.0) GO TO 15
    1  J=J+1
15  READ(6,601) (IA(I),I=1,10),IDNO1
    CALL EOF(II)
    IF(II.EQ.1) GO TO 21
    IF(IDNO.EQ.IDNO1) GO TO 20
25  READ(7,701) IDNO2,MONY,IP,IQ,IR
    CALL EOF(II)
    IF(II.EQ.1) GO TO 99
    IF(IDNO2.GE.3000) GO TO 99
    IPQR=IP+IQ+IR
    IF(IDNO.EQ.IDNO2) GO TO 30
    IF(IPQR.LT.50) GO TO 25
    NTC=MONY
    WRITE(3,301) IDNO2,IZO,NTC,MONY
    ISD=ISD+1
    IOT2=IOT2+NTC
    IOT3=IOT3+MONY
    GO TO 25
30  IF(IPQR.LT.50) GO TO 35
    IF(IDNO.LT.2000) GO TO 40
    IPQR=40-(2*J+J/2)
45  IW=40
55  NTC=MONY/IW*IPQR
    ITC=MONY-NTC
    WRITE(3,301) IDNO,ITC,NTC,MONY
    ISD=ISD+1
    IOT1=IOT1+ITC
    IOT2=IOT2+NTC
    IOT3=IOT3+MONY
    IDNO=IDNO1

```

```
IF(ISUD.EQ.1) GO TO 25
J=0
GO TO 20
40 IPQR=40-2*J
GO TO 45
35 IF(IDNO.LT.2000) GO TO 50
IW=2*J+J/2+IPQR
GO TO 55
50 IW=2*J+IPQR
GO TO 55
21 ISUD=1
GO TO 25
99 IAV1=IOT1/ISD
IAV2=IOT2/ISD
IAV3=IOT3/ISD
WRITE(3,302) IOT1,IOT2,IOT3
WRITE(3,303) IAV1,IAV2,IAV3
REWIND 6
REWIND 7
300 FORMAT(4X,48HTEACHING COST ADMINISTRATION COST PER PERSON AND
*8H AVERAGE///
*22X,26HTEACHING ADMINISTRATION/
*5X,11HSTAFFS CODE,7X,4HCOST,11X,4HCOST,10X,5HTOTAL/)
301 FORMAT(8X,I4,3(11X,I4))
302 FORMAT(/8X,5HTOTAL,8X,I6,2(9X,I6))
303 FORMAT(/7X,7HAVERAGE,9X,I4,2(11X,I4))
601 FORMAT(10X,10I2,1X,I4)
701 FORMAT(I4,4X,I5,1X,I1,1X,I1,1X,I2)
STOP
END
```

*F15 010 *

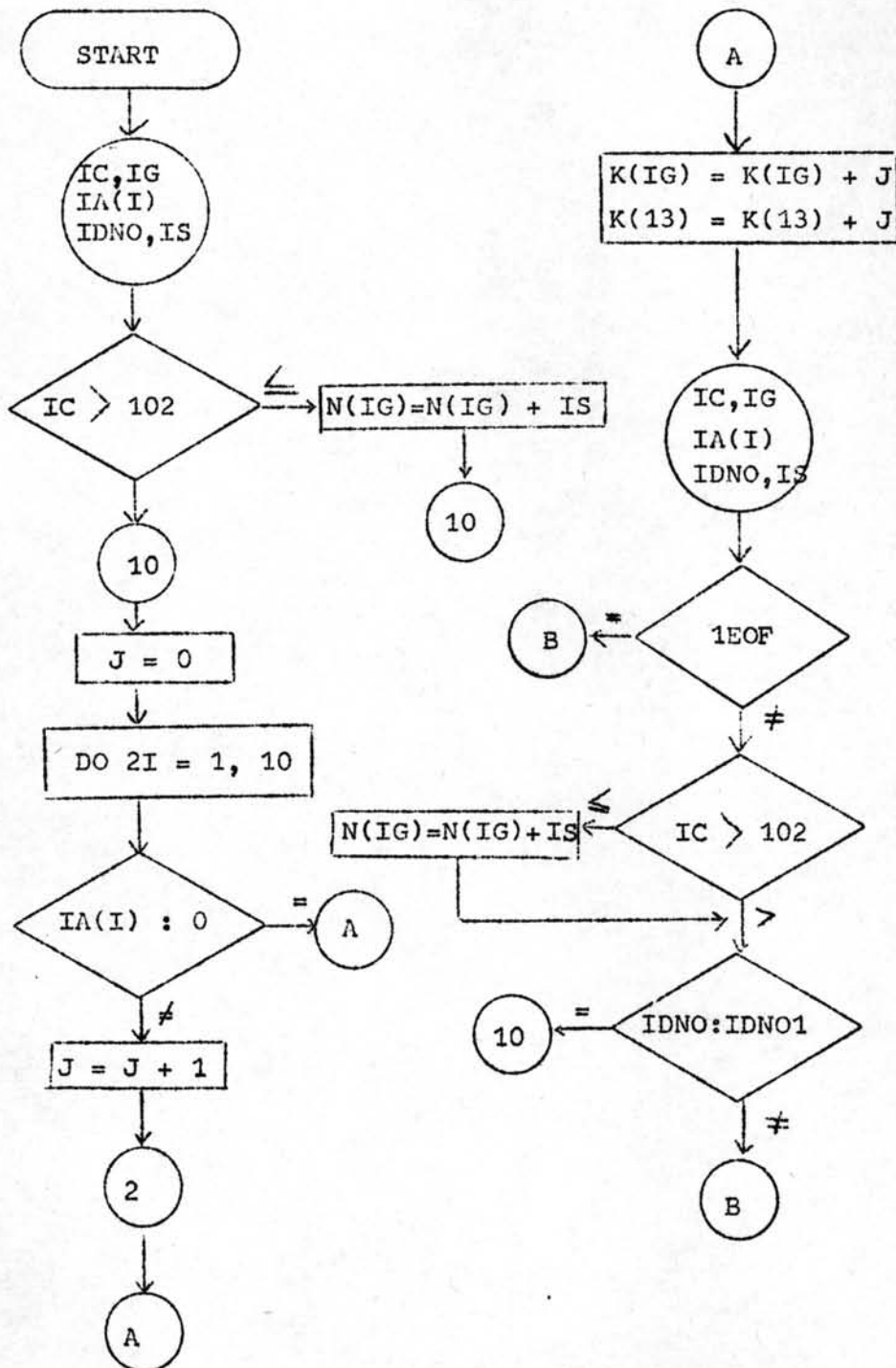
TEACHING COST ADMINISTRATION COST PER PERSON AND AVERAGE

STAFFS CODE	TEACHING COST	ADMINISTRATION COST	TOTAL
1001	2076	444	2520
1002	1786	74	1860
1003	1624	126	1750
	767		
2080	1688	62	1750
2085	0	2520	2520
TOTAL	354191	67349	421540
AVERAGE	2186	415	2602

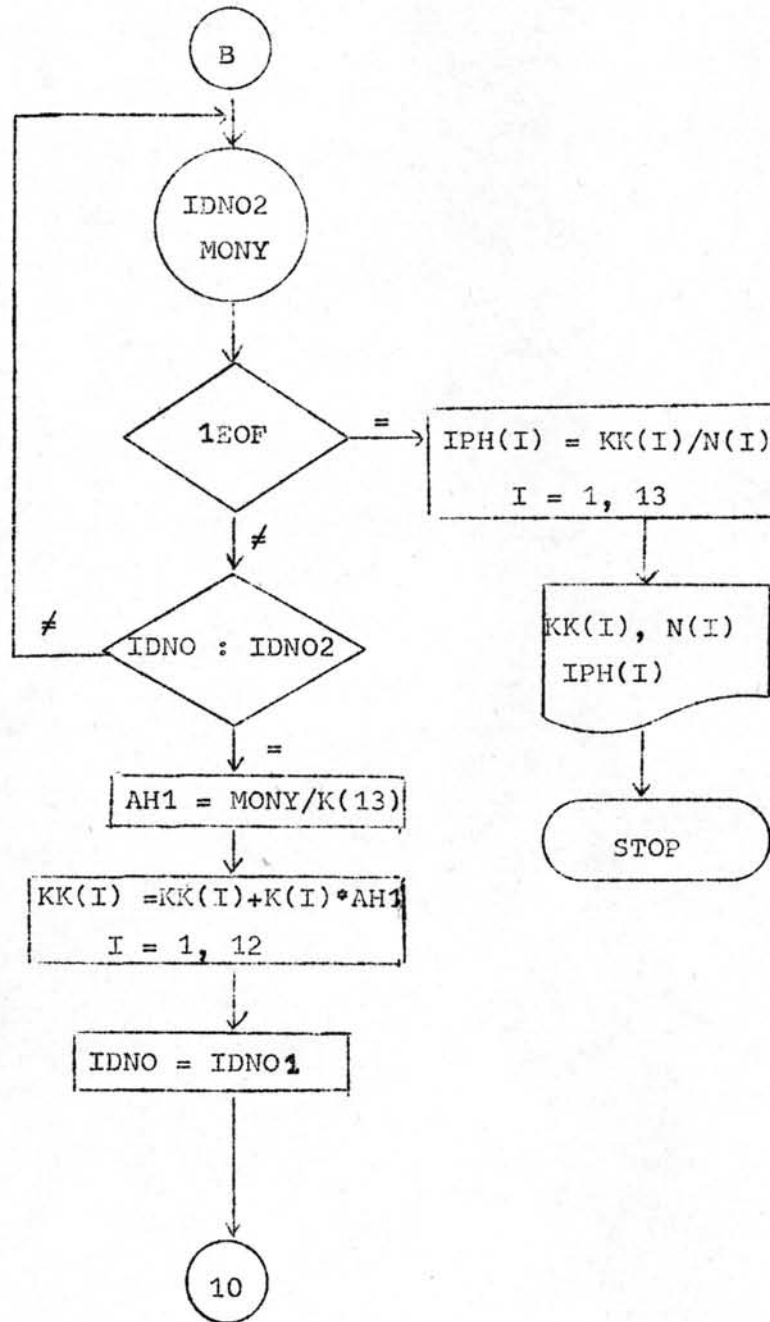
ผนวก 17

แสดงผังงาน F16 โปรแกรม F16 และผลจากโปรแกรม F16

F16



F16 CONT.



```

*JOBID,NOLIST
*JOBID,*F16
*JOBID,I6
*JOBID,F12
C   PROGRAM 16
C   FIND TEACHING COST PER CLASS LEVEL PER HEAD
C   (ONLY TEACHING STAFFS)
C   TAPE=6 USE COURSE SORT COL. 32-35
C   TAPE=7 USE STAFF SORT COL.1-4
REAL KK(13),IPH(13)
DIMENSION IA(10),K(13),N(13),NN(12)
DATA (NN(I),I=1,12)/2HP1,2HP2,2HP3,2HP4,2HP5,2HP6,
*2HM1,2HM2,2HM3,2HM4,2HM5,2HM6/
PAUSE
ISUD=0
DO 1I=1,13
K(I)=0
KK(I)=0
N(I)=0
IPH(I)=0
1 CONTINUE
REWIND 6
REWIND 7
READ(6,601) IC,IG,(IA(I),I=1,10),IDNO,IS
IF(IC.LE.102) N(IG)=N(IG)+IS
15 J=0
DO 2I=1,10
IF(IA(I).EQ.0) GO TO 10
J=J+1
2 CONTINUE
10 K(IG)=K(IG)+J
K(13)=K(13)+J
READ(6,601) IC,IG,(IA(I),I=1,10),IDNO1,IS
CALL EOF(II)
IF(II.EQ.1) GO TO 25
IF(IC.LE.102) N(IG)=N(IG)+IS
IF(IDNO.EQ.IDNO1) GO TO 15
IF(IDNO.EQ.0) GO TO 30
20 READ(7,701) IDNO2,MONY
CALL EOF(II)
IF(II.EQ.1) GO TO 99
IF(IDNO.NE.IDNO2) GO TO 20
AH1=FLOAT(MONY)/FLOAT(K(13))
DO 5I=1,12
KK(I)=KK(I)+FLOAT(K(I))*AH1
5 CONTINUE
IF(ISUD.EQ.1) GO TO 99
35 DO 4I=1,13

```

```
4 K(I)=0
  IDNO=IDNO1
  GO TO 15
25 ISUD=1
  GO TO 20
30 DO 3I=1,12
  KK(I)=KK(I)+FLOAT(K(I))*50.0
  3 CONTINUE
  GO TO 35
99 DO 6I=1,12
  N(13)=N(13)+N(I)
  KK(13)=KK(13)+KK(I)
  6 IPH(I)=KK(I)/FLOAT(N(I))
  WRITE(3,300)
  DO 7I=1,12
  7 WRITE(3,301) NN(I),KK(I),N(I),IPH(I)
  IPH(13)=KK(13)/FLOAT(N(13))
  WRITE(3,302) KK(13),N(13),IPH(13)
  REWIND 6
  REWIND 7
300 FORMAT(9X,38HTEACHING COST PER CLASS LEVEL PER HEAD/
  *17X,22H(ONLY TEACHING STAFFS)///
  *5X,5HCLASS,6X,8HTEACHING,6X,6HNO. OF,11X,3HPER/
  *5X,5HLEVEL,8X,4HCOST,7X,8HSTUDENTS,9X,4HHEAD/)
301 FORMAT(6X,A2,6X,F10.2,6X,I4,9X,F8.2)
302 FORMAT(/5X,5HTOTAL,3X,F11.2,5X,I5,9H AVERAGE,F8.2)
601 FORMAT(I3,1X,I2,4X,10I2,1X,I4,6X,I3)
701 FORMAT(I4,4X,I5)
  STOP
  END
```

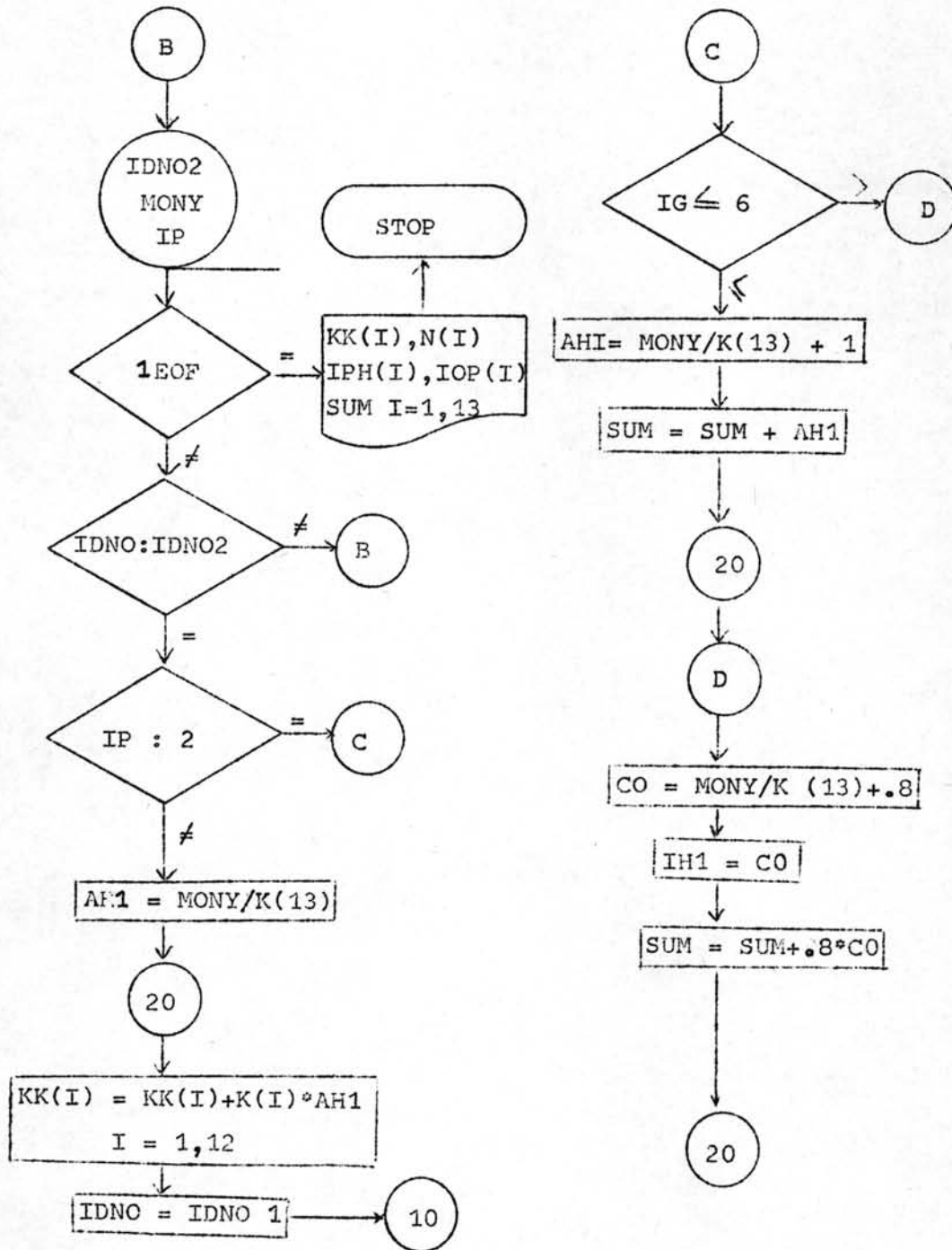
*F16 010

TEACHING COST PER CLASS LEVEL PER HEAD
(ONLY TEACHING STAFFS)



CLASS LEVEL	TEACHING COST	NO. OF STUDENTS	PER HEAD
P1	22571.50	220	102.60
P2	21767.87	218	99.85
P3	28650.40	255	112.35
P4	27839.65	207	134.49
P5	38535.69	203	189.83
P6	41279.88	222	185.95
M1	34884.22	229	152.33
M2	32995.79	188	175.51
M3	33536.62	155	216.37
M4	34560.86	167	206.95
M5	42257.89	154	274.40
M6	40794.63	134	304.44
TOTAL	399675.00	2352 AVERAGE	169.93

F17 CONT.



```

*JOBID,NOLIST
*JOBID,*F17
*JOBID,I6
*JOBID,F12
C   PROGRAM 17
C   FIND TEACHING COST PER CLASS LEVEL PER HEAD
C   AND CLASS ROOM ADMINISTRATION COST
C   TAPE=6 USE COURSE SORT COL.32-35
C   TAPE=7USE STAFF SORT COL.1-4
REAL KK(13),IOP(13),IPH(13)
DIMENSION IA(10),NN(12),K(13),N(13)
DATA (NN(I),I=1,12)/2HP1,2HP2,2HP3,2HP4,2HP5,2HP6,
*2HM1,2HM2,2HM3,2HM4,2HM5,2HM6/
PAUSE
ISUD=0
SUM=0
DO I=1,13
  K(I)=0
  KK(I)=0
  N(I)=0
  IPH(I)=0
  IOP(I)=0
1 CONTINUE
REWIND 6
REWIND 7
READ(6,601) IC,IG,(IA(I),I=1,10),IDNO,IS
IF(IC.LE.102) N(IG)=N(IG)+IS
15 J=0
DO 2I=1,10
  IF(IA(I).EQ.0) GO TO 10
  J=J+1
2 CONTINUE
10 K(IG)=K(IG)+J
   K(13)=K(13)+J
   READ(6,601) IC,IG,(IA(I),I=1,10),IDNO1,IS
   CALL EOF(II)
   IF(II.EQ.1) GO TO 25
   IF(IC.LE.102) N(IG)=N(IG)+IS
   IF(IDNO.EQ.IDNO1) GO TO 15
   IF(IDNO.EQ.0) GO TO 30
20 READ(7,701)IDNO2,MONY,IP
   CALL EOF(II)
   IF(II.EQ.1) GO TO 99
   IF(IDNO.NE.IDNO2) GO TO 20
   IF(IP.EQ.2) GO TO 40
   AH1=FLOAT(MONY)/FLDAT(K(13))
35 DO 3I=1,12
   KK(I)=KK(I)+FLOAT(K(I))*AH1

```

```

3 CONTINUE
  IF (ISUD.EQ.1) GO TO 99
  DO 4I=1,13
4  K(I)=0
  IDNO=IDNO1
  GO TO 15
25 ISUD=1
  GO TO 20
30 AH1=50.0
  GO TO 35
40 IF (IG.LE.6) GO TO 45
  AH1=FLOAT(MONY)/(FLOAT(K(13))+.8)
  SUM=SUM+.8*AH1
  GO TO 35
45 AH1=FLOAT(MONY)/(FLOAT(K(13))+1.0)
  SUM=SUM+AH1
  GO TO 35
99 DO 5I=1,12
  KK(13)=KK(13)+KK(I)
  N(13)=N(13)+N(I)
  IPH(I)=KK(I)/FLOAT(N(I))
5 CONTINUE
  DO 7I=1,12
  IOP(I)=IPH(I)+(SUM/FLOAT(N(13)))
7 CONTINUE
  IPH(13)=KK(13)/FLOAT(N(13))
  IOP(13)=(KK(13)+SUM)/FLOAT(N(13))
  WRITE(3,300)
  DO 6I=1,12
6  WRITE(3,301) NN(I),KK(I),N(I),IPH(I),IOP(I)
  WRITE(3,302) KK(13),N(13),SUM,IPH(13),IOP(13)
  REWIND 6
  REWIND 7
300 FORMAT(22X,38HTEACHING COST PER CLASS LEVEL PER HEAD/
  *24X,34HAND CLASS ROOM ADMINISTRATION COST/
  *30X,22H(ONLY TEACHING STAFFS)///
  *5X,5HCLASS,31X,10HCLASS ROOM,9X,20HTEACHING OPERATION/
  *5X,5HLEVEL,5X,8HTEACHING,5X,6HNO. OF,5X,14HADMINISTRATION,9X,
  *4HCOST,7X,4HCOST/
  *6X,4HCODE,7X,4HCOST,6X,8HSTUDENTS,9X,4HCOST,12X,
  *19HPER HEAD PER HEAD/)
301 FORMAT(7X,A2,4X,F10.2,6X,I4,12X,3H- ,12X,F7.2,4X,F7.2)
302 FORMAT(/5X,5HTOTAL,3X,F10.2,5X,I5,6X,F10.2,3X,8HAVERAGE ,F7.2,
  *4X,F7.2)
601 FORMAT(I3,1X,I2,4X,10I2,1X,I4,6X,I3)
701 FORMAT(I4,4X,I5,1X,I1)
  STOP
  END

```

•F17 010 •

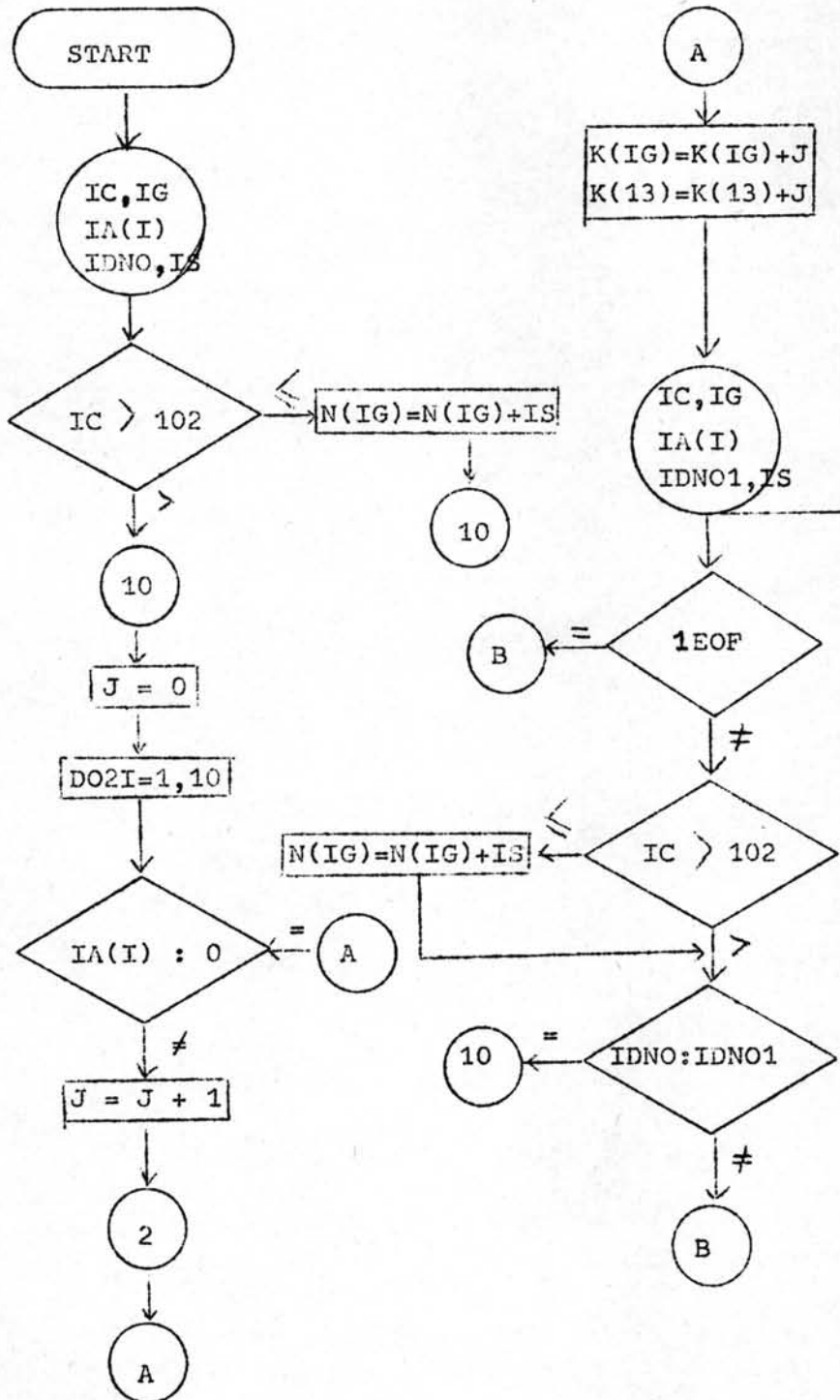
TEACHING COST PER CLASS LEVEL PER HEAD
 AND CLASS ROOM ADMINISTRATION COST
 (ONLY TEACHING STAFFS)

CLASS LEVEL CODE	TEACHING COST	NO. OF STUDENTS	CLASS ROOM ADMINISTRATION COST	TEACHING COST PER HEAD	OPERATION COST PER HEAD
P1	21778.25	220	-	98.99	104.85
P2	20971.22	218	-	96.20	102.06
P3	26977.73	255	-	105.80	111.65
P4	26626.23	207	-	128.63	134.49
P5	36710.17	203	-	180.84	186.70
P6	39259.61	222	-	176.85	182.70
M1	34223.29	229	-	149.45	155.30
M2	32251.40	188	-	171.55	177.41
M3	32668.32	155	-	210.76	216.62
M4	33704.62	167	-	201.82	207.68
M5	40901.47	154	-	265.59	271.45
M6	39824.24	134	-	297.20	303.05
TOTAL	385896.57	2352	13778.43	AVERAGE 164.07	169.93

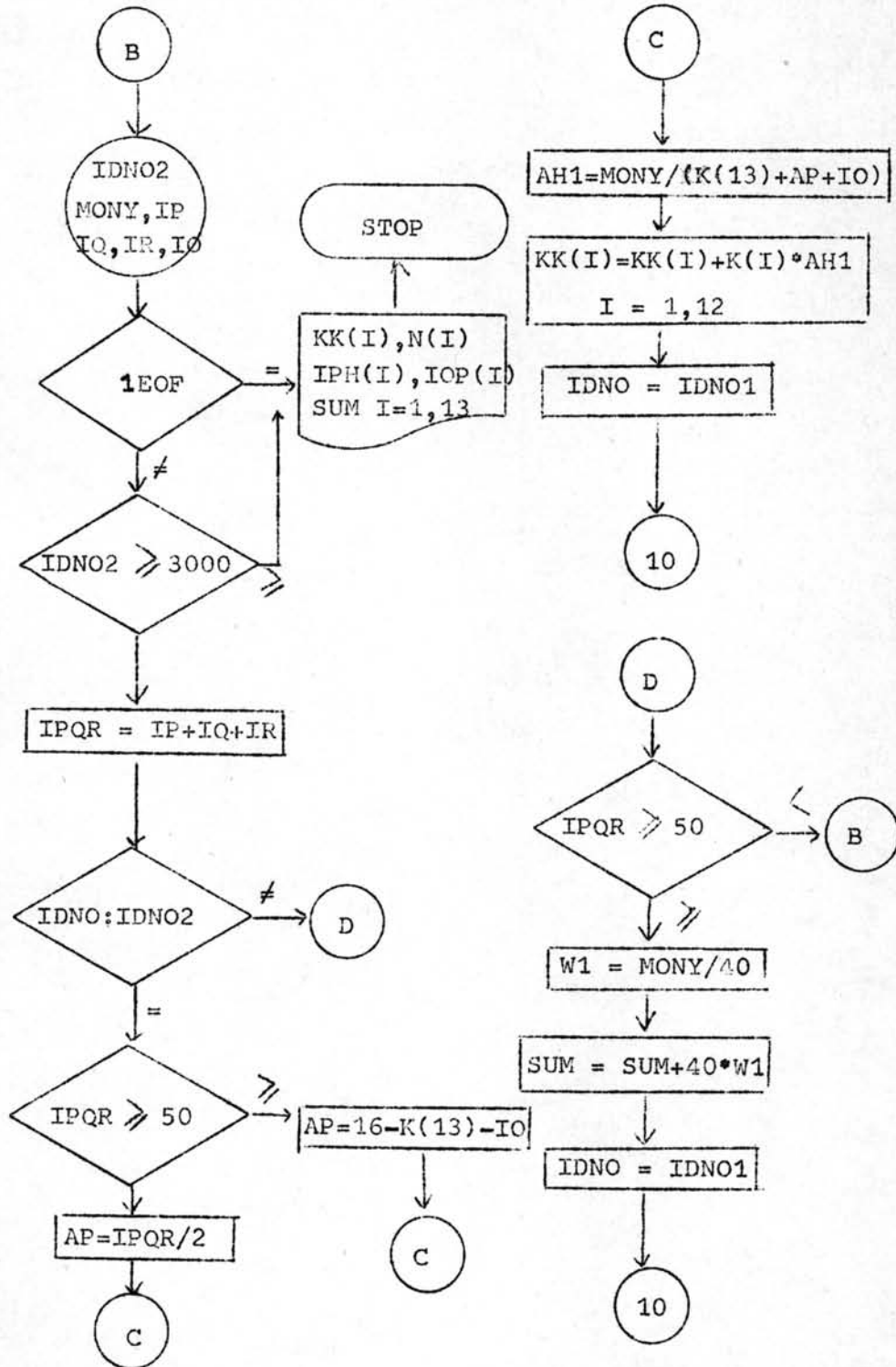
แผนก 19

แสดงผังงาน F18 โปรแกรม F18 และผลจากโปรแกรม F18

F18



F18 CONT.



```

*JOBID,NOLIST
*JOBID,*F18
*JOBID,I6
*JOBID,F12
C   PROGRAM 18
C   FIND TEACHING COST PER CLASS LEVEL PER HEAD
C   AND ADMINISTRATION COST (ONLY WORKING STAFFS)
C   TAPE =6 USE COURSE SORT COL. 32-35
C   TAPE =7 USE STAFF SORT COL. 1-4
REAL KK(13),IOP(13),IPH(13)
DIMENSION IA(10),NN(12),K(13),N(13)
DATA (NN(I),I=1,12)/2HP1,2HP2,2HP3,2HP4,2HP5,2HP6,
*2HM1,2HM2,2HM3,2HM4,2HM5,2HM6/
PAUSE
ISUD=0
SUM =0
DO 11=1,13
K(I)=0
KK(I)=0
N(I)=0
IPH(I)=0
IOP(I)=0
1 CONTINUE
REWIND 6
REWIND 7
READ(6,601) IC,IG,(IA(I),I=1,10),IDNO,IS
IF(IC.LE.102) N(IG)=N(IG)+IS
15 J=0
DO 2I=1,10
IF(IA(I).EQ.0) GO TO 10
J=J+1
2 CONTINUE
10 K(IG)=K(IG)+J
K(13)=K(13)+J
READ(6,601) IC,IG,(IA(I),I=1,10),IDNO1,IS
CALL EOF(II)
IF(II.EQ.1) GO TO 25
IF(IC.LE.102) N(IG)=N(IG)+IS
IF(IDNO.EQ.IDNO1) GO TO 15
IF(IDNO.EQ.0) GO TO 30
20 READ(7,701) IDNO2,MONY,IP,IQ,IR,IO
CALL EOF(II)
IF(II.EQ.1) GO TO 99
IF(IDNO2.GE.3000) GO TO 99
IPQR=IP+IQ+IR
IF(IDNO.NE.IDNO2) GO TO 40
IF(IPQR.GE.50) GO TO 50
IF(IDNO.GE.2000) GO TO 65

```

```

AP=FLOAT(IPQR)/2.0
60 AH1=FLOAT(MONY)/(FLOAT(K(13))+AP+FLOAT(IO))
35 DO 3I=1,12
  3 KK(I)=KK(I)+FLOAT(K(I))*AH1
  SUM=SUM+AP*AH1
45 IF(ISUD.EQ.1) GO TO 99
  DO 4I=1,13
  4 K(I)=0
  IDNO=IDNO1
  GO TO 15
25 ISUD=1
  GO TO 20
30 AH1=50.0
  GO TO 35
40 IF(IPQR.LT.50) GO TO 20
  IW=40-IO*3
  W1=FLOAT(MONY)/40.0
  SUM=SUM+FLOAT(IW)*W1
  GO TO 45
50 IF(IDNO.LT.2000) GO TO 55
  AP=16.0-FLOAT(K(13))-FLOAT(IO)
  GO TO 60
55 AP=20.0-FLOAT(K(13))-FLOAT(IO)
  GO TO 60
65 AP=FLOAT(IPQR)/2.5
  GO TO 60
99 DO 5I=1,12
  KK(13)=KK(13)+KK(I)
  N(13)=N(13)+N(I)
  IPH(I)=KK(I)/FLOAT(N(I))
  5 CONTINUE
  DO 7I=1,12
  IOP(I)=IPH(I)+(SUM/FLOAT(N(13)))
  7 CONTINUE
  IPH(13)=KK(13)/FLOAT(N(13))
  IOP(13)=(KK(13)+SUM)/FLOAT(N(13))
  WRITE(3,300)
  DO 6I=1,12
  6 WRITE(3,301) NN(I),KK(I),N(I),IPH(I),IOP(I)
  WRITE(3,302) KK(13),N(13),SUM,IPH(13),IOP(13)
  REWIND 6
  REWIND 7
300 FORMAT(10X,38HTEACHING COST PER CLASS LEVEL PER HEAD,
  *1X,23HAND ADMINISTRATION COST/
  *30X,21H(ONLY WORKING STAFFS)///
  *5X,5HCLASS,50X,20HTEACHING OPERATION/
  *5X,5HLEVEL,5X,8HTEACHING,5X,6HNO. OF,5X,14HADMINISTRATION,
  *9X,4HCOST,7X,4HCOST/

```



```
*6X,4HCODE,7X,4HCOST,6X,8HSTUDENTS,9X,4HCOST,12X,  
*19HPER HEAD PER HEAD/  
301 FORMAT(7X,A2,4X,F10.2,6X,I4,12X,3H= ,12X,F7.2,4X,F7.2)  
302 FORMAT(/5X,5HTOTAL,3X,F10.2,5X,I5,6X,F10.2,3X,8HAVERAGE ,F7.2,  
*4X,F7.2)  
601 FORMAT(I3,1X,I2,4X,10I2,1X,I4,6X,I3)  
701 FORMAT(I4,4X,I5,1X,I1,1X,I1,1X,I2,1X,I2)  
STOP  
END
```


*F18 010 *

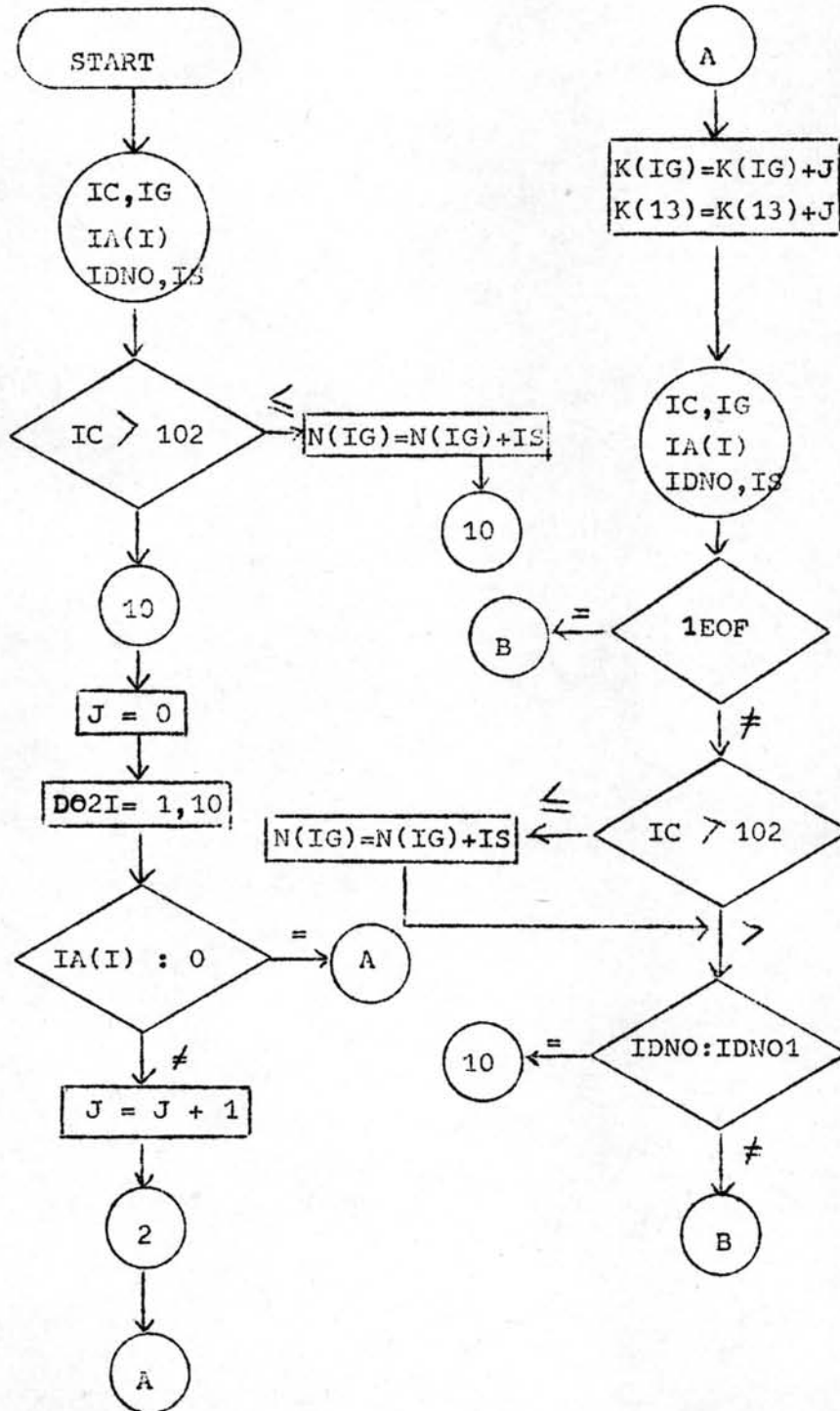
TEACHING COST PER CLASS LEVEL PER HEAD AND ADMINISTRATION COST
(ONLY WORKING STAFFS)

CLASS LEVEL CODE	TEACHING COST	NO. OF STUDENTS	ADMINISTRATION COST	TEACHING COST PER HEAD	OPERATION COST PER HEAD
P1	20067.24	220	-	91.21	115.48
P2	20027.86	218	-	91.87	116.14
P3	23193.75	255	-	90.96	115.22
P4	22572.88	207	-	109.05	133.31
P5	31349.35	203	-	154.43	178.70
P6	35318.19	222	-	159.09	183.36
M1	30324.89	229	-	132.42	156.69
M2	29220.30	188	-	155.43	179.69
M3	24062.26	155	-	155.24	179.51
M4	31178.39	167	-	186.70	210.96
M5	27746.90	154	-	180.17	204.44
M6	26999.84	134	-	201.49	225.76
TOTAL	322061.84	2352	57071.95	AVERAGE 136.93	161.20

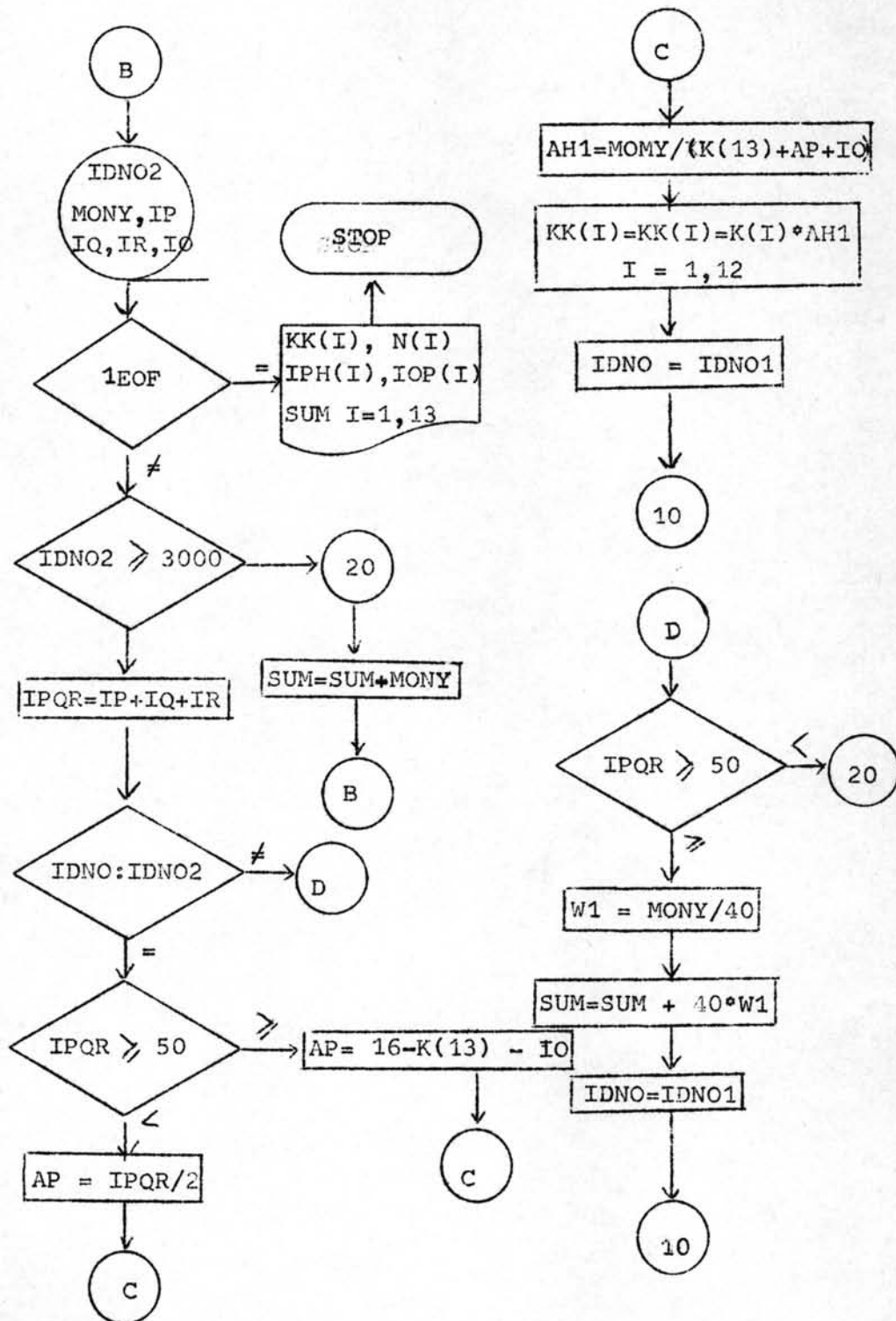
แผนก 20

แสดงผังงาน F19 โปรแกรม F19 และผลจากโปรแกรม F19

F19



F19 CONT.



```

*JOBID,NOLIST
*JOBID,*F19
*JOBID,I6
*JOBID,F12
C PROGRAM 19
C FIND TEACHING COST PER CLASS LEVEL PER HEAD
C AND ADMINISTRATION COST (ALL STAFFS AND SUPPORTING STAFFS)
C TAPE =6 USE COURSE SORT COL. 32-35
C TAPE =7 USE STAFF SORT COL. 1-4
REAL KK(13),IOP(13),IPH(13)
DIMENSION IA(10),NN(12),K(13),N(13)
DATA (NN(I),I=1,12)/2HP1,2HP2,2HP3,2HP4,2HP5,2HP6,
*2HM1,2HM2,2HM3,2HM4,2HM5,2HM6/
PAUSE
ISUD=0
SUM =0
DO 1I=1,13
K(I)=0
KK(I)=0
N(I)=0
IPH(I)=0
IOP(I)=0
1 CONTINUE
REWIND 6
REWIND 7
READ(6,601) IC,IG,(IA(I),I=1,10),IDNO,IS
IF(IC.LE.102) N(IG)=N(IG)+IS
15 J=0
DO 2I=1,10
IF(IA(I).EQ.0) GO TO 10
J=J+1
2 CONTINUE
10 K(IG)=K(IG)+J
K(13)=K(13)+J
READ(6,601) IC,IG,(IA(I),I=1,10),IDNO1,IS
CALL EOF(II)
IF(II.EQ.1) GO TO 25
IF(IC.LE.102) N(IG)=N(IG)+IS
IF(IDNO.EQ.IDNO1) GO TO 15
IF(IDNO.EQ.0) GO TO 30
20 READ(7,701) IDNO2,MONY,IP,IQ,IR,IO
CALL EOF(II)
IF(II.EQ.1) GO TO 99
IF(IDNO2.EQ.3000) GO TO 70
IPQR=IP+IQ+IR
IF(IDNO.NE.IDNO2) GO TO 40
IF(IPQR.GE.50) GO TO 50
IF(IDNO.GE.2000) GO TO 65

```



```

AP =FLOAT(IPQR)/2.0
60 AH1=FLOAT(MONY)/(FLOAT(K(13))+AP+FLOAT(IO))
35 DO 3I=1,12
  3 KK(I)=KK(I)+FLOAT(K(I))*AH1
  SUM=SUM+AP*AH1
45 IF(ISUD.EQ.1) GO TO 99
  DO 4I=1,13
  4 K(I)=0
  IDNO=IDNO1
  GO TO 15
25 ISUD=1
  GO TO 20
30 AH1=50.0
  GO TO 35
40 IF(IPQR.LT.50) GO TO 70
  IW=40-IO*3
  W1=FLOAT(MONY)/40.0
  SUM=SUM+FLOAT(IW)*W1
  GO TO 45
50 IF(IDNO.LT.2000) GO TO 55
  AP=16.0-FLOAT(K(13))-FLOAT(IO)
  GO TO 60
55 AP=20.0-FLOAT(K(13))-FLOAT(IO)
  GO TO 60
65 AP=FLOAT(IPQR)/2.5
  GO TO 60
70 SUM=SUM+FLOAT(MONY)
  GO TO 20
99 DO 5I=1,12
  KK(13)=KK(13)+KK(I)
  N(13)=N(13)+N(I)
  IPH(I)=KK(I)/FLOAT(N(I))
  5 CONTINUE
  DO 7I=1,12
  IOP(I)=IPH(I)+(SUM/FLOAT(N(13)))
  7 CONTINUE
  IPH(13)=KK(13)/FLOAT(N(13))
  IOP(13)=(KK(13)+SUM)/FLOAT(N(13))
  WRITE(3,300)
  DO 6I=1,12
  6 WRITE(3,301) NN(I),KK(I),N(I),IPH(I),IOP(I)
  WRITE(3,302) KK(13),N(13),SUM,IPH(13),IOP(13)
  REWIND 6
  REWIND 7
300 FORMAT(10X,38HTEACHING COST PER CLASS LEVEL PER HEAD,
  *1X,23HAND ADMINISTRATION COST/
  *24X,34H(ALL STAFFS AND SUPPORTING STAFFS)///
  *5X,5HCLASS,50X,20HTEACHING OPERATION/

```



```
*5X,5HLEVEL,5X,8HTEACHING,5X,6HNO. OF,5X,14HADMINISTRATION,  
*9X,4HCOST,7X,4HCOST/  
*6X,4HCODE,7X,4HCOST,6X,8HSTUDENTS,9X,4HCOST,12X,  
*19HPER HEAD PER HEAD/)  
301 FORMAT(7X,A2,4X,F10.2,6X,I4,12X,3H- ,12X,F7.2,4X,F7.2)  
302 FORMAT(/5X,5HTOTAL,3X,F10.2,5X,I5,6X,F10.2,3X,8HAVERAGE ,F7.2,  
*4X,F7.2)  
601 FORMAT(I3,1X,I2,4X,10I2,1X,I4,6X,I3)  
701 FORMAT(I4,4X,I5,1X,I1,1X,I1,1X,I2,1X,I2)  
STOP  
END
```

*F19 010 *

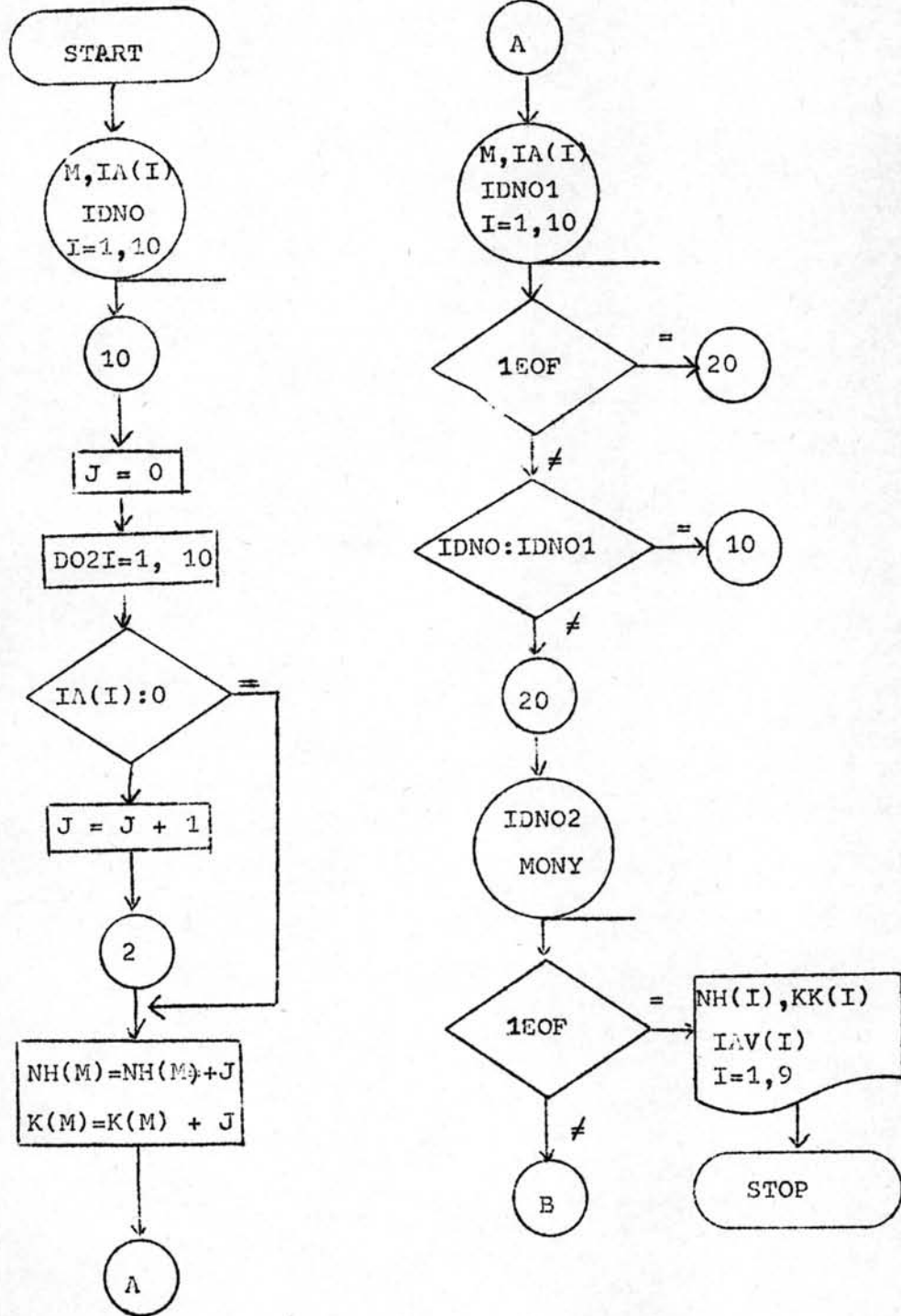
TEACHING COST PER CLASS LEVEL PER HEAD AND ADMINISTRATION COST
(ALL STAFFS AND SUPPORTING STAFFS)

CLASS LEVEL CODE	TEACHING COST	NO. OF STUDENTS	ADMINISTRATION COST	TEACHING COST PER HEAD	OPERATION COST PER HEAD
P1	20067.24	220	-	91.21	131.87
P2	20027.86	218	-	91.87	132.53
F3	23193.75	255	-	90.96	131.61
P4	22572.88	207	-	109.05	149.70
P5	31349.35	203	-	154.43	195.09
P6	35318.19	222	-	159.09	199.75
M1	30324.89	229	-	132.42	173.08
M2	29220.30	188	-	155.43	196.08
M3	24062.26	155	-	155.24	195.90
M4	31178.39	167	-	186.70	227.35
M5	27746.90	154	-	180.17	220.83
M6	2699.84	134	-	201.49	242.15
TOTAL	322061.84	2352	95621.95	AVERAGE 136.93	177.59

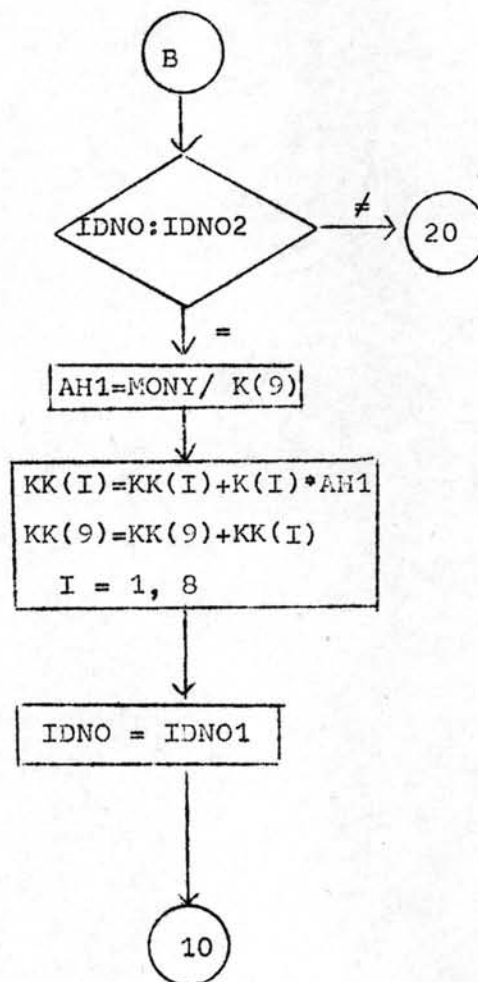
แผนก 21

แสดงผังงาน F20 โปรแกรม F20 และผลจากโปรแกรม F20

F20



F20 CONT.



```

*JOBID,NOLIST
*JOBID,*F20
*JOBID,I6
*JOBID,F12
C   PROGRAM 20
C   FIND TEACHING COST PER HOUR BY DEPARTMENT
C   TAPE =6 USE COURSE SORT COL. 32-35
C   TAPE =7 USE STAFF SORT COL. 1-4
REAL KK(9),IAV(9)
DIMENSION IA(10),NH(9),K(9)
PAUSE
ISUD=0
DO 1I=1,9
NH(I)=0
K(I)=0
KK(I)=0
1 CONTINUE
REWIND 6
REWIND 7
READ(6,601) M,(IA(I),I=1,10),IDNO
15 J=0
DO 2I=1,10
IF(IA(I).EQ.0) GO TO 10
J=J+1
2 CONTINUE
10 NH(M)=NH(M)+J
NH(9)=NH(9)+J
K(M)=K(M)+J
K(9)=K(9)+J
READ(6,601) M,(IA(I),I=1,10),IDNO1
CALL EOF(II)
IF(II.EQ.1) GO TO 25
IF(IDNO.EQ.IDNO1) GO TO 15
IF(IDNO.EQ.0) GO TO 30
20 READ(7,701) IDNO2,MONY
CALL EOF(II)
IF(II.EQ.1) GO TO 99
IF(IDNO.NE.IDNO2) GO TO 20
AH1=FLOAT(MONY)/FLOAT(K(9))
35 DO 3I=1,8
KK(I)=KK(I)+FLOAT(K(I))*AH1
KK(9)=KK(9)+FLOAT(K(I))*AH1
3 CONTINUE
IF(ISUD.EQ.1) GO TO 99
DO 4I=1,9
4 K(I)=0
IDNO=IDNO1
GO TO 15

```



```
25 ISUD=1
   GO TO 20
30 AH1=50.0
   GO TO 35
99 DO 5I=1,9
   5 IAV(I)=KK(I)/FLOAT(NH(I))/4.4
     WRITE(3,300)
     DO 6I=1,8
   6 WRITE(3,301) I,NH(I),KK(I),IAV(I)
     WRITE(3,302) NH(9),KK(9),IAV(9)
     REWIND 6
     REWIND 7
300 FORMAT(11X,36HTEACHING COST PER HOUR BY DEPARTMENT///
   *5X,47HDEPARTMENT      NO. OF      TEACHING      AVERAGE/
   *8X,4HCODE,9X,5HHOURS,7X,4HCOST,8X,8HPER HOUR/)
301 FORMAT(10X,I1,10X,I4,4X,F10.2,4X,F8.2)
302 FORMAT(/8X,5HTOTAL,7X,I5,4X,F10.2,4X,F8.2)
601 FORMAT(I1,9X,10I2,1X,I4)
701 FORMAT(I4,4X,I5)
   STOP
   END
```

*F20 010 *

TEACHING COST PER HOUR BY DEPARTMENT

DEPARTMENT CODE	NO. OF HOURS	TEACHING COST	AVERAGE PER HOUR
1	352	67148.57	39.95
2	348	83818.08	54.74
3	328	58997.58	40.88
4	266	45384.93	38.78
5	266	55924.34	47.78
6	191	38422.08	45.72
7	287	43131.04	34.16
8	34	6848.38	45.78
TOTAL	2102	399675.00	43.21

ประวัติการศึกษา

นายบุญเยี่ยม หุ่นสะดี ได้รับปริญญาครุศาสตรบัณฑิต สาขามัธยมศึกษา วิชา
เอกคณิตศาสตร์ จากจุฬาลงกรณ์มหาวิทยาลัย พ.ศ. 2512 ปัจจุบันรับราชการในตำแหน่ง
อาจารย์โท ประจำแผนกมัธยมศึกษา คณะครุศาสตร์ จุฬาลงกรณ์มหาวิทยาลัย

