



บรรณานุกรม

- Bertin, E.P. "PRINCIPLES AND PRACTICES OF X-RAY SPECTROMETRIC ANALYSIS." New York : Plenum Press, 1969.
- Birks, L.S. " X-RAY SPECTROCHEMICAL ANALYSIS." 2nd ed. New York : John Wiley & Sons, 1969.
- Cameron, J.F. and Rhode, Jr. "MEASUREMENT OF TINPLATE THICKNESS USING FLUORESCENT X-RAY EXCITED BY A RADIOACTIVE SOURCE." London : Isotope Division, Atomic Energy Research Establishment , 1970.
- Cullen, T. and Petruna, P. "THICKNESS AND HARDNESS MEASUREMENT OF ELECTRODEPOSITS." Plating (American electroplaters' Society), 1967.
- Cullity, B.D. "ELEMENT OF X-RAY DIFFRACTION." 2nd ed. New York : Addison-Wesley, 1978.
- Jenkins, R. "AN INTRODUCTION TO X-RAY SPECTROMETRY." London : Heyden & Son, 1974.
- Jenkins, R. and De Vries, J.L. "PRINCIPLE X-RAY SPECTROMETRY." 2nd ed. London : The Macmillan Press, 1975.
- Watt, J.S. "NUCLEAR TECHNIQUES FOR ON-LINE MEASUREMENT AND CONTROL OF MINERAL PROCESSING." Vienna : IAEA , 1977.

ภาคผนวก ก

ต้นกำเนิดรังสีเอกซ์ที่ใช้ในการทดลอง

Iron-55

Primary X-ray sources

Annular sources

Iron-55 electrodeposited as iron metal on a copper ring with tungsten alloy backing, sealed in a welded stainless steel capsule with beryllium window.

X.87/5

Capsule	Nominal activity*		Typical photon output in photons/sec per steradian Mn K X-rays	Code
	mCi	MBq		
X.87/5	1	37	6×10^5	IEC.8753
	5	185	3×10^6	IEC.8755
	20	740	1.2×10^7	IEC.8758

*Tolerance $\pm 10\%$

Availability: within 4 weeks

Recommended working life: 5 years

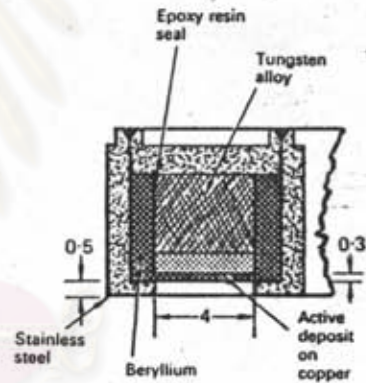
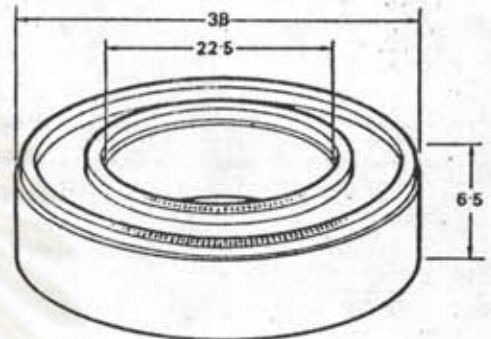
Quality control

- Wipe test A
- Bubble test D
- Immersion test L

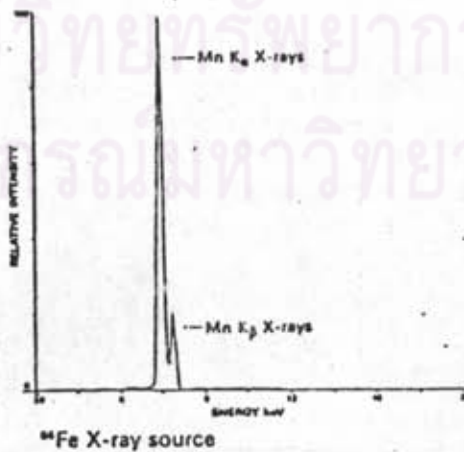
Photon emission checked using a Si(Li) detector.
Total γ -impurities checked using a 75 x 75mm NaI crystal.

Total gamma impurities over 100keV ($^{54}\text{Mn} + ^{59}\text{Fe}$) < 0.1%
Principal emission: 5.9keV (Mn K X-rays).

Material with lower impurity levels is normally available, details on request.



Safety performance testing



ศูนย์วิทยุทางการแพทย์
จุฬาลงกรณ์มหาวิทยาลัย

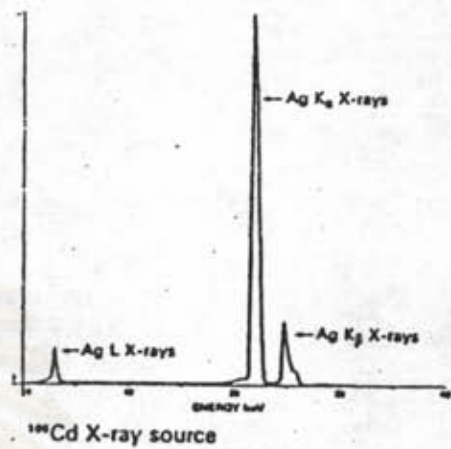
ต้นกำเนิดรังสีเอกซ์ที่ใช้ในการทดลอง (ต่อ)

Cadmium-109
γ and primary X-ray sources

Cadmium-109 (cyclotron produced) is electroplated on a silver disc, sealed in a welded monel capsule with brazed beryllium window for disc sources.

For annular sources, the cadmium-109 is electroplated on a silver ring with tungsten alloy backing, sealed in a welded stainless steel capsule with beryllium window.

These sources all emit Ag K X-rays, 88keV γ-rays and some fluorescent X-rays produced in the source backing.



Type	Capsule	Nominal activity*		Typical photon output in photons/sec per steradian Ag K X-rays	Code
		mCi	MBq		
Annular	X.87/3	3	111	7.5×10^6	CUC.8733
		5	185	1.25×10^7	CUC.8734
		10	370	2.5×10^7	CUC.8735
		20	740	5.0×10^7	CUC.8736

*Tolerance ± 10%

Availability: within 4 weeks

Recommended working life: 5 years

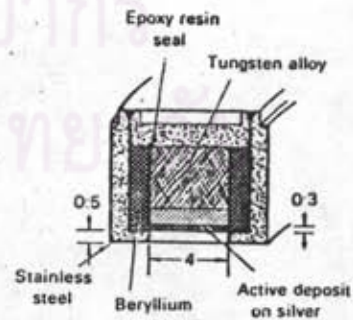
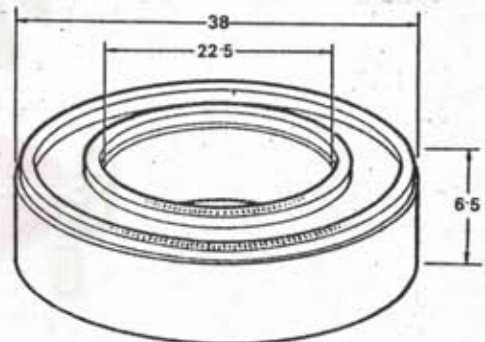
Quality control

- Wipe test A
- Bubble test D
- Immersion test L

Photon emission checked on a Si(Li) detector.

Total γ-impurities checked using a 75 x 75mm NaI crystal.

X.87/3



Safety performance testing

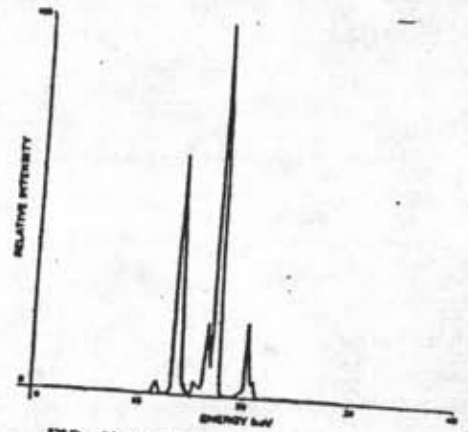
ต้นกำเนิดรังสีเอกซ์ที่ใช้ในการทดลอง (ต่อ)

Plutonium-238

Primary X-ray sources

Plutonium-238 incorporated in a ceramic enamel recessed into a stainless steel support with tungsten alloy backing, sealed in a welded monel capsule with brazed beryllium windows for disc sources; or in a stainless steel capsule with beryllium window for annular sources.

Principal emissions: U L X-rays.



²³⁸Pu X-ray source (emitting U L X-rays)

Type	Capsule	Nominal activity* mCi GBq	Typical photon output in photons/sec per steradian 17.2keV	Code
Annular	X.87/2	10 0.37	1.5×10^6	PPC.8724
		30 1.11	4.5×10^6	PPC.8725
		100 3.7	1.3×10^7	PPC.8726

*Tolerance $\pm 10\%$

Availability: within 10 days

Recommended working life: 10 years

Quality control

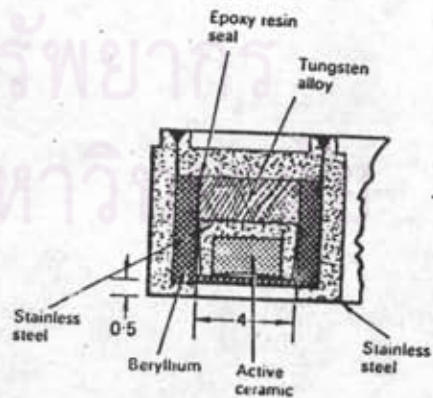
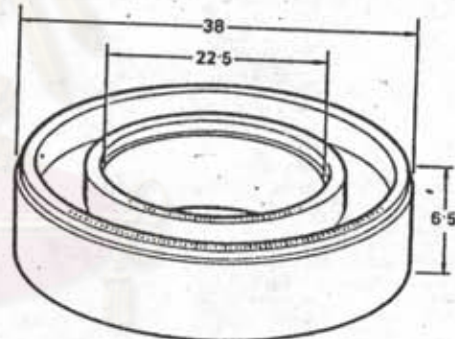
- Wipe test A
- Bubble test D
- Immersion test L

Photon emission and spectral purity checked using Si(Li) and Ge(Li) detectors.

Neutron emission

The plutonium-238 sources emit $\sim 10^4$ n/sec per Ci due to (α, n) reactions with the low atomic number elements (for examples Si, Al, O) in the active material. The use of beryllium windows does not increase this emission significantly.

X.87/2



Safety performance testing

คุณสมบัติและลักษณะของหัววัดรังสีแบบพรอพอร์ชันแนล

LND 422B SERIES

QUADRALATERAL SIDE WINDOW PROPORTIONAL COUNTER

The LND 422B series is a vacuum sealed thin Beryllium window proportional counter. By virtue of its unique quadralateral aluminum cathode construction, the 422B series offers uniform path length over the entire window, greater gas volume, and extreme sensitivity for low energy electrons and gamma or x-rays $<10 \text{ \AA}$. This tube has been specifically designed to endure the rigors of space applications and will successfully operate in environments from 0 to 1.5 atmospheres.

GENERAL SPECIFICATIONS

Cathode Material:	Aluminum
Operating Temperature Range:	-40°C to +75°C
Gas Filling Available:	Neon Argon Krypton Xenon
Gas Pressure:	760 mm/Hg
Maximum Width:	1 inch
Maximum Length:	3 3/4 inches
Path Length:	.75 inches

WINDOW SPECIFICATIONS

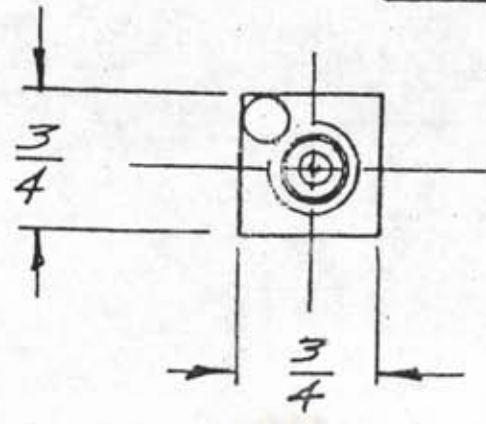
Effective Length x Width	0.187 X .812 inches
Density: (Areal)	9.2 mg/cm ²

ELECTRICAL SPECIFICATIONS

Plateau Length:	250 volts minimum
Plateau Slope:	3%/100 volts maximum
Operating Voltage Range (Argon):	1600-1900
Connector:	MHV
Typical Resolution with Fe55:	16-18% FWHM
Capacitance:	4 pf maximum
Efficiency with Fe55:	>70% (Xenon)

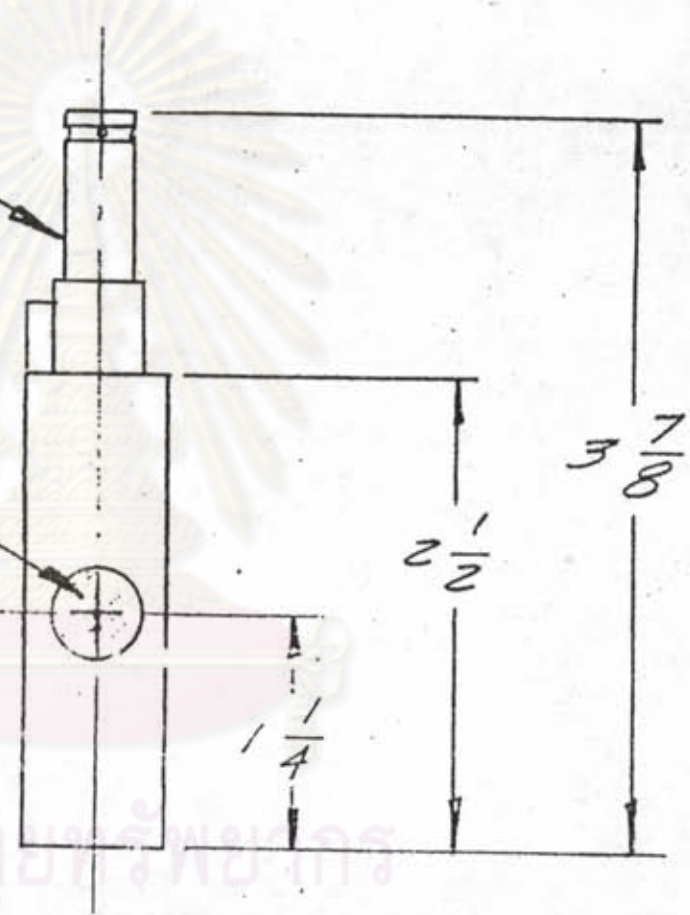
- NOTE: 1. Argon is the standard fill. If Neon, Krypton or Xenon is desired, add N, K, or X after tube type.
2. The LND 422B is available upon special request with an exit window.

REV	DESCRIPTION	DATE	APPD
-----	-------------	------	------



CONNECTOR MHV

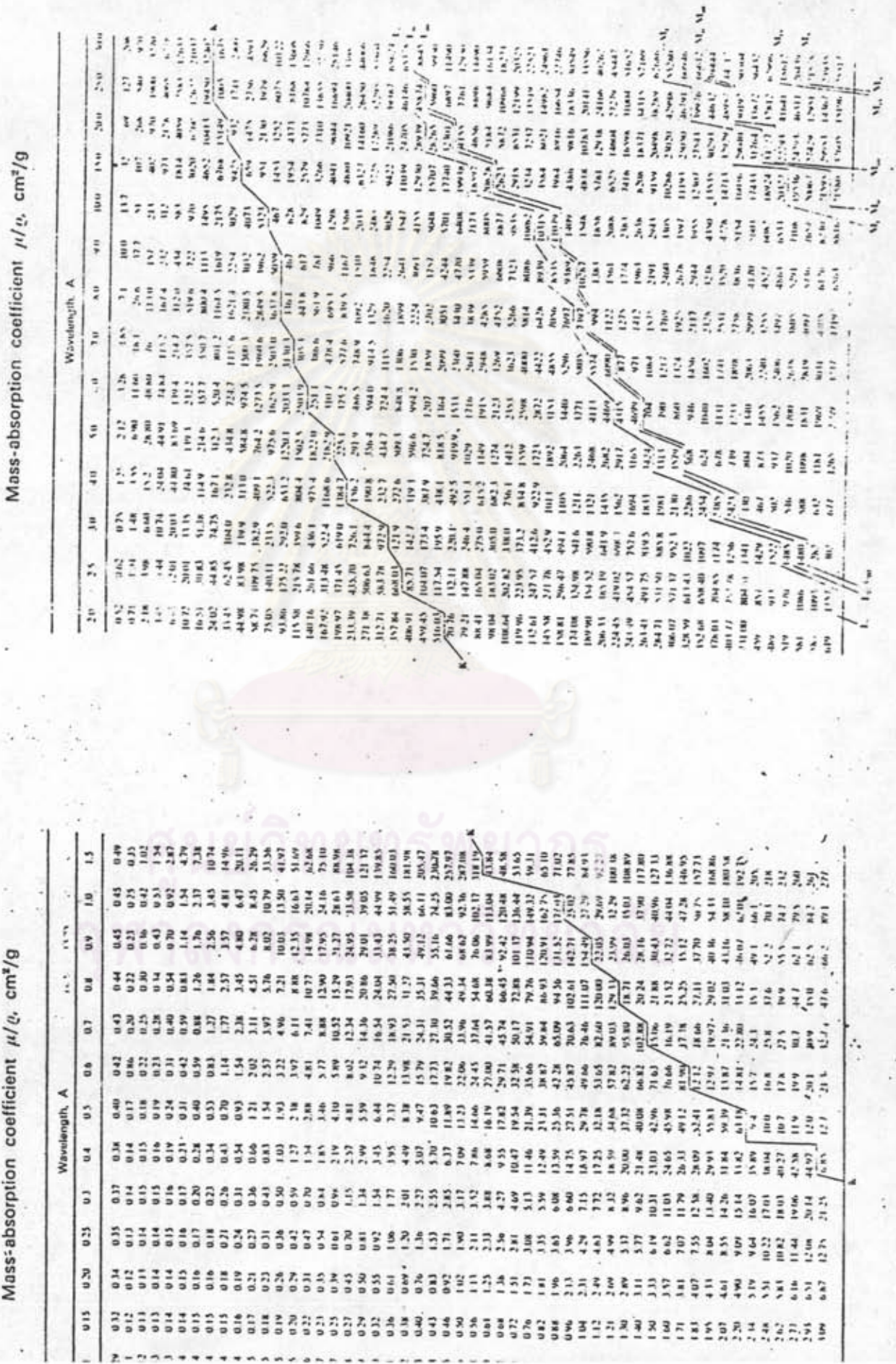
.002 BERYLLIUM WINDOW



ศูนย์วิทยุโทรคมนาคม
จุฬาลงกรณ์มหาวิทยาลัย

MATERIAL <i>ALUM</i>		TOL UNLESS OTHERWISE SPECIFIED	LND, INC.	
BLANK SIZE <i>~</i>		FRAC & 1/64 DEC & .008 ANG & 1°	3230 LAWSON BLVD.	OCEANSIDE, N. Y.
DRAWN BY <i>L. J. T. 7/4/73</i>		SCALE <i>1:1</i>	TITLE <i>SQUARE, SIDE WINDOW, PROPORTIONAL COUNTER</i>	
APP'D BY		421-1	TUBE TYPE <i>421</i>	PART NO. <i>421-2</i>
				REV

ตารางแสดงค่าสัมประสิทธิ์การดูดกลืนเชิงมวลของธาตุ

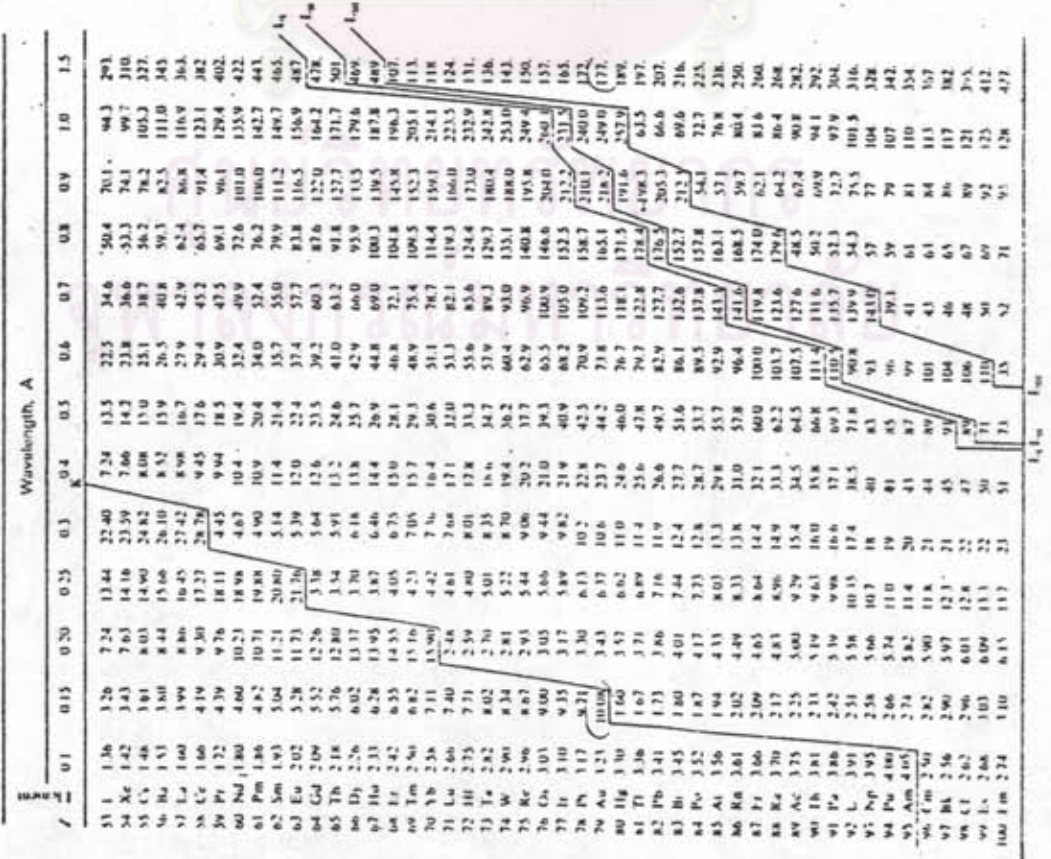


Ably, H. G., Pfeiffer, L. H., Winslow, and P. D. Zeman, "X-Rays, Electrons, and Analytical
 X-ray Data," NBS Monograph No. 35, U.S. Government Printing Office, Washington, D.C., 1961.

Mass-absorption coefficient $\mu/\rho, \text{cm}^2/\text{g}$



Mass-absorption coefficient $\mu/\rho, \text{cm}^2/\text{g}$





ประวัติผู้เขียน

นายณฤพวิจักษ์ เงินวิจิตร เกิดเมื่อวันที่ 28 ธันวาคม พ.ศ. 2502
สำเร็จการศึกษาชั้นอุดมศึกษาจากภาควิชาวิทยาศาสตร์ทั่วไป คณะวิทยาศาสตร์
มหาวิทยาลัยเกษตรศาสตร์ ในปี พ.ศ. 2526



ศูนย์วิทยทรัพยากร
จุฬาลงกรณ์มหาวิทยาลัย