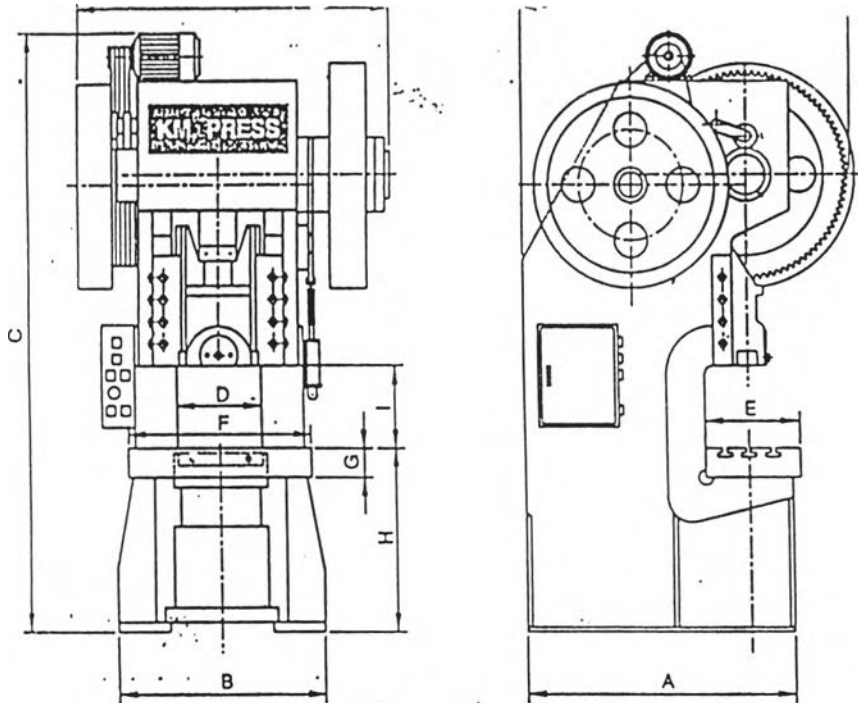




REFERENCES

- Barish, NN. & Kaplan, S. Economic Analysis for Engineering and Management Decision Making. 2nd Edition. New York: Mc-Graw Hill Book Company, 1978.
- Chuwalit K. Summary of Principle Die Working Force Calculation. Bangkok: King Rama 4 Institute of Technology, 1986.
- David A. Smith. Die Design Handbook. Society of Manufacturing Engineers. New York: Prentice Hall Inc., 1990.
- Donald F. Earg & Edward A. Reed. Techniques of Press working Sheet Metal. New York: Prinetice-hill, Inc., 1974.
- Eddie Norman Joyce Riley Syd Ury Mike Whittaker. Advanced Design and Technology. Singapore: Longman Inc., 1990.
- Grant, E.L. & Ireson, W.G. Principle of Engineering Economy. 5th Edition. New York: Ronald Press Company, 1994.
- Julsiri Srikampong, Principle of Pressworking Die. Bangkok: King Rama 4 Institute of Technology Thonburi, 1992.
- Riggs, J.L. Production Systems and Planning Ananalysis and Control. London: John Wiley and Sons, Inc., 1971.
- Samuelson, P.A. Economics. 8th Edition. International Student Edition. New York: Mc-Graw Hill Book Company, 1971.
- Wanchai Richirawanich and Chaum Ploymeekar. Engineering Economy. Bangkok: Chulalonglorn University, 1986.

APPENDICES

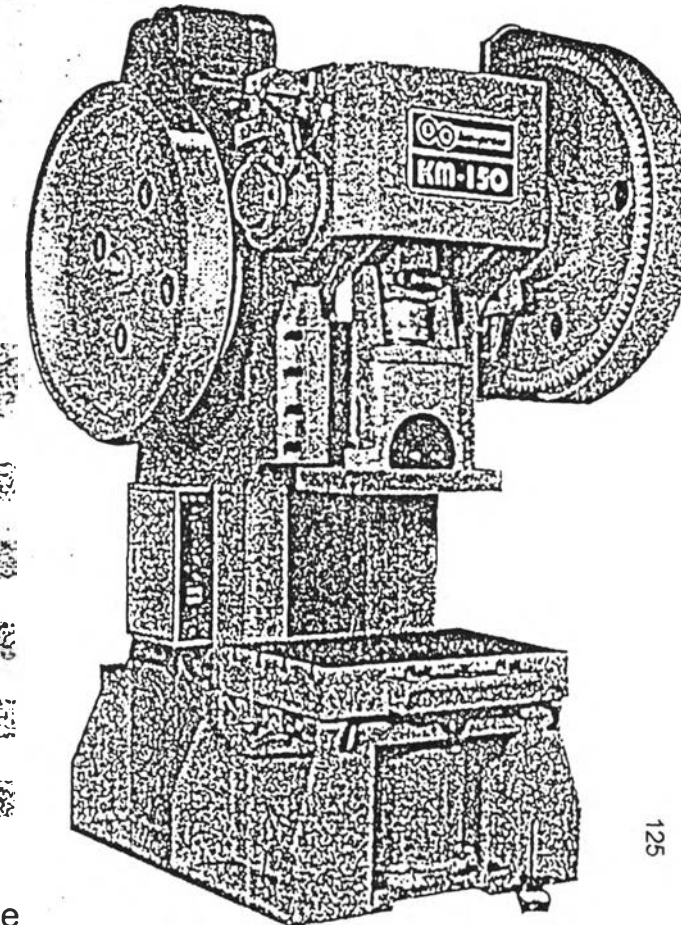


A	700	775	875	900	1200	1250	1300	1500	1500	1750
B	625	675	800	850	975	1025	1025	1200	1200	1200
C	1775	1950	2125	2250	2525	2575	2650	3250	3250	3375
D	250	275	350	375	450	475	475	525	525	525
E	350	400	450	450	500	600	600	700	700	700
F	550	600	700	750	800	900	900	1125	1125	1125
G	75	87	93	100	125	137	150	175	175	200
H	675	687	700	700	725	737	750	775	775	800
I	275	300	350	350	450	475	475	550	550	550
J	975	1025	1150	1225	1350	1500	1500	1625	1625	1650
K	1025	1075	1200	1275	1400	1550	1550	1700	1700	1750

K.M. PRESS.

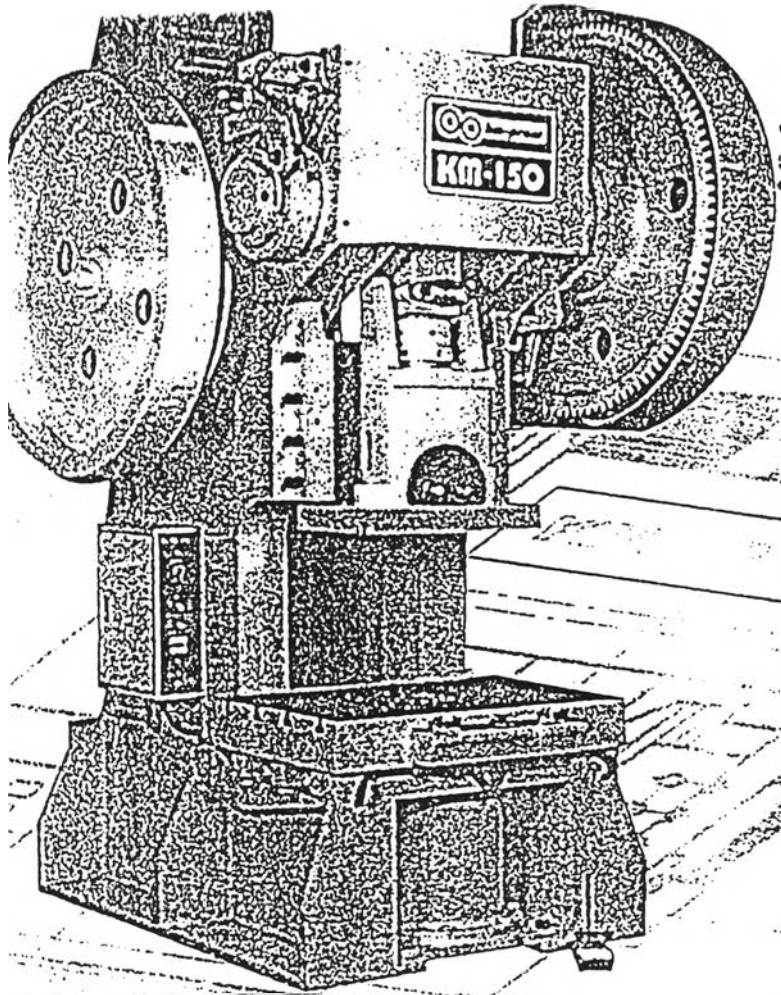
COMPACT POWER PRESS 25 - 250 Tons.

Specifications			Model								
			KM-25	KM-35	KM-45	KM-60	KM-80	KM-120	KM-150	KM-200	KM-250
Capacity	กำลังเครื่อง	Tons	25	35	45	60	80	120	150	200	250
Crank Shaft	เพลา	mm.	87	100	112	125	150	175	200	250	300
Stroke Length	ช่วงชัก	mm.	75	100	100	112	125	125	125	125	125
Slide Adjustment	ระยะปรับสไลด์	mm.	30	30	50	50	50	75	75	100	100
Die Height	ระยะใส่พิมพ์	mm.	200-170	200-170	238-188	250-200	325-275	350-275	350-275	425-325	425-325
Table Area E x F	ขนาดพื้นที่	mm.	350x550	400x600	450x700	450x750	500x800	600x900	600x900	700x1125	700x1125
Hole at Bolster Plate	รูบนพื้น	mm.	Ø125	Ø150	Ø142	Ø142	Ø175	Ø175	Ø175	Ø200	Ø200
Shank Hole	รูบนคานพิมพ์	mm.	Ø38	Ø50	Ø50	Ø50	Ø50	Ø50	Ø50	Ø75	Ø75
Stroke per Minute	รอบชัก/นาที	S.P.M.	50	40	40	38	32	30	28	28	25
Main Motor	ขนาดมอเตอร์	HP	3	5	5	7.5	7.5	10	10	20	25
Weight	น้ำหนัก	kg.	1070	1560	2350	2875	5200	7800	8200	13500	14500



Appendix A The specification of press machine

KM - SERIES COMPACT POWER PRESS 25 - 250 tons



ขนาดเครื่องบีบ Capacity (ton)	ราคา (บาท) Price (Bht.)	อุปกรณ์ไฟฟ้า-ชุดนิวแมติก (บาท) Electric-Pneumatic (Bht.)	อุปกรณ์บีบโยกจารบี (บาท) Hand Grease Oiler (baht/set)	ค้อนพร้อมอุปกรณ์ (บาท) Die Cushion (baht/set)	ราคาสุทธิ (บาท) Total (Bht.)
25	96,000	32,000	14,800	-	142,800
35	130,000	32,000	14,800	-	176,800
45	175,000	32,000	14,800	-	221,800
60	240,000	32,000	14,800	58,000	344,800
80	350,000	35,000	14,800	75,000	474,800
120	510,000	35,000	14,800	75,000	634,800
150	630,000	35,000	14,800	75,000	754,800
200	795,000	35,000	14,800	85,000	929,800
250	900,000	35,000	14,800	85,000	1,034,800

หมายเหตุ : 1. เครื่องบีบขนาดต่าง ๆ นั้น จะไม่ติดตั้งอุปกรณ์ไฟฟ้า-นิวแมติก ก็ได้ แล้วยัง "ผู้ซื้อ"

2. ราคาเครื่องบีบดังกล่าวนี้เป็นราคาที่รวมค่าขนส่งแล้ว ระยะเวลาภายในกรุงเทพฯ หรือเขตปริมณฑล ถ้าเป็นต่างจังหวัด "ผู้ซื้อ" จะเป็นผู้ออกค่าขนส่งเองทั้งหมด
3. ราคาเครื่องบีบดังกล่าวอาจมีการเปลี่ยนแปลงได้โดยไม่ต้องแจ้งให้ทราบล่วงหน้า
4. ราคาดังกล่าวยังไม่ได้รวมภาษีมูลค่าเพิ่ม 7%

- Remark :
1. Electric-Pneumatic is optional and excluded from press machine unit.
 2. Press machine price is inclusive of transportation cost within Bangkok and surrounding areas. Transportation cost will be applied for other areas.
 3. Price is subjected to change without advance notice.
 4. All the price are exclude VAT 7%

KM หจก. เค. เอ็ม. เพรส (เค็กม้อ)
PRESS K.M. PRESS LTD.,PART.

334 หมู่ 4 ต.เศรษฐกิจ 1 ต.ท่าไม้ อ.กระทุ่มแบน จ.สมุทรสาคร 74110

โทรศัพท์ : 02-8101069, 02-4291620, 034-473661-3 โทรสาร : 034-471618

334 Moo 4 Sothakit 1 Rd., Tamal Kratumban Samutsakorn 74110 Thailand.

Tel : 02-8101069, 02-4291620, 034-473661-3 Fax : 034-471618

<http://www.kmpressekmo.com>

Appendix B The price list of press machine

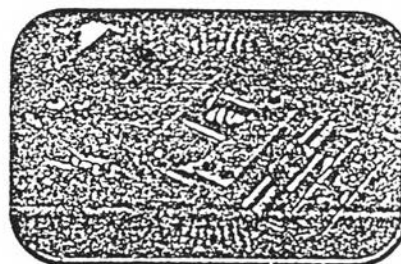


AIR FEEDER MACHINE

AF SERIES

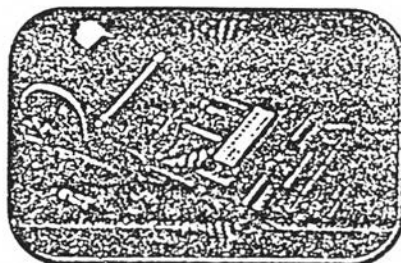
STANDARD TYPE

Suitable for plastic and metal strip feeder capacity 0 ~ 450 mm width, 0.1~3.0 mm thick strips of round or irregular section special attachment : over AF- 4C for extra-force



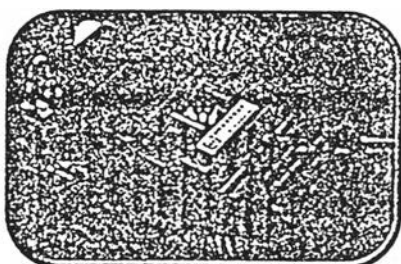
STANDARD TYPE (AIR FEEDER)

Can be set up a type release valve. It must be in used for high precision product feeding. Also, it may use R release valve to release the fixed clamp for correcting the tolerance of feeding material



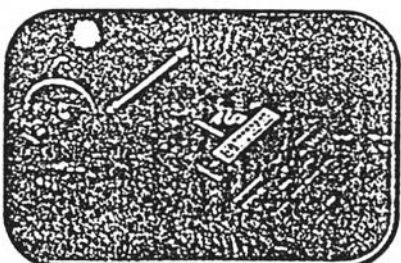
E - TYPE ELECTROMAGNETIC VALVE

If the press stroke were shorter or longer to feed material while it might be set up E type electromagnetic valve.



STANDARD TYPE (AIR FEEDER)

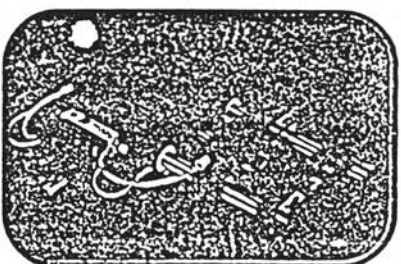
Can also one set up both R type release valve & E1 type electromagnetic valve same time it must be in used for high precision product feeding also it may have same efficient above (2) & (3)



The slideways on models over AF - 7CS employs round guide for maximum wear resistance and added straightness accuracy.

Price from 62,000- 96,800 Baht

Price is subjected to change without advance notice



GROUP 2

MODELS	AF-2C	AF-3C	AF-4C	AF-5C	AF-6C	AF-7C	AF-8C	AF-9C	AF-10C	AF-11C	AF-12C
Maximum width (mm)	60	80	100	150	210	270	300	350	400	450	450
Maximum length (mm)	70	80	125	150	210	270	300	350	400	450	450
Thickness of material (mm)	0.8	1.2	1.5	2.0	2.5	3.0	3	3	3	3	3
Air pressure (kg/cm ²)	4.5	4.5	4.5	4.5	4.5	4.5	4.5	4.5	4.5	4.5	4.5
Max feeding speed (s.p.m)	200	180	130	100	80	55	50	40	40	30	30
Fixed clamp force (kg)	30	45	60	85	120	120	120	123	123	123	123
Movable clamp force (kg)	53	68	85	155	178	200	217	220	245	245	245
Tension (mm)	16.5	19.5	25.5	41	41	67	74	77	85	85	85
Air consumption (l/min)	32	42	53	105	105	132	130	152	165	175	185
Weight including tools (kg)	9.6	12.8	19.6	38.4	52.4	80	95	156	178	200	230





Appendix D Uncoiler machine , specification and price.

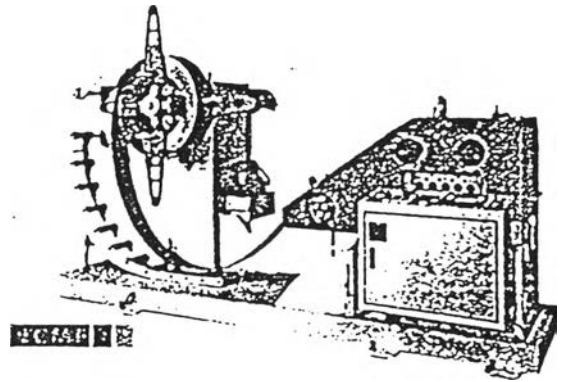
NCMF - 300 / 400 / 500 / 600

NCMF - TYPE

MATERIAL WIDTH : MAX 300 mm
 : MAX 400 mm
 : MAX 500 mm
 : MAX 600 mm

MATERIAL TICKNESS : 0.6 - 6.0 mm

COIL WEIGHT : 2000 / 5000 kgf

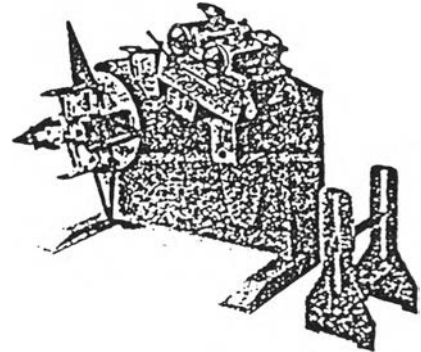


UNCOILER WITH STRAIGHTENER SERIES

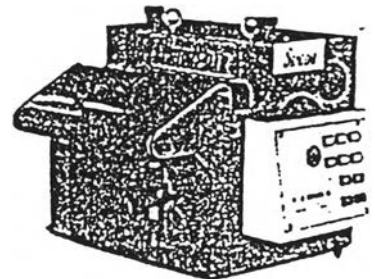
MATERIAL WIDTH : MAX 200 mm
 : MAX 300 mm
 : MAX 400 m
 : MAX 500 mm
 : MAX 600 mm

MATERIAL TICKNESS : 0.5 - 3.2 mm

COIL WEIGHT : 1000 / 5000 kgf



NC ROLL FEEDER

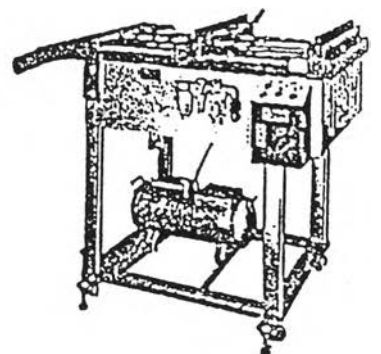
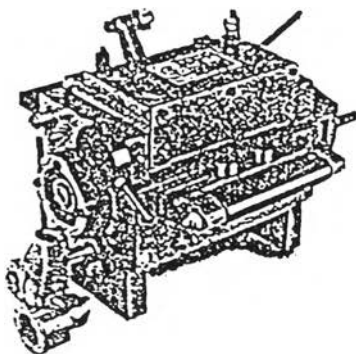


USER FRIENDLY CONTROL PANEL

Price from 11,000- 379,000 Baht

Price is subjected to change without advance notice

MODELS	NCF - 200	NCF - 300	NCF - 400	NCF - 500	NCF - 600
COIL WIDTH (mm)	200	300	400	500	600
COIL THICKNESS (mm)	2.0x200/3.2x100	2.0x300/3.2x120	1.5x400/3.2x150	1.2x500/3.2x200	1.0x600/3.2x250
FEEDING LENGTH (mm)	9999.99	9999.99	9999.99	9999.99	9999.99
MAX. FEEDING SPEED (m/min)	125	125	125	100	100



BIOGRAPHY

Smuch Anantaburi was born on December 3, 1969 in Narathiwat. He obtained a B.Eng. major in Advanced Manufacturing Technology in Monash University in Australia. After that he had worked for 6 years and then pursue a further study in a Master Degree at Chulalongkorn University in the Region Centre of Manufacturing System Engineering.

